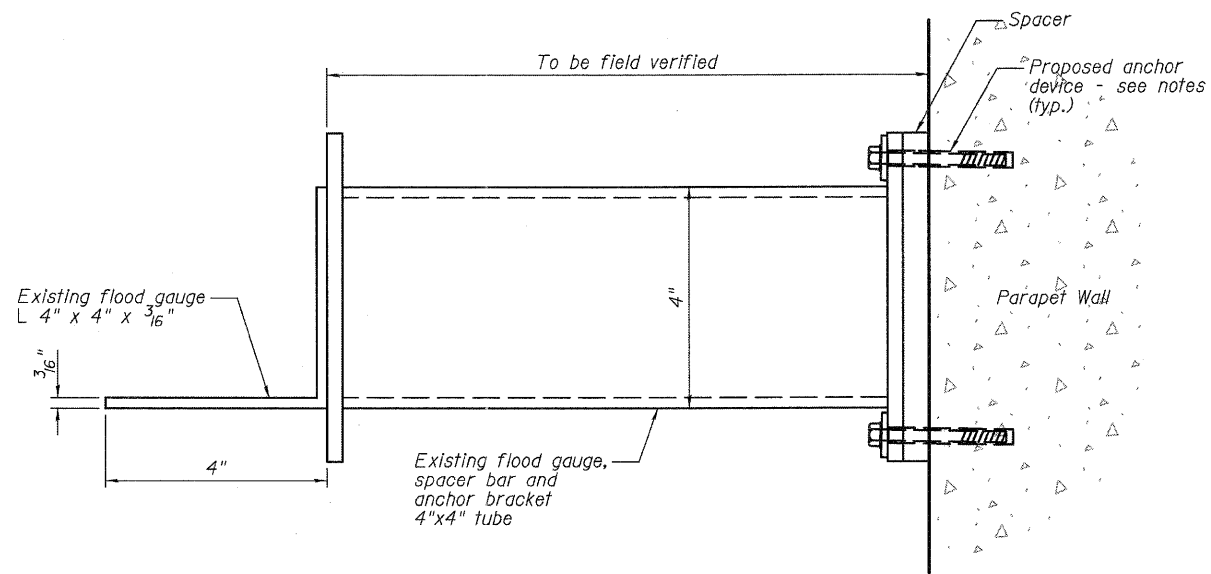
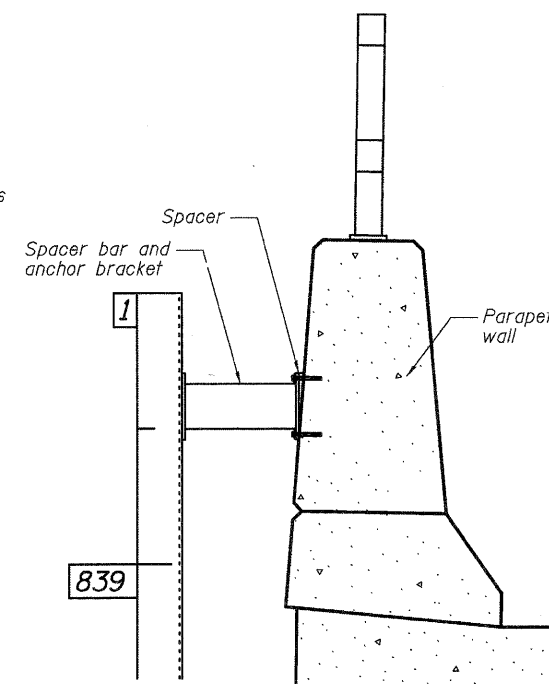


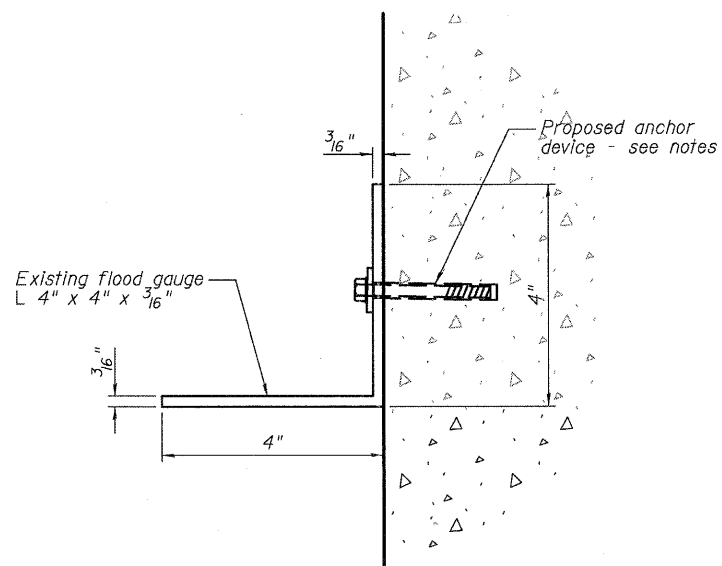
**MOUNTING DETAIL - PIER 1**  
Sta. 17+59.28



**ANCHOR DETAIL - PARAPET WALL**  
Section A-A



**ANCHOR DETAIL - PARAPET WALL**



**ANCHOR DETAIL - PIER**  
Section B-B

**Flood Gauge Notes:**

1. The Contractor shall carefully remove and salvage the existing flood gauge and anchoring brackets from the northwest corner of the existing pier.
2. The Contractor shall re-attach the flood gauge to a location directed by the City of DeKalb Street Department at 1316 Market Street. The City will clean and provide any repairs required to the flood gauge. Once the City has completed their work on the flood gauge, the Contractor will be notified to pick up the flood gauge and reinstall it on the northwest corner of the proposed pier.
3. The Contractor will be required to provide all necessary brackets/spacers and anchoring devices to secure the flood gauge to the proposed pier and parapet wall.

**Submittals:**

1. Prior to re-attaching the flood gauge to Pier 1, the Contractor will be required to submit anchoring details and list of connection materials to the Resident Engineer for approval.

**Payment:**

1. Removing and relocating the flood gauge will not be measured for payment but shall be included in the cost of Removal of Existing Structures.

FILE NAME = \\A:\Projects\2010\100054 - Berthel\Bentley\Asado\Structural\Draw\100054-024-FloodGauge.dgn

**WILLIS BURKE KELSEY ASSOCIATES LTD.**  
119 West Main Street, Suite 201  
St. Charles, Illinois 60174  
(630) 443-7755

USER NAME = *USER*	DESIGNED - SBP	REVISED -
PLOT SCALE =	CHECKED - AEU	REVISED -
PLOT DATE = 7/6/2011	DRAWN - NDP	REVISED -
	CHECKED -	REVISED -

**STATE OF ILLINOIS  
DEPARTMENT OF TRANSPORTATION**

**FLOOD GAUGE DETAIL  
STRUCTURE NO. 019-6107**

SHEET NO. 24 OF 24 SHEETS

F.A.U. RTE.	SECTION	COUNTY	TOTAL SHEETS	SHEET NO.
5355	04-00167-00-BR	DEKALB	88	70
CONTRACT NO. 87491				
FED. ROAD DIST. NO. ILLINOIS FED. AID PROJECT				