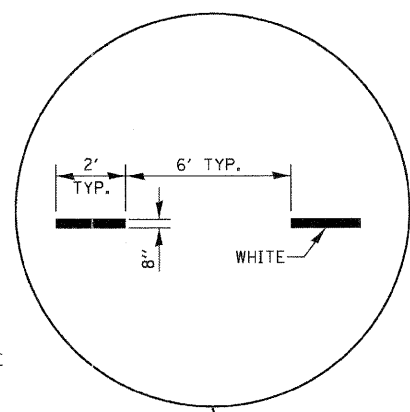


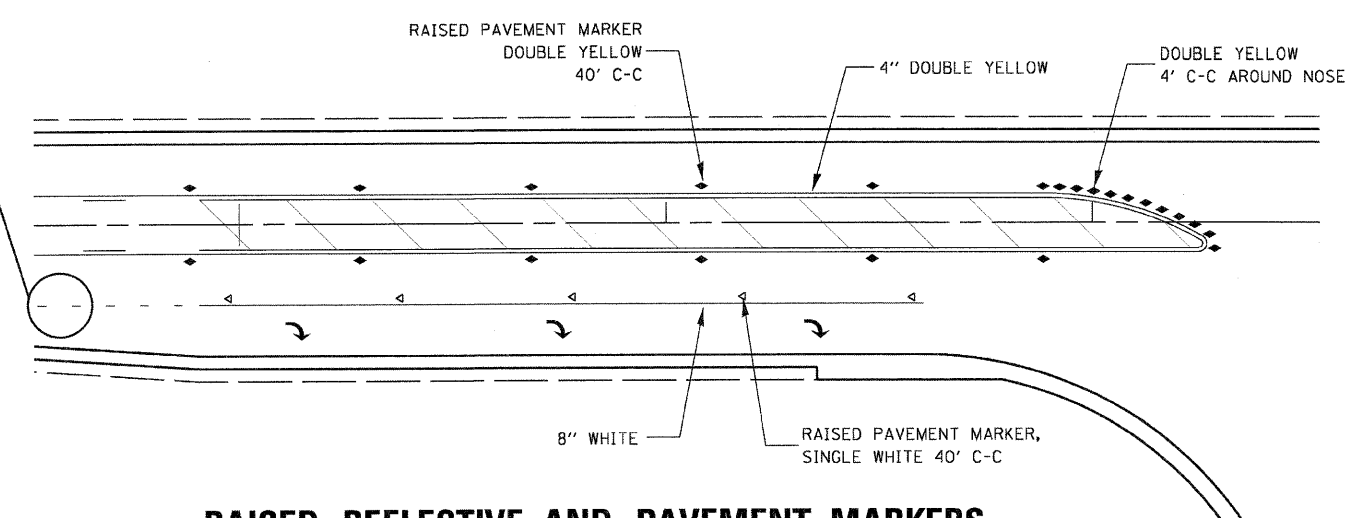
**TYPICAL APPLICATION
@ LEFT TURN LANES** 780-1



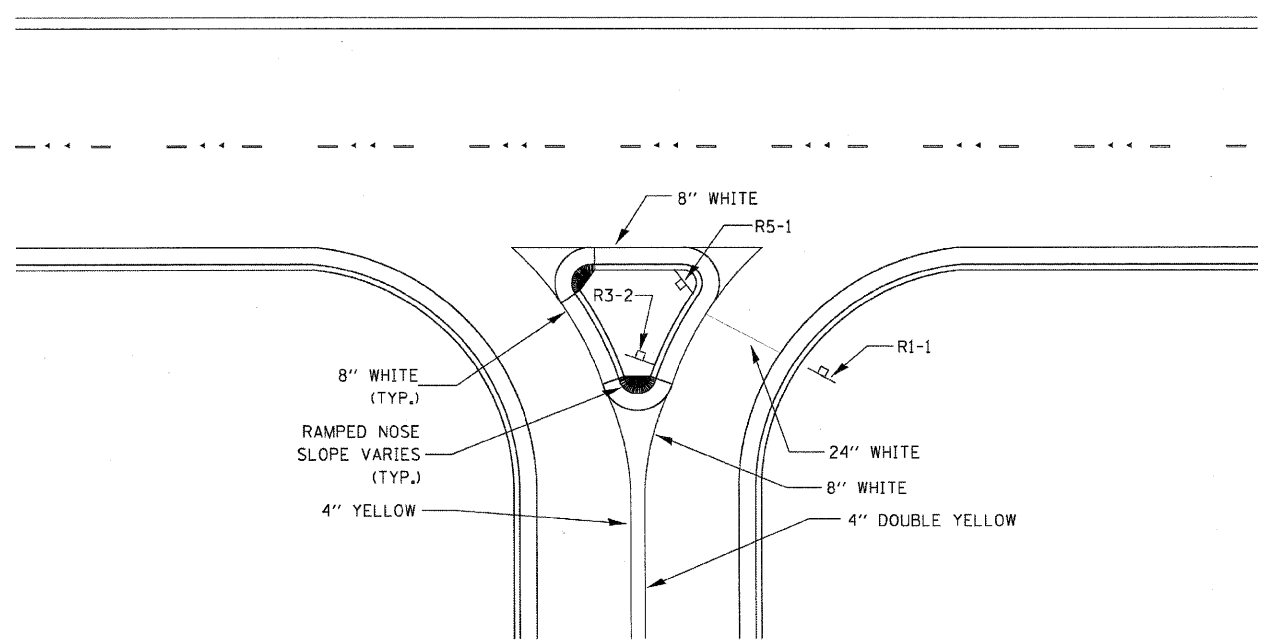
**ADVANCE AND INTERSECTION LANE
DIVIDER LINES**

URBAN PAVEMENT MARKING

780-5



**RAISED REFLECTIVE AND PAVEMENT MARKERS
@ RIGHT TURN LANE** 781-1



RIGHT IN RIGHT OUT ACCESS PAVEMENT MARKING 780-16

FILE NAME = W:\Projects\2010\200854_Berthelg\Lead\Civil\Drawn\Sta\DT-5.dgn

WBK
WILLS BURKE KELSEY ASSOCIATES LTD.
116 West Main Street, Suite 201
St. Charles, Illinois 60174

USER NAME = nporris	DESIGNED -	REVISED -
PLOT SCALE =	DRAWN -	REVISED -
PLOT DATE = 7/6/2011	CHECKED -	REVISED -
	DATE - 7/8/11	REVISED -

**STATE OF ILLINOIS
DEPARTMENT OF TRANSPORTATION**

DISTRICT 3 STANDARD DETAILS	
SCALE:	TO STA.
SHEET NO. 73 OF 88 SHEETS	STA.

F.A.U. RTE.	SECTION	COUNTY	TOTAL SHEETS	SHEET NO.
5355	04-00167-00-BR	DEKALB	88	73
CONTRACT NO. 87491				
FED. ROAD DIST. NO. 3 [ILLINOIS] FED. AID PROJECT				