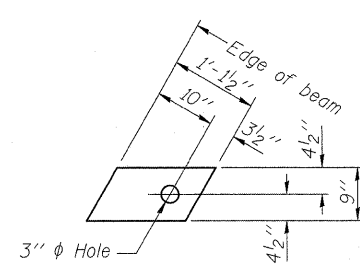


**FABRIC BEARING PAD**  
(Interior)

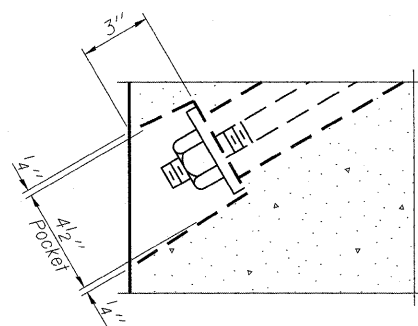


**FABRIC BEARING PAD**  
(Exterior)

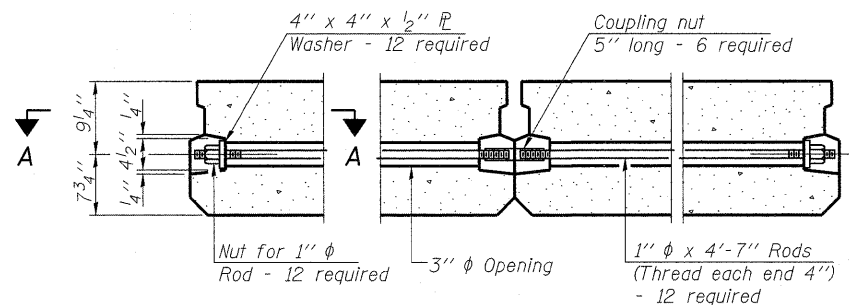
**Notes:**

**FIXED**

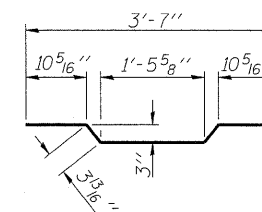
All bearing pads shall be 1" thick.  
Omit holes when using expansion bearings.  
Expansion bearing pad shall be bonded to the substructure.



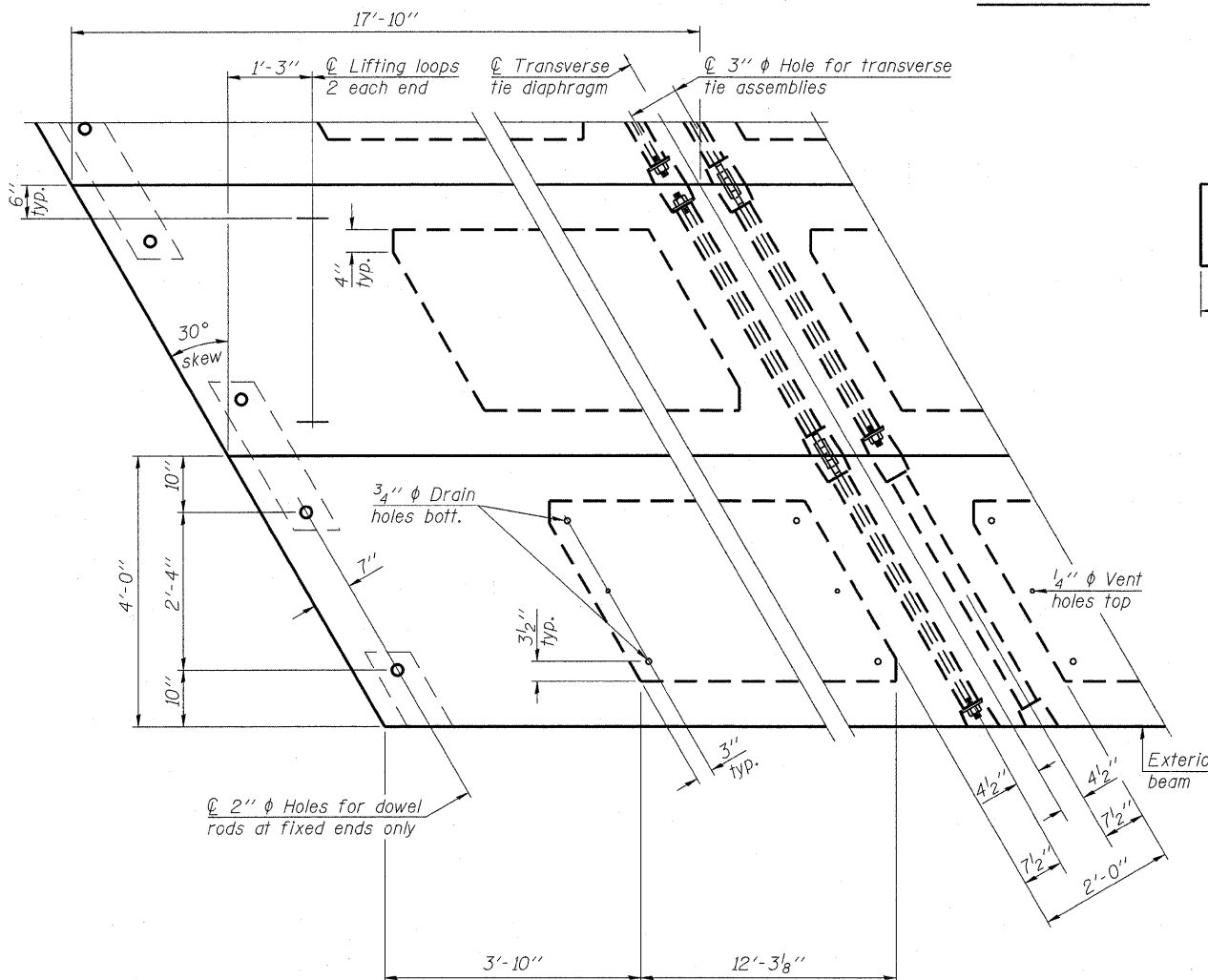
**SECTION A-A**



**TYPICAL TRANSVERSE TIE ASSEMBLY**



**BAR A1(E)**



**PLAN VIEW**

**NOTES**

Prestressing steel shall be uncoated high strength, low relaxation 7-wire strand, Grade 270. The nominal diameter shall be 1/2" and the nominal cross-sectional area shall be 0.153 sq. in. The 1" rods in the transverse tie assembly shall be tightened to a snug fit and the threads set. Pockets on exterior faces of bridge shall be filled with grout after transverse tie assembly is in place.  
Reinforcement bars shall conform to ASTM A 706, Grade 60. (See Special Provisions).  
Two 1/8" fabric adjusting shims of the dimensions of the exterior bearing pad shall be provided for each bearing pad location.  
A minimum 2 1/2" phi lifting pin shall be used to engage the lifting loops during handling.  
Corrosion Inhibitor, per Article 1020.05(b)(12) and 1021.06 of the Standard Specifications, shall be used in the concrete for precast prestressed concrete deck beams.  
Compressive strength of prestressed concrete, f'c, shall be 6000 psi.  
Compressive strength of prestressed concrete at release, f'ci, shall be 5000 psi.

**STATE OF ILLINOIS**  
**DEPARTMENT OF TRANSPORTATION**

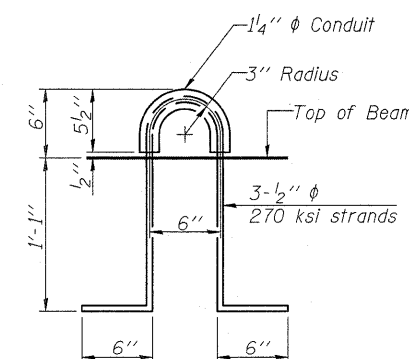
**17"x48" PPC DECK BEAM DETAILS (END SPANS)**  
**STRUCTURE NO. 082-4158**

SCALE: N/A SHEET NO. 8 OF 16 SHEETS STA. 34+16.75 TO STA. 35+27.25

**BILL OF MATERIAL FOR ONE END SPAN**

Precast Prestressed Conc. Deck Bms. (17" depth)	Sq. Ft.	1001
---	---------	------

**LIFTING LOOP DETAIL**



Note: Connect beams in pairs with the transverse tie configuration shown.

FILE NAME = 53173-bridge sheets.dgn

DESIGNED - K. HEFFERN  
DRAWN - C. BECKER  
CHECKED - C. EPPERLY  
DATE - NOVEMBER 2010

REVISED -  
REVISED -  
REVISED -  
REVISED -

F.A. RTE.	SECTION	COUNTY	TOTAL SHEETS	SHEET NO.
	08-18101-04-BR	ST. CLAIR	16	8
PROJECT BROS-163(32)		CONTRACT NO. 97466		
ILLINOIS FED. AID PROJECT				