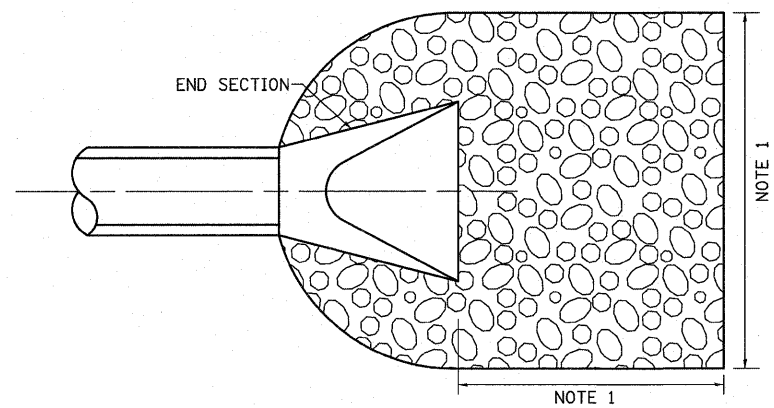
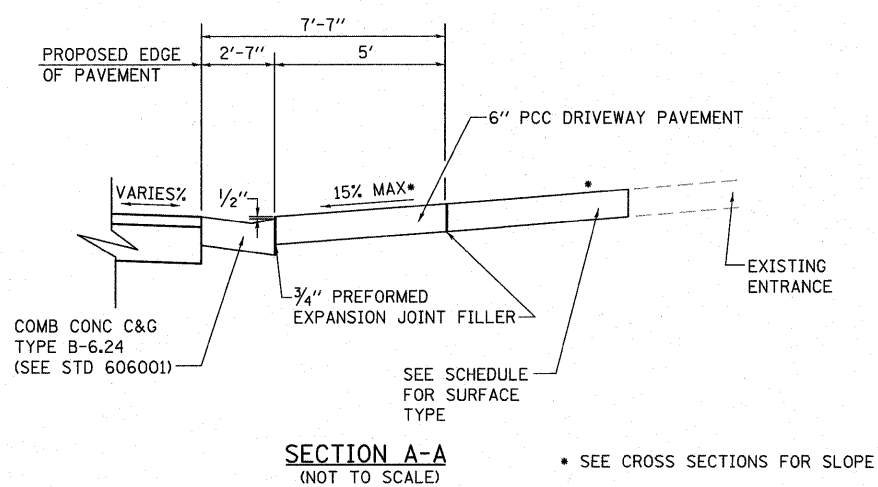
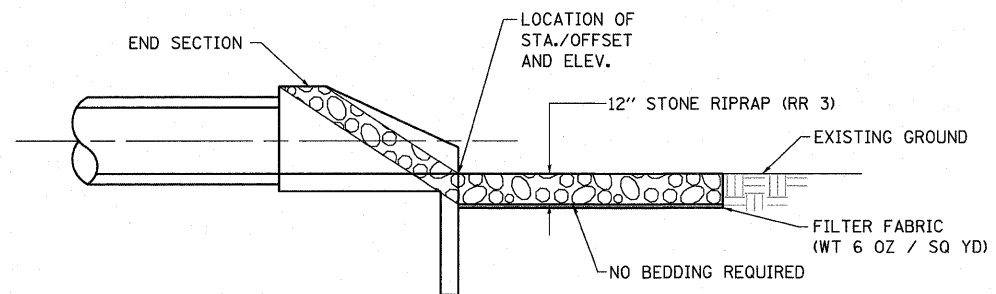


NOTES

1. SEE HIGHWAY STANDARD 720006 & STANDARD 729001 FOR SIGN PLACEMENT DETAILS



NOTE 1: SEE EROSION & SEDIMENT CONTROL SHEET FOR DIMENSIONS

**TYPICAL RIPRAP DETAIL**  
(NOT TO SCALE)

FILE NAME =	USER NAME = randy	DESIGNED - TLC	REVISED -	<b>STATE OF ILLINOIS DEPARTMENT OF TRANSPORTATION</b>	<b>CONSTRUCTION DETAILS</b>	F.A.U. RTE.	SECTION	COUNTY	TOTAL SHEETS	SHEET NO.
h:\p\28013\microstation\cadd sheets\0824013-sht-details.dgn		DRAWN - RGV	REVISED -			9302	08-00047-00-PV	MADISON	25	18
PLOT SCALE = 20.0000' / IN.		CHECKED -	REVISED -			S MAIN ST RECONSTRUCTION		CONTRACT NO. 97467		
PLOT DATE = 7/28/2011		DATE -	REVISED -			ILLINOIS FED. AID PROJECT				
				SCALE: NTS	SHEET NO. 1 OF 2 SHEETS	STA.	TO STA.			