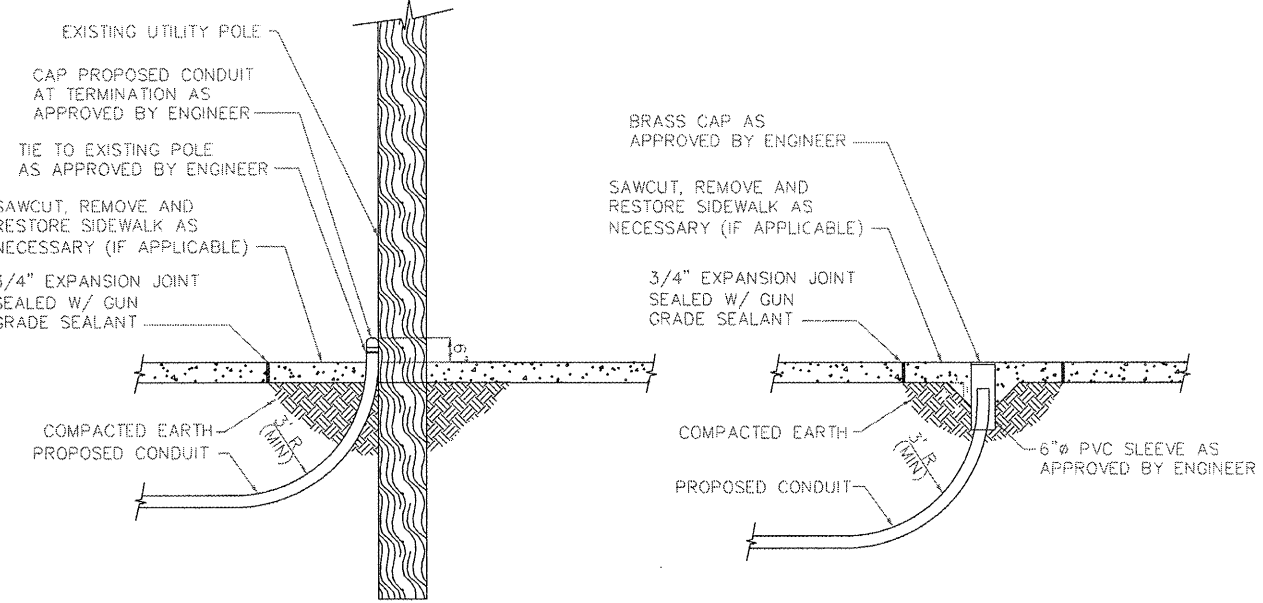
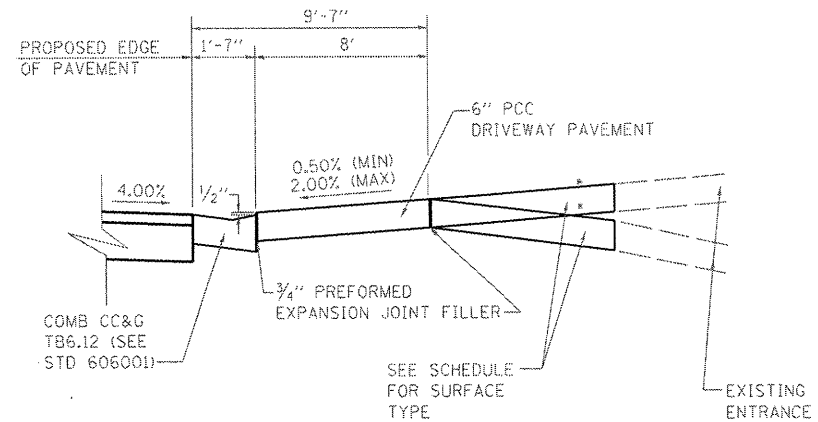


PRIVATE ENTRANCE (PE)
SCALE: NONE

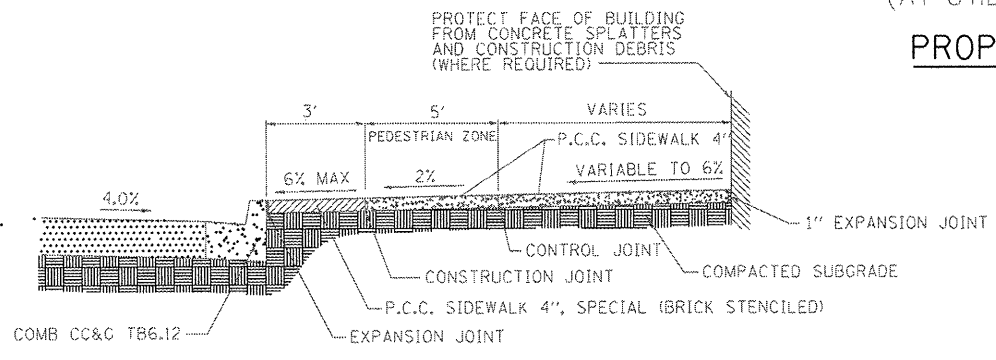


(AT UTILITY POLE) (AT EXISTING SIDEWALK)
PROPOSED CONDUIT TERMINATION DETAIL
(NOT TO SCALE)

NOTE:
THE COST FOR THIS WORK SHALL BE INCLUDED
IN THE UNIT COST BID FOR CONDUIT, SIZE SPECIFIED.

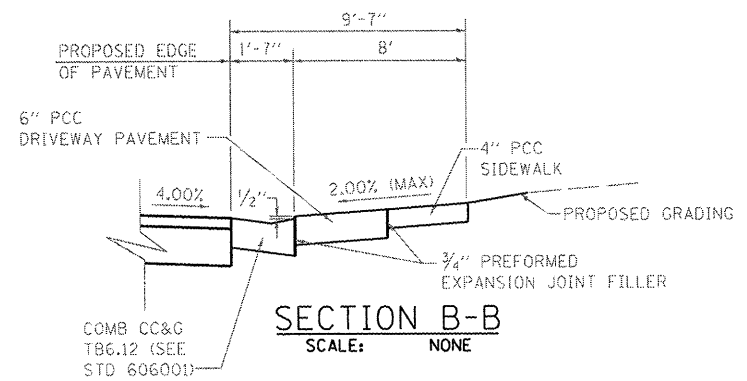


SECTION A-A
SCALE: NONE

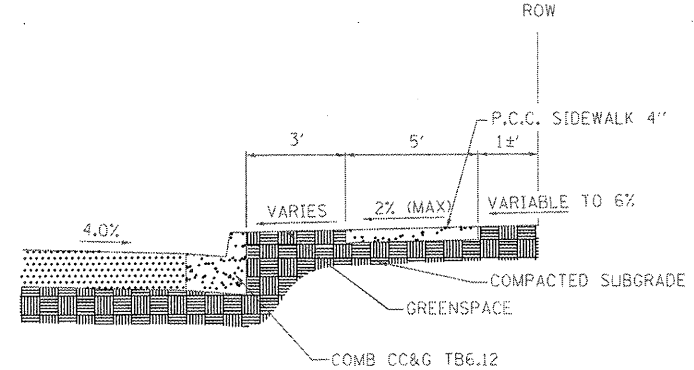


TYPICAL SIDEWALK SPECIAL DETAIL
(NOT TO SCALE)
STA 100+38.16 TO STA 103+67.21
(FROM HIGH STREET TO CENTER STREET)

NOTE:
SPACE TRANSVERSE JOINTS AT 5' CENTERS

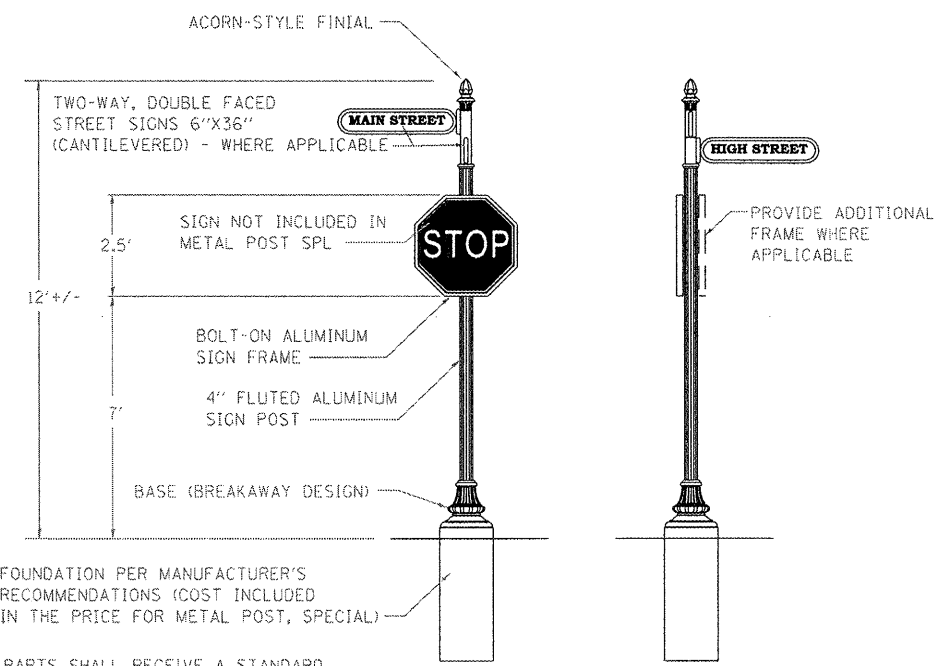


SECTION B-B
SCALE: NONE



TYPICAL SIDEWALK DETAIL
(NOT TO SCALE)
STA 98+51.32 TO STA 100+38.16
(FROM PROSPECT STREET TO HIGH STREET)

NOTE:
SPACE TRANSVERSE JOINTS AT 5' CENTERS



FRONT VIEW SIDE VIEW
METAL POST, SPECIAL
NOT TO SCALE

- NOTES:
1. ALL APPLICABLE PARTS SHALL RECEIVE A STANDARD ELECTROSTATICALLY APPLIED THERMOSET POLYESTER POWDER COAT SMOOTH SEMI-GLOSS BLACK FINISH. ALL FASTENERS SHALL BE STAINLESS STEEL.
 2. SIGN MANUFACTURER AND TYPE SHALL BE ONE OF THE FOLLOWING:
HOLOPHANE INDUSTRIES,
THE STREETSCAPE COMPANY, LLC, STYLE: VICTORIAN
BRANDON INDUSTRIES.
 3. MEET PROVISIONS OF ARTICLE 106.01 IN THE "STANDARD SPECIFICATIONS FOR ROAD AND BRIDGE CONSTRUCTION" FOR DOMESTICALLY PRODUCED MATERIALS.

| | | | | | | | | |
|-------------|------------------------|----------------|-----------|---|---|-------------------------|--------------|--|
| FILE NAME : | USER NAME : \$USER\$ | DESIGNED - JTH | REVISED - | STATE OF ILLINOIS DEPARTMENT OF TRANSPORTATION | CONSTRUCTION DETAILS | | | |
| \$FILEL\$ | | DRAWN - JTH | REVISED - | | SCALE: N.T.S. | SHEET NO. 2 OF 3 SHEETS | STA. TO STA. | F.A.U. RTE. SECTION COUNTY TOTAL SHEETS SHEET NO. 9393 10-00026-01-RS MADISON 31 23 |
| | PLOT SCALE : \$SCALE\$ | CHECKED - TLC | REVISED - | | S. MAIN STREET RECONSTRUCTION - PH 2 CONTRACT NO. 97474 | | | |
| | PLOT DATE : \$DATE\$ | DATE - | REVISED - | | FED. ROAD DIST. NO. ILLINOIS FED. AID PROJECT | | | |