

**FOR INFORMATION ONLY**

GENERAL NOTES

All structural steel shall conform to AASHTO Classification M-270 Gr. 36, unless otherwise noted.

Plan dimensions and details relative to existing plans are subject to nominal construction variations. The Contractor shall field verify existing dimensions and details affecting new construction and make necessary approved adjustments prior to construction or ordering of materials. Such variations shall not be cause for additional compensation for a change in scope of the work, however, the Contractor will be paid for the quantity actually furnished at the unit price bid for the work.

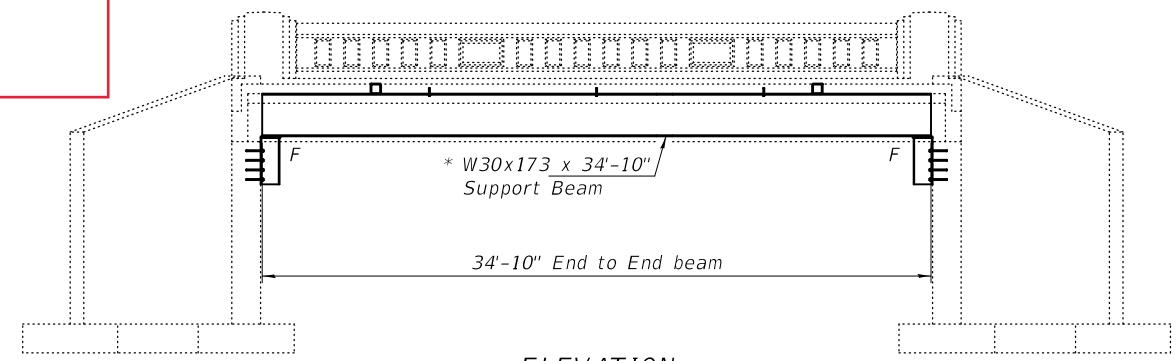
The contractor is advised that the existing T-Girders are in a deteriorated condition with reduced load carrying capacity. It is the contractor's responsibility to account for the condition of the beams when developing construction procedures.

See Section 584 of the Standard Specifications for Epoxy Grouting of Threaded Rods; Minimum embedment 9" unless otherwise noted.

The cost of epoxy grouting threaded rods on the abutments and deck shall be included with Furnishing and Erecting Structural Steel.

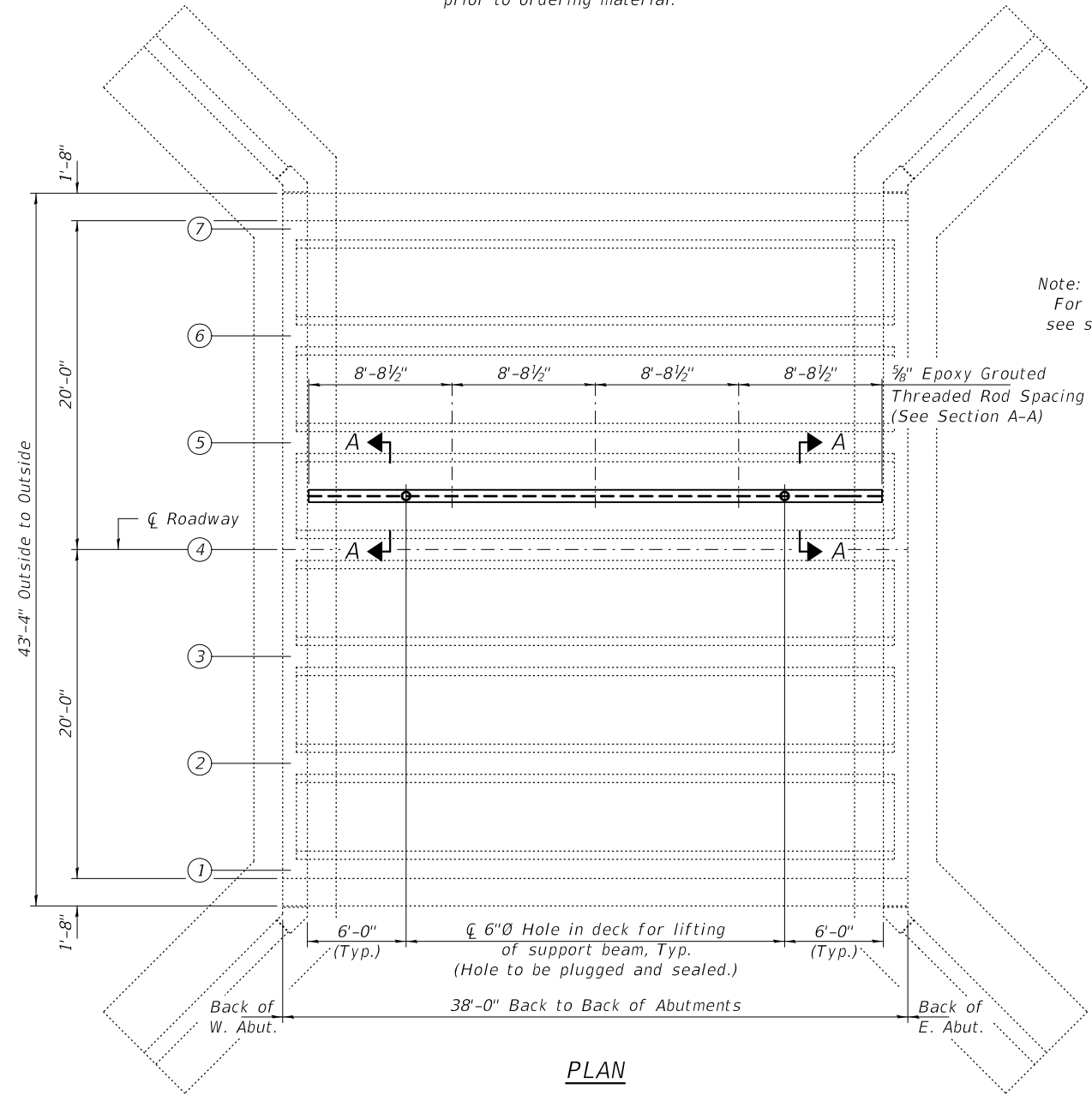
All structural steel shall be shop painted with the inorganic zinc rich primer per AASHTO M300, Type 1. Cost included with Furnishing & Erecting Structural Steel.

Fasteners shall be high strength bolts. Bolts  $\frac{3}{4}$ " $\varnothing$ , open holes  $\frac{13}{16}$ " $\varnothing$ , unless otherwise noted.



ELEVATION

\* Contractor is to verify beam length prior to ordering material.

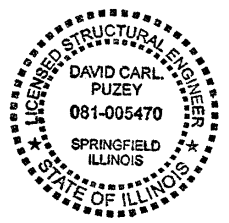


Note:  
For Section A-A and splice details, see sheet 2 of 2.

PLAN

TOTAL BILL OF MATERIAL

ITEM	UNIT	QUANTITY
Furnishing & Erecting Structural Steel	Pound	6460



EXPIRES 11-30-2022

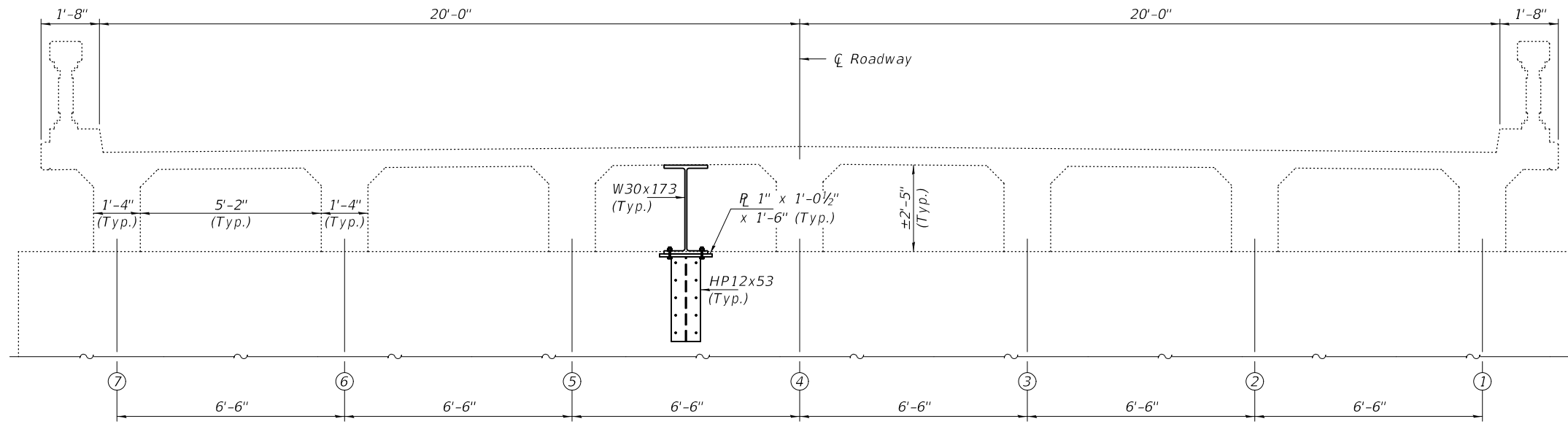
DESIGNED - Victor H. Veliz	EXAMINED - <i>Trig A. Beck</i> ENGINEER OF STRUCTURAL SERVICES	DATE - FEBRUARY 10, 2021
CHECKED - Adrian T. Halloway	PASSED - <i>David Carl Puze</i> ENGINEER OF BRIDGES AND STRUCTURES	REVISED -
DRAWN - daburdell		REVISED -
CHECKED - VHV ATH		

STATE OF ILLINOIS  
DEPARTMENT OF TRANSPORTATION

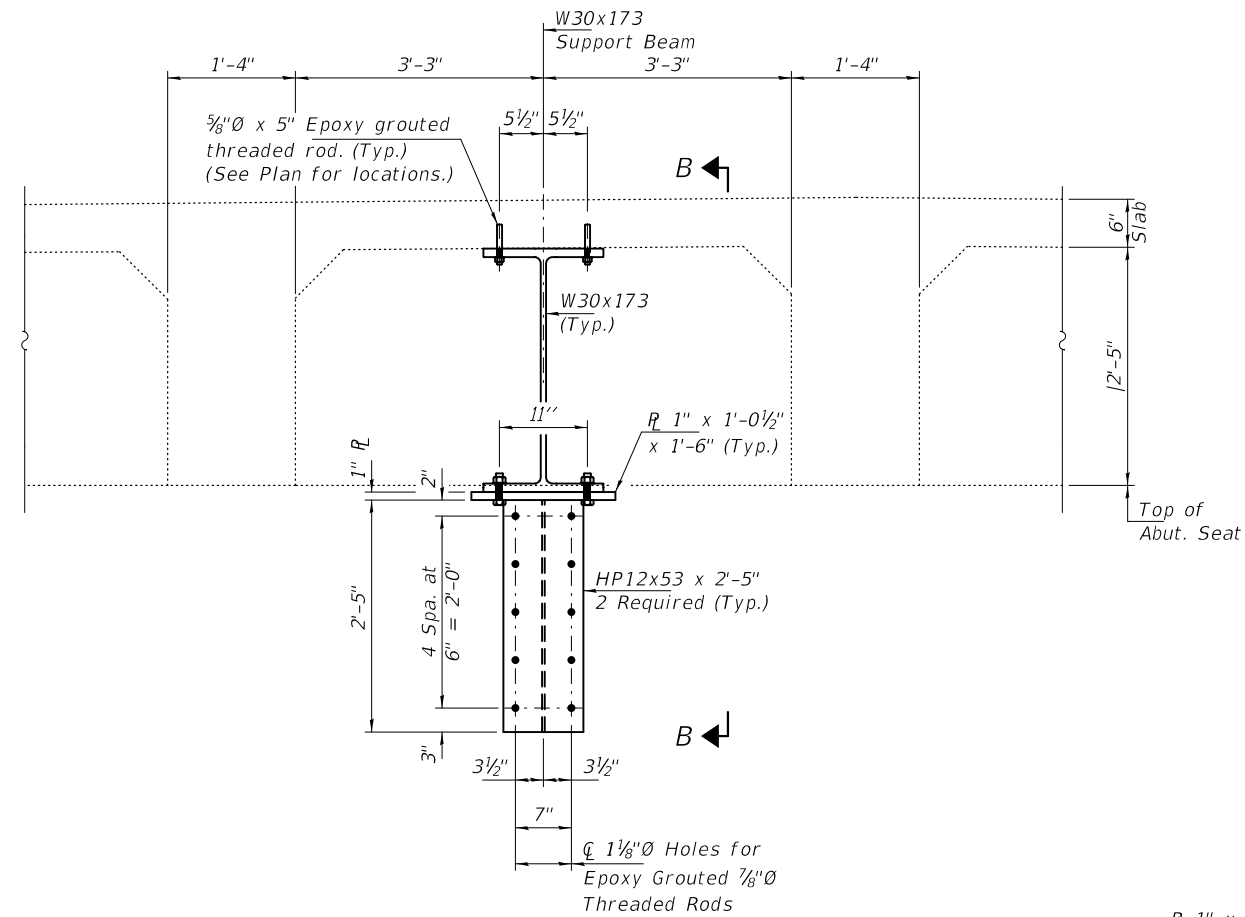
GENERAL PLAN AND ELEVATION  
IL RTE 17 OVER DRAINAGE DITCH  
SN 053-0029

SHEET NO. 1 OF 2 SHEETS

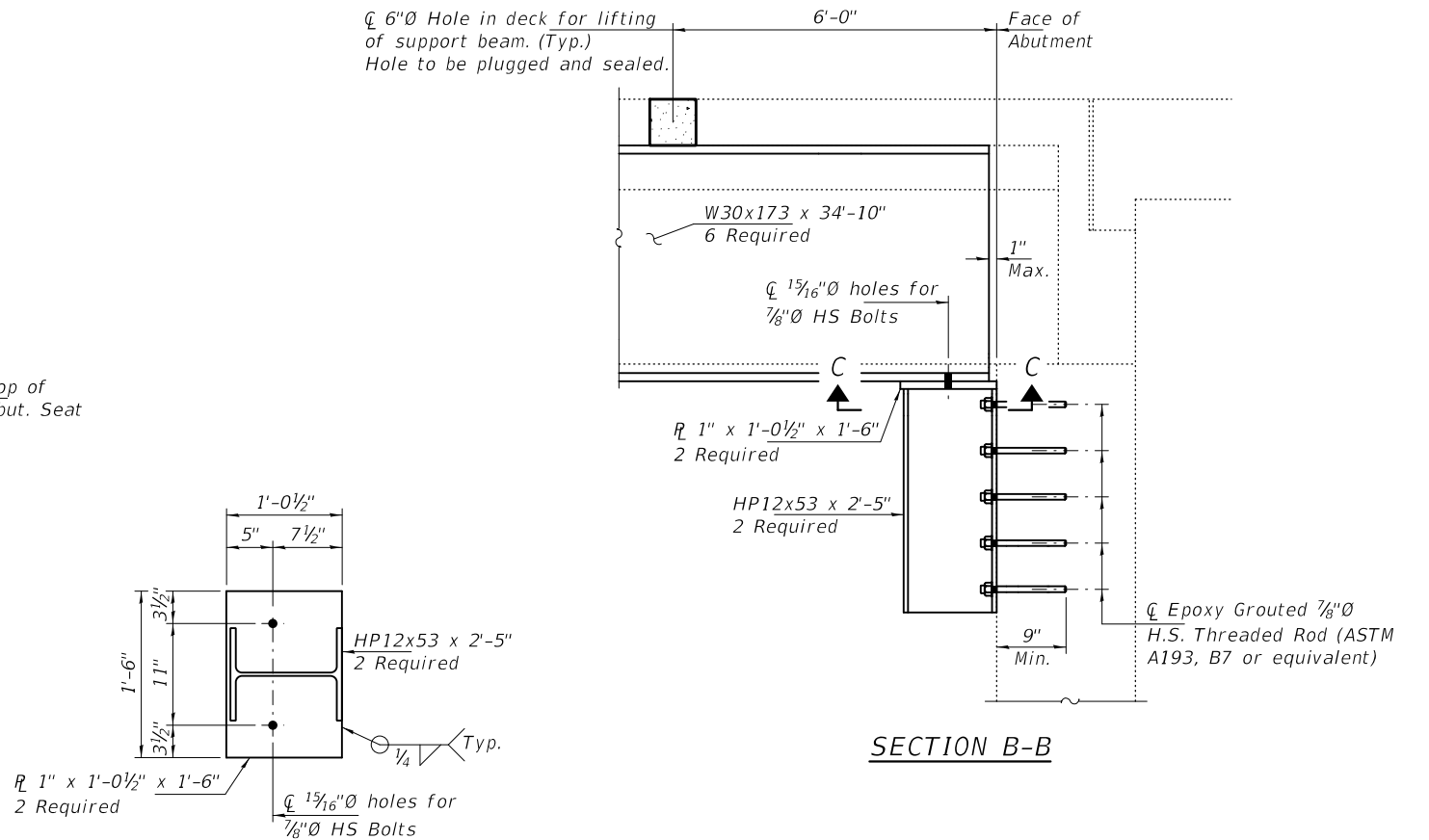
F.A.P. RTE. 649	SECTION	COUNTY LIVINGSTON	TOTAL SHEETS	SHEET NO.
CONTRACT NO. 211301			ILLINOIS FED. AID PROJECT	



**CROSS-SECTION**  
(Looking East)



**SECTION A-A**



**SECTION B-B**

**SECTION C-C**

**FOR INFORMATION ONLY**

DESIGNED - VHV	EXAMINED - <i>Timothy A. Daburdell</i>	DATE - FEBRUARY 10, 2021
CHECKED - ATH	ENGINEER OF STRUCTURAL SERVICES	
DRAWN - <i>daburdell</i>	PASSED - <i>Carl R. Meyer</i>	REVISED -
CHECKED - VHV ATH	ENGINEER OF BRIDGES AND STRUCTURES	REVISED -

**STATE OF ILLINOIS**  
**DEPARTMENT OF TRANSPORTATION**

**T-GIRDER SUPPORT DETAILS**  
**SN 053-0029**

SHEET NO. 2 OF 2 SHEETS

F.A.P. RTE. 649	SECTION	COUNTY	TOTAL SHEETS	SHEET NO.
		LIVINGSTON		
CONTRACT NO. 211301				
ILLINOIS FED. AID PROJECT				