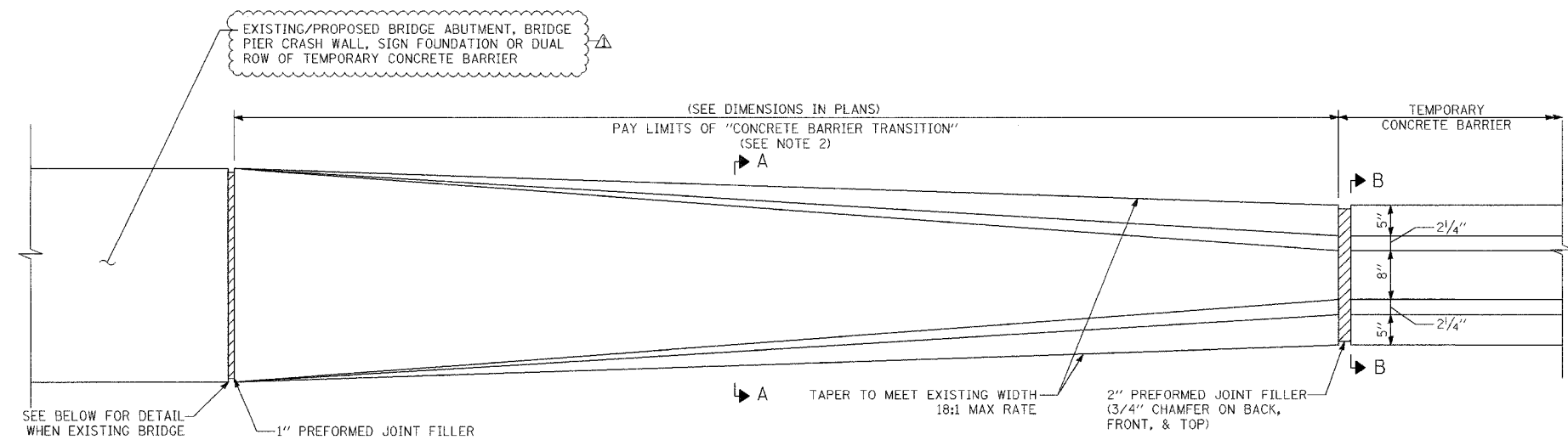
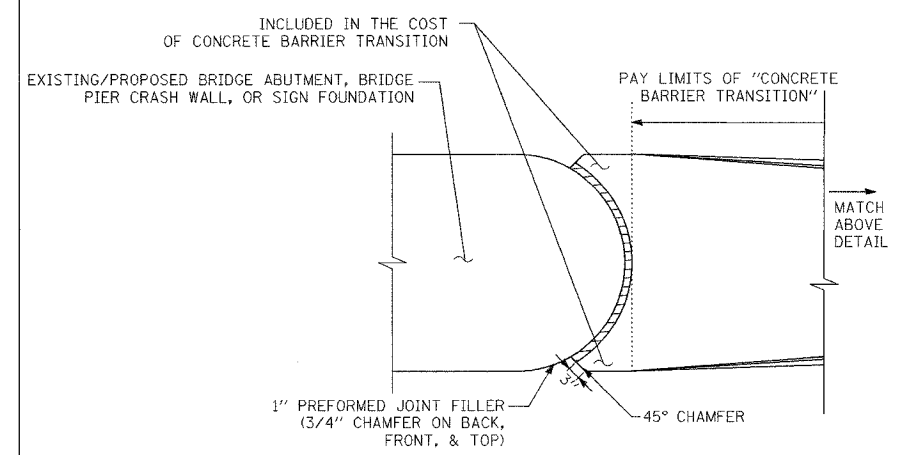


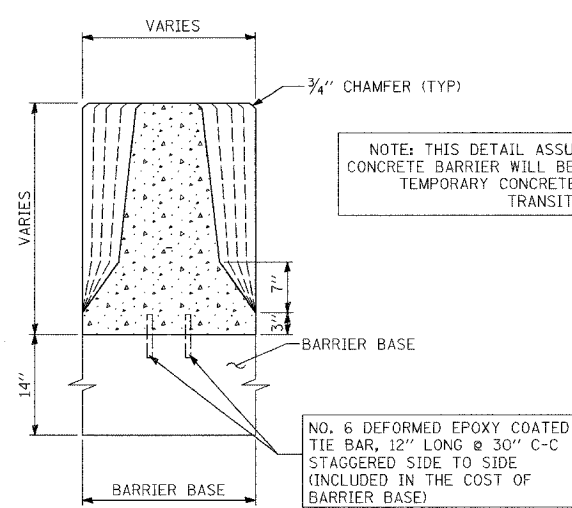
F.A.I. RTE.	SECTION	COUNTY	TOTAL SHEETS	SHEET NO.
94/90 *		COOK	556	368
STA.	TO STA.			
FED. ROAD DIST. NO.	ILLINOIS	FED. AID PROJECT		
62300	* (1818, ETC, 2324.6-IPR-8			



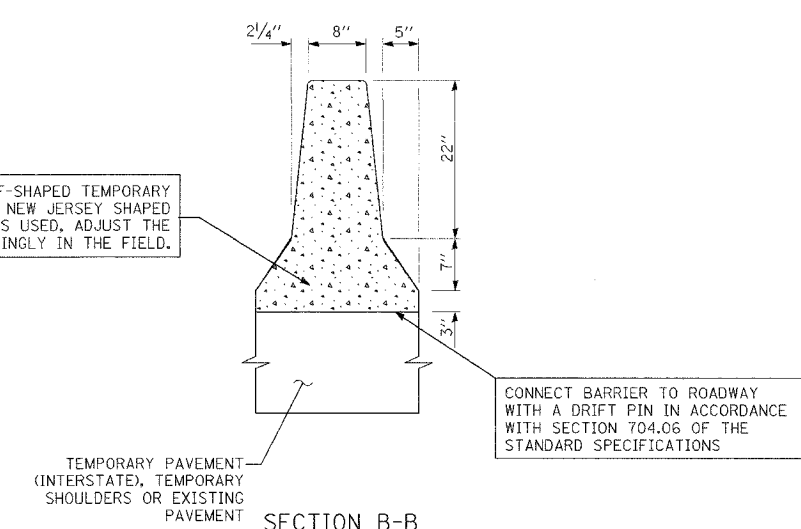
DETAIL OF "CONCRETE BARRIER TRANSITION"
FOR TEMPORARY CONCRETE BARRIER



DETAIL OF "CONCRETE BARRIER TRANSITION"
AT EXISTING ROUNDED PIER



SECTION A-A
CONCRETE BARRIER TRANSITION



SECTION B-B
TEMPORARY CONCRETE BARRIER

- NOTE:
- ALL TRANSITIONS PAID FOR AS CONCRETE BARRIER TRANSITION.
 - LENGTHS PROVIDED IN THE PLANS ARE APPROXIMATE. THE CONTRACTOR MUST ADJUST THE LENGTH OF CONCRETE BARRIER TRANSITION AS NECESSARY TO MEET TEMPORARY CONCRETE BARRIER SEGMENTS USED.

CDT-21

REVISIONS	
NAME	DATE
ADDENDUM 1	8/12/05

ILLINOIS DEPARTMENT OF TRANSPORTATION
F.A.I. 94/90 (DAN RYAN EXPRESSWAY)
31ST STREET TO 71ST STREET
NB EXPRESS LANE RECONSTRUCTION

CONCRETE BARRIER TRANSITION
(SHEET 3 OF 3)

SCALE: NONE
DATE: 7/7/05

DRAWN BY: TAJ
CHECKED BY: PJM

Edwards AND Kelcey

ONE NORTH FRANKLIN
CHICAGO, IL 60606
PHONE: (312) 251-3000
FAX: (312) 251-3015
WEB: WWW.EKCORP.COM

03/16/05 03:16:16 PM