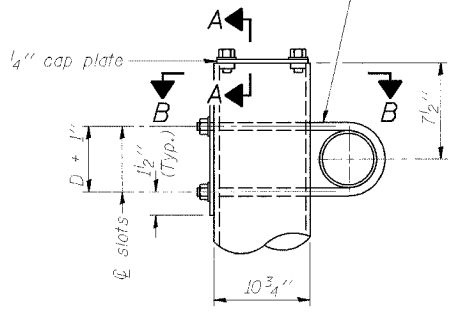
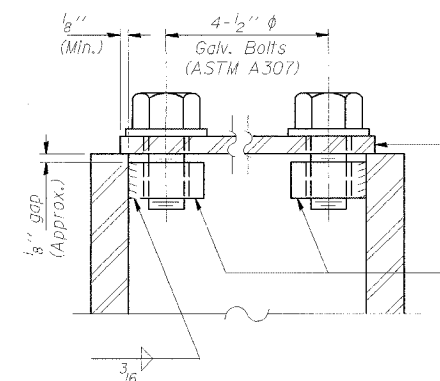


3/4" φ stainless steel U-bolt.
Provide two washers and two hexagon locknuts. (4)
1 1/16" x 2" slots on 10" φ pipe.
(4 slots required per pipe)

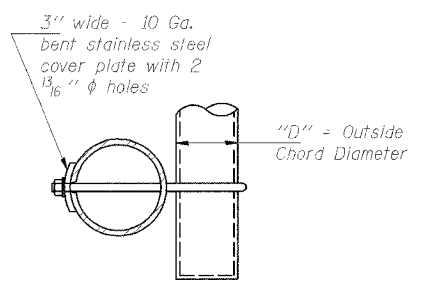


DETAIL A

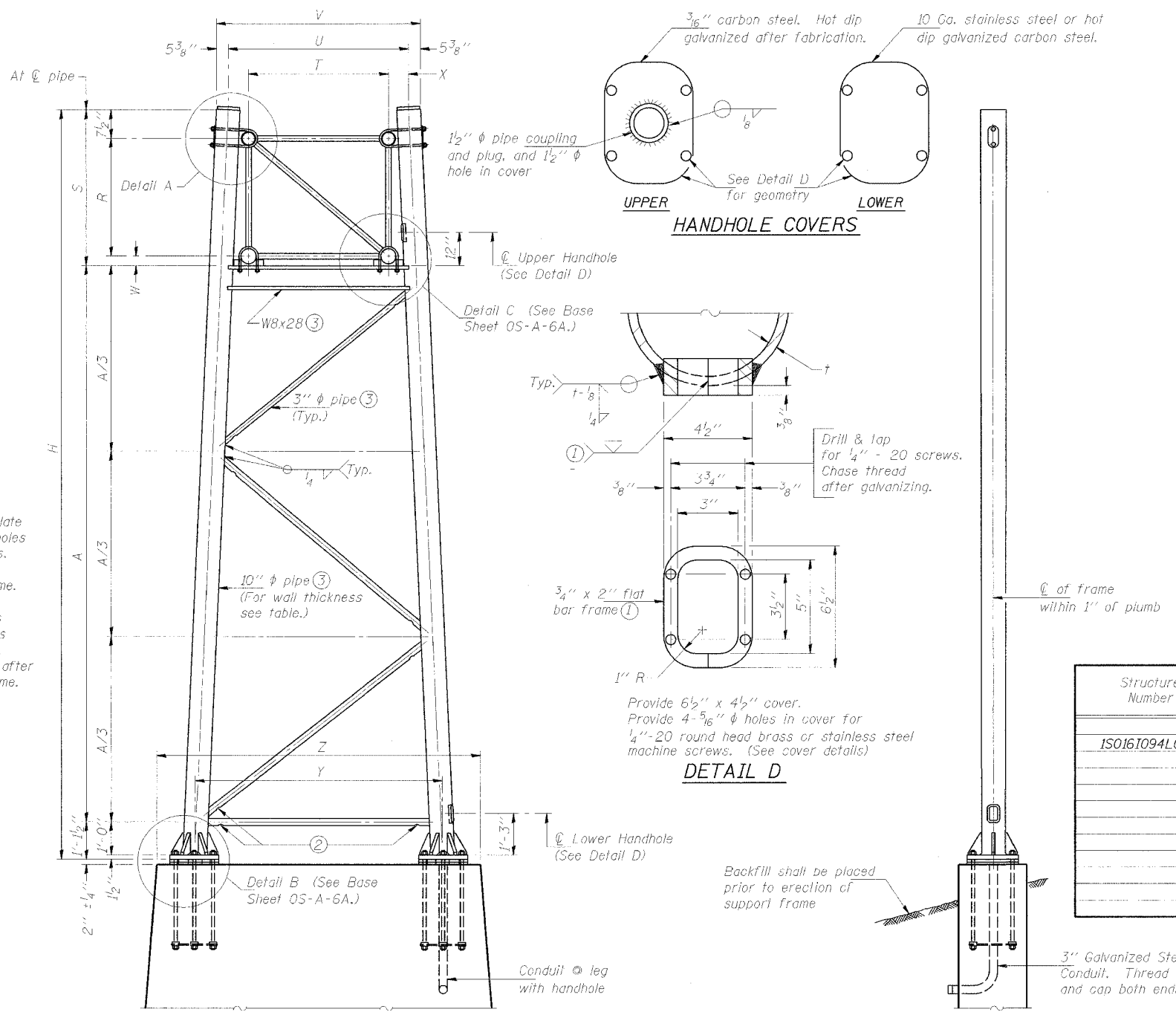


SECTION A-A

As an alternate to bolts, may use galvanized drive-fit caps installed after galvanizing frame.



SECTION B-B

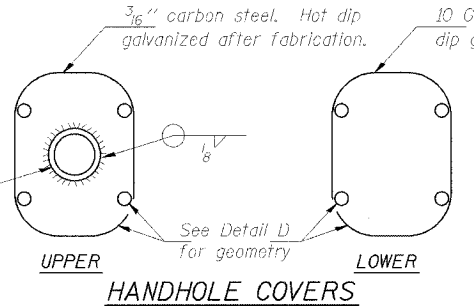


FOR FOUNDATION DETAILS SEE BASE SHEET OS-F3 (Spread Footing) or OS4-F3 (Drilled Shaft).

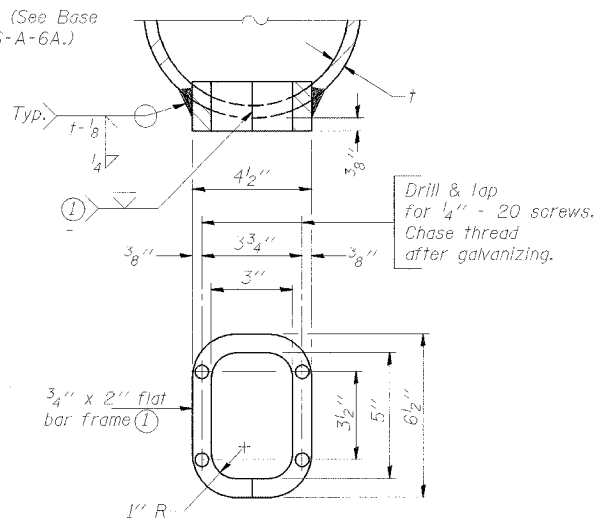
SIDE ELEVATION

10" φ PIPE TRUSS SUPPORT FRAME

END ELEVATION



HANDHOLE COVERS



DETAIL D

Provide 6 1/2" x 4 1/2" cover. Provide 4-5/16" φ holes in cover for 1/4"-20 round head brass or stainless steel machine screws. (See cover details)

Support Design Loads: See Base Sheet OS-A-1 for design and loading criteria.
Load combinations checked include deadload plus:
a) 100% wind normal to sign, 20% parallel to sign
b) 50% wind normal to sign, 30% parallel to sign

- In lieu of fabricated handhole frame as shown, may cut from 2" plate (rolling direction vertical). All cut faces to be ground to ANSI Roughness of 500-3 in or less.
- Galvanizing vent holes of adequate size shall be provided on underside at each end of bracing pipes. Alternately, holes may be provided in wall of pipe column. All vent holes shall be drilled and de-burred. (Typ.)
- Steel pipe, plate, carbon steel handhole covers and rolled sections shall be hot dip galvanized after fabrication. Painting is not permitted. See Base Sheet OS-A-1.
- See General Notes for fasteners.
- Dimensions shown are based on selection criteria in the Sign Structures Manual. Nonstandard applications must have dimensions verified or amended as appropriate.

Structure Number	Station	Support		Truss Type	Pipe Wall Thickness	H	A
		Left	Right				
ISO161094L058.4	2442+20	X		I-A	.365"	25.31	18.72
			X	I-A	.365"	26.83	19.50

DESIGNED - RLK	20
CHECKED - TAI	EXAMINED
DRAWN -	PASSED
CHECKED - PJM	

NUMBER	REVISION	DATE
1	ADDENDUM 1	8/12/05
2	ADDENDUM 2	9/16/05

Truss Type	Dimensions									
	R	S	T	U	V	W	X	Y	Z	
IA	4'-6"	5'-5 1/2"	4'-0"	5'-6"	6'-4 3/4"	4"	9"	8'-3"	10'-9"	
IIA (5)	5'-3"	6'-3 1/4"	4'-6"	6'-1"	6'-11 3/4"	4 3/4"	9 1/2"	8'-3"	10'-9"	

SGN-13A

OVERHEAD SIGN STRUCTURES
SUPPORT FRAME for ALUMINUM TRUSS

ILLINOIS DEPARTMENT OF TRANSPORTATION

F.A.I. 94/90 (DAN RYAN EXPRESSWAY)

31st STREET TO 71st STREET
NB EXPRESS LANE RECONSTRUCTION
OVERHEAD SIGN STRUCTURES

08/14/2005 09:00 PM