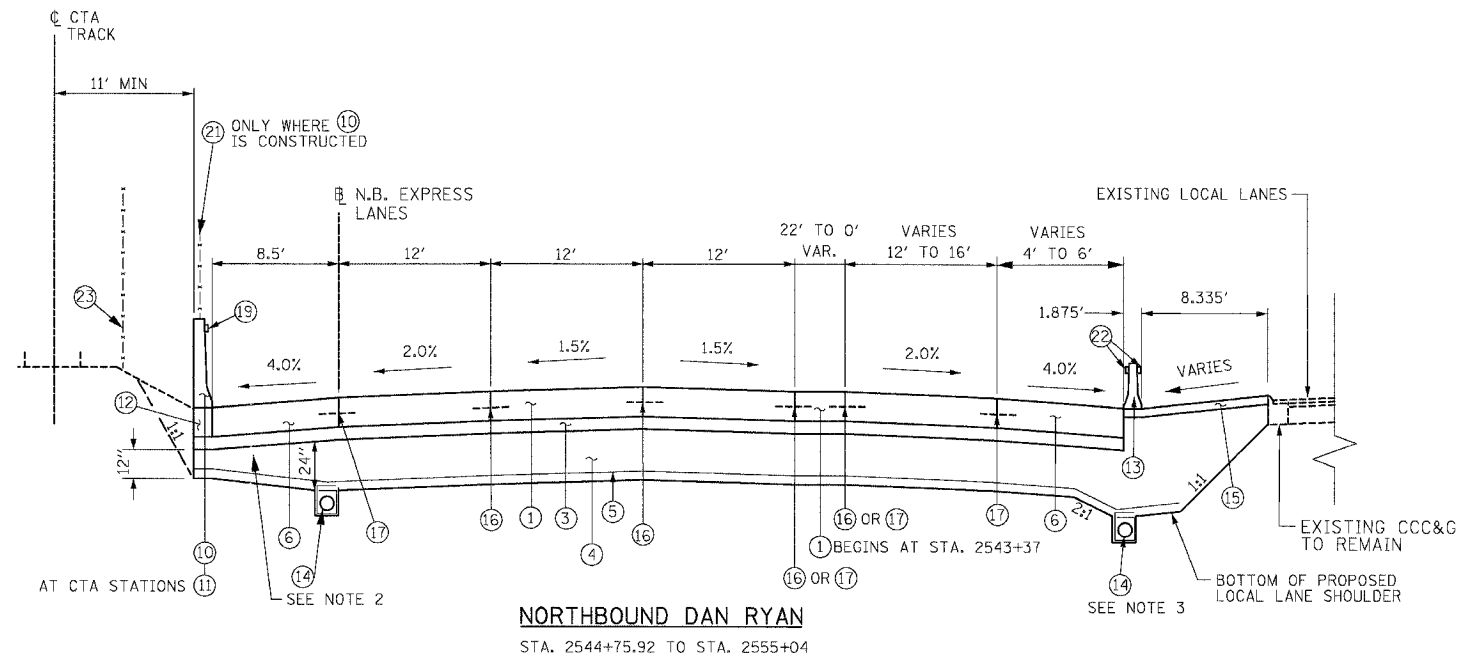
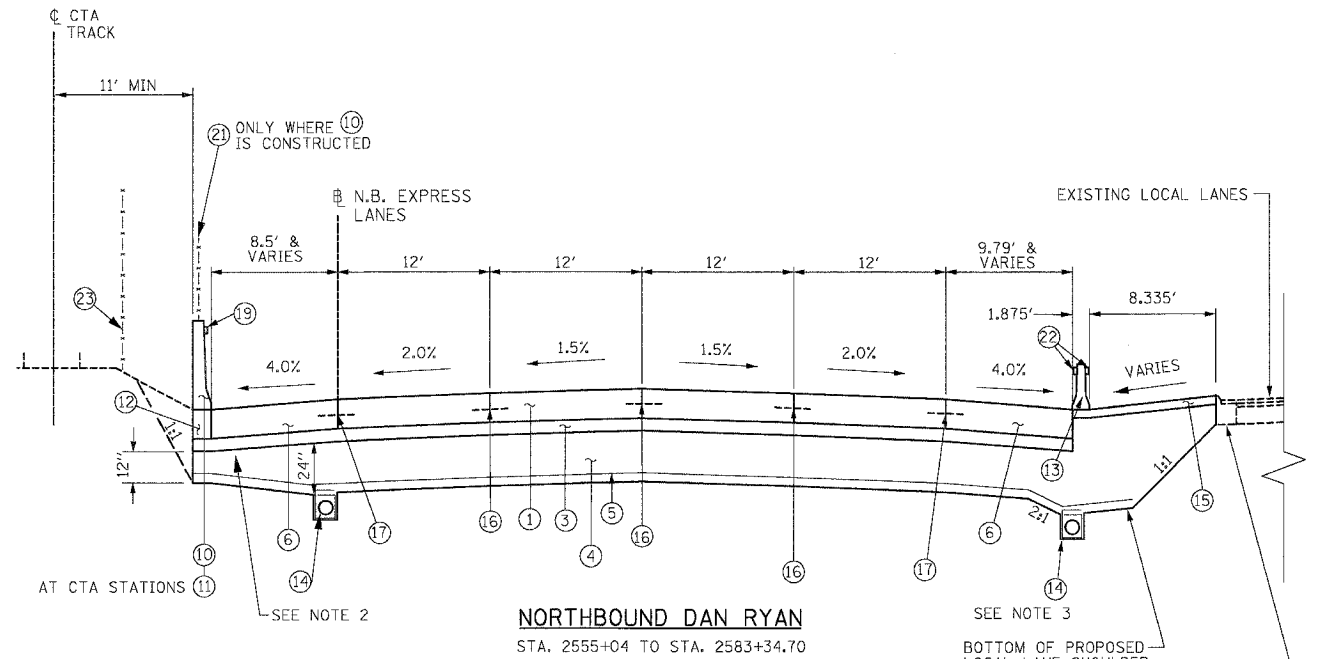


F.A.I.	SECTION	COUNTY	TOTAL SHEETS	SHEET NO.
94/90		COOK	556	17
STA.		TO STA.		
FED. ROAD DIST. NO.		ILLINOIS FED. AID PROJECT		
62300		*1818, ETC, 2324.6-IPR-8		

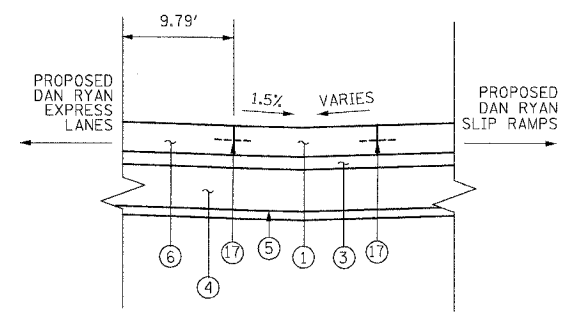
15/04/2005 10:57:49 PM



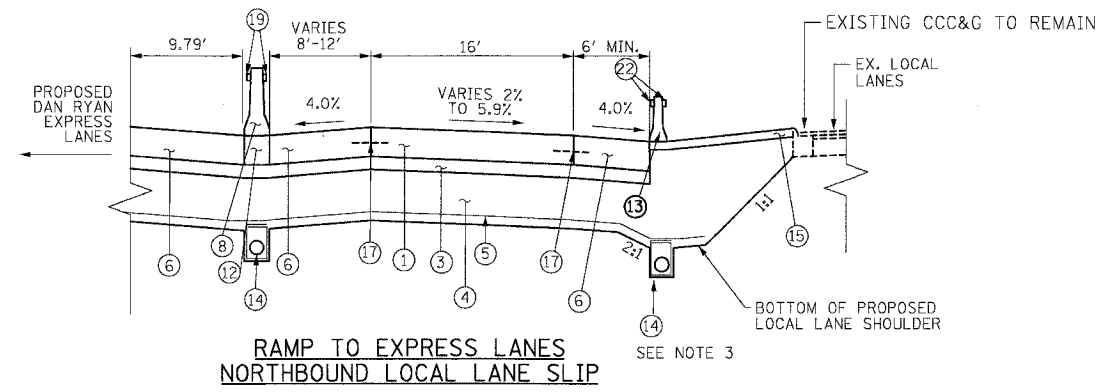
NORTHBOUND DAN RYAN
STA. 2544+75.92 TO STA. 2555+04



NORTHBOUND DAN RYAN
STA. 2555+04 TO STA. 2583+34.70
STA. 2584+21.45 TO STA. 2637+99
(SEE BOX CULVERT DETAILS FOR STA. 2583+34.70 TO STA. 2584+21.45)



NORTHBOUND SLIP RAMP GORES



**RAMP TO EXPRESS LANES
NORTHBOUND LOCAL LANE SLIP**

PROPOSED LEGEND

- | | |
|--|--|
| <ul style="list-style-type: none"> ① CONTINUOUSLY REINFORCED PORTLAND CEMENT CONCRETE PAVEMENT 14" AND PAVEMENT REINFORCEMENT 14" ② (NOT USED) ③ STABILIZED SUB-BASE - 6" ④ SUB-BASE GRANULAR MATERIAL, TYPE B - 24" (INCLUDES 3" GRANULAR SUB-BASE CAP) ⑤ GEOTECHNICAL FABRIC FOR GROUND STABILIZATION ⑥ PORTLAND CEMENT CONCRETE SHOULDERS 14" ⑦ COMBINATION CONCRETE CURB AND GUTTER, TYPE M4-24 ⑧ CONCRETE BARRIER, DOUBLE FACE 32" ⑨ CONCRETE BARRIER, SINGLE FACE 32" | <ul style="list-style-type: none"> ⑩ CONCRETE BARRIER, SINGLE FACE 42" SPECIAL ⑪ EXISTING BARRIER WALL MODIFICATIONS AT CTA STATIONS (SEE CIVIL DETAILS) ⑫ BARRIER BASE ⑬ TEMPORARY CONCRETE BARRIER (TYPE AND LOCATION AS SHOWN ON PLANS) ⑭ PIPE UNDERDRAINS 6" ⑮ TEMPORARY PAVEMENT (INTERSTATE) / TEMPORARY SHOULDERS ⑯ LONGITUDINAL SAWED OR CONSTRUCTION JOINT. FOR LONGITUDINAL SAWED JOINT, POUR IN PLACE NO. 6 TIE BARS 30" LONG AT 30" C-C. FOR LONGITUDINAL CONSTRUCTION JOINT, DRILL AND GROUT NO. 8 TIE BARS 24" LONG AT 24" C-C. ⑰ LONGITUDINAL CONSTRUCTION JOINT. DRILL AND GROUT NO. 8 TIE BARS 30" LONG AT 24" C-C. ⑱ LONGITUDINAL CONSTRUCTION JOINT. DRILL AND GROUT NO. 6 TIE BARS 24" LONG AT 24" C-C. ⑲ BARRIER WALL MARKERS, TYPE C (80' C-C) ⑳ TOPSOIL FURNISH AND PLACE 4"; SEEDING CLASS 2A ㉑ CTA FENCE ㉒ MONODIRECTIONAL PRISMATIC BARRIER REFLECTOR ㉓ CHAIN LINK FENCE, 6' (SPECIAL) (USED DURING ADJACENT CONSTRUCTION) ㉔ CONCRETE MEDIAN SURFACE 6" (SPECIAL) |
|--|--|

NOTES:

1. ALL TIE BARS SHALL BE DEFORMED AND EPOXY COATED. TIE BARS SHALL BE INCLUDED IN THE COST OF PAVEMENT, SHOULDER, AND CURB AND GUTTER ITEMS AND WILL NOT BE PAID FOR SEPARATELY.
2. SUB-BASE GRANULAR MATERIAL DEPTH UNDERNEATH SHOULDER ADJACENT TO CTA VARIES FROM 12" UNDERNEATH BARRIER WALL TO 24" ABOVE UNDERDRAIN. THIS AND ALL OTHER VARYING DEPTH SUB-BASE GRANULAR MATERIAL WILL BE PAID FOR AS SUB-BASE GRANULAR MATERIAL, TYPE B, 24".
3. THE UNDERDRAIN WILL BE CONSTRUCTED TO PROVIDE FOR SUB-BASE DRAINAGE OF THE FUTURE LOCAL LANES. SEE PIPE UNDERDRAIN DETAILS.

BOWMAN, BARRETT & ASSOCIATES INC.
CONSULTING ENGINEERS
Chicago, Illinois
312.228.0100
www.bbainc.com

REVISIONS	
NAME	DATE

ILLINOIS DEPARTMENT OF TRANSPORTATION
F.A.I. 94/90 (DAN RYAN EXPRESSWAY)
31ST STREET TO 71ST STREET
NB EXPRESS LANE RECONSTRUCTION
PROPOSED TYPICAL SECTIONS
NORTHBOUND DAN RYAN

SCALE: NTS
DATE: 07/07/05

DRAWN BY: TER
CHECKED BY: JDC

TYP-06

15/04/2005 10:57:49 PM