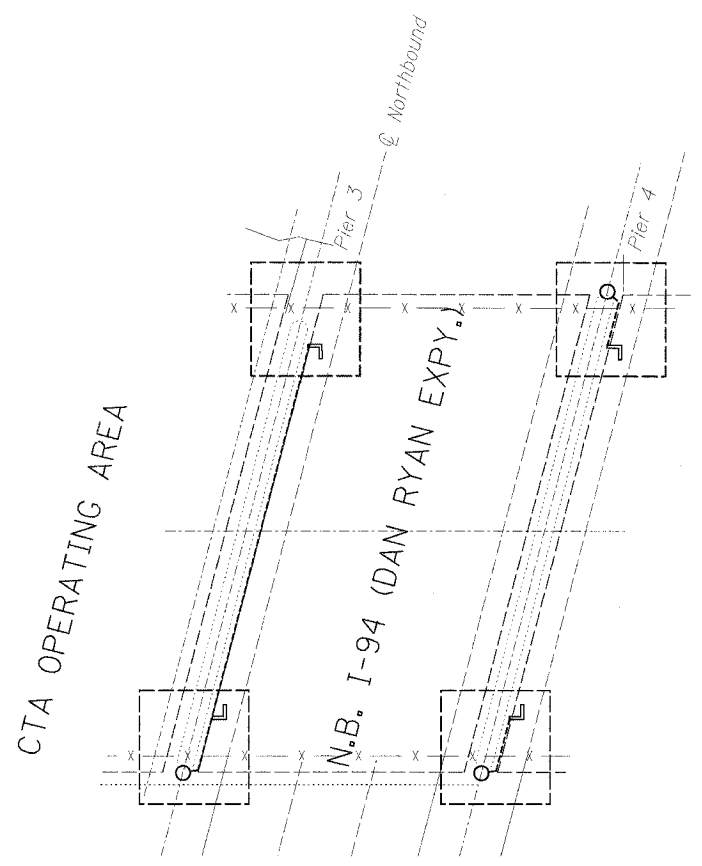
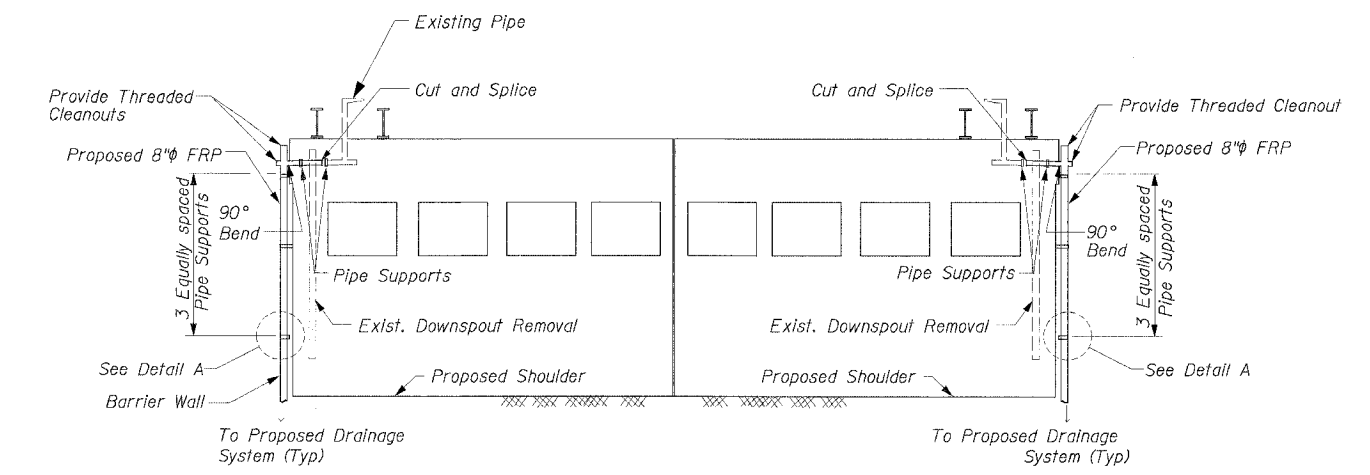


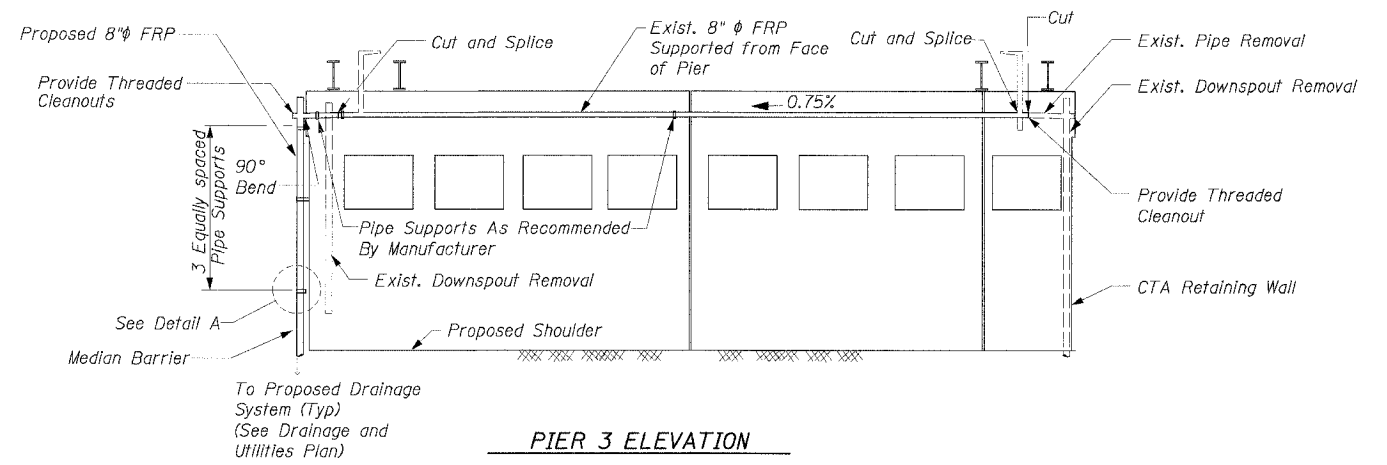
F.A.I. RTE:	SECTION	COUNTY	TOTAL SHEETS	SHEET NO.
94/90		COOK	556	208
STA.	TO STA.			
FED. ROAD DIST. NO. ILLINOIS FED. AID PROJECT				
62300 • (1818, ETC, 2324.6-1PIR-8				



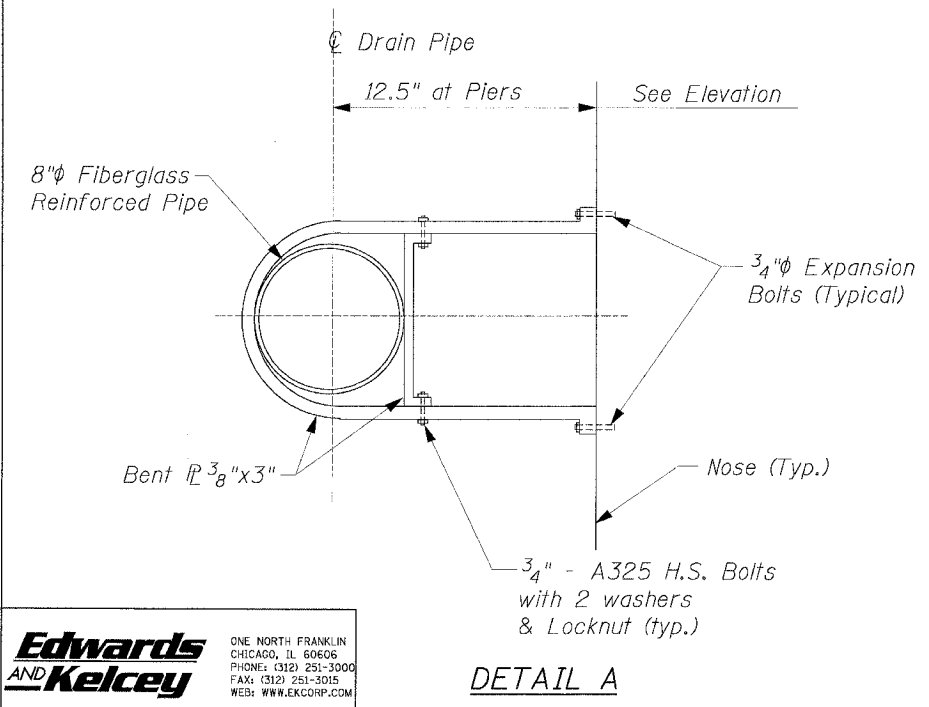
PLAN



PIER 4 ELEVATION



PIER 3 ELEVATION



DETAIL A

NOTES:

1. This work paid for as 'Drainage System' Lump Sum.
2. All cast iron parts shall be gray iron conforming to the requirements of AASHTO M 105, Class 30.
3. Cost for Connection of Drainage Downspouts @ Piers to the proposed drainage structure is included with 'Drainage System'.
4. Cost for Supporting 8" φ FRP to be included with "Drainage System".

Edwards AND Kelcey
 ONE NORTH FRANKLIN
 CHICAGO, IL 60606
 PHONE: (312) 251-3000
 FAX: (312) 251-3015
 WEB: WWW.EKCORP.COM

REVISIONS	
NAME	DATE

ILLINOIS DEPARTMENT OF TRANSPORTATION
 F.A.I. 94/90 (DAN RYAN EXPRESSWAY)
 31ST STREET TO 71ST STREET
 NB EXPRESS LANE RECONSTRUCTION
 47TH ST. DOWNSPOUT RELOCATIONS

SCALE: N.T.S. DRAWN BY: LPN
 DATE: 7/7/05 CHECKED BY: PJM

P:\03009\035\com 148\15\CADD\47th\47th.dwg 06/24/2005 04:50:33 PM