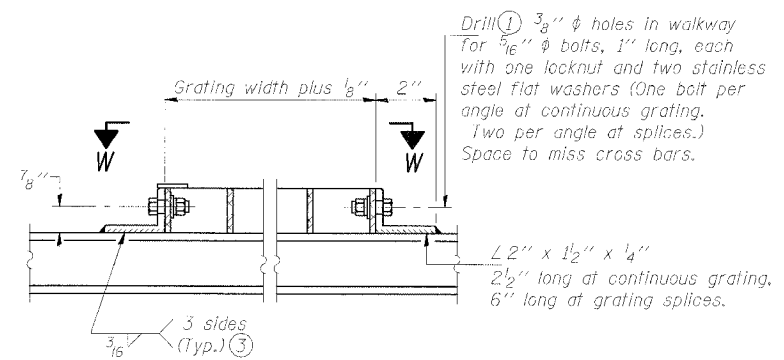
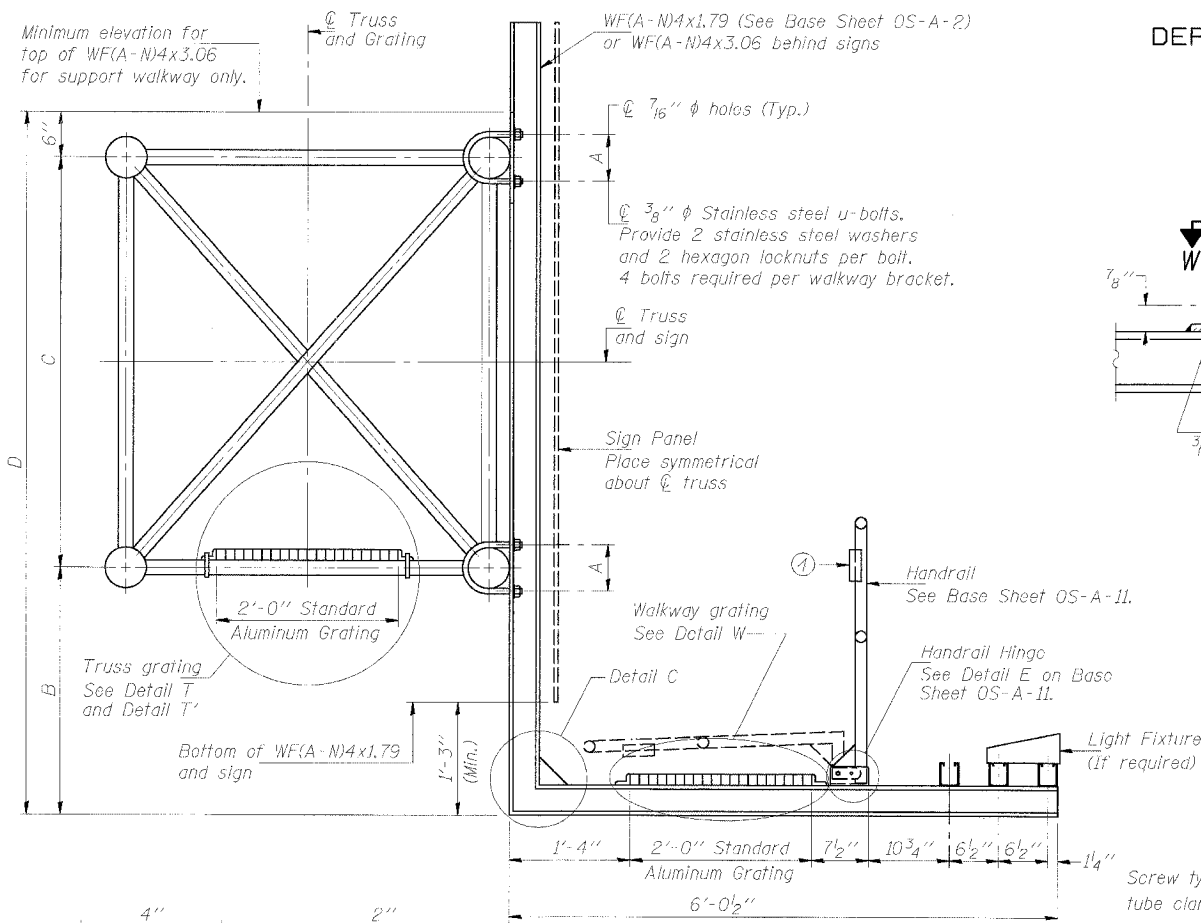
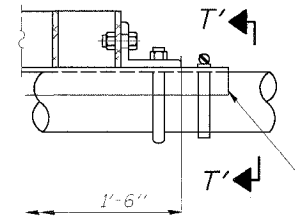


STATE OF ILLINOIS
DEPARTMENT OF TRANSPORTATION

ROUTE NO.	SECTION	COUNTY	TOTAL SHEETS	SHEET NO.
94/90		COOK	556	298
FED. ROAD DIST. NO. 1		ILLINOIS	FED. AID PROJECT-	
62300 • 1818, ETC, 2324.6-1PJR-8				

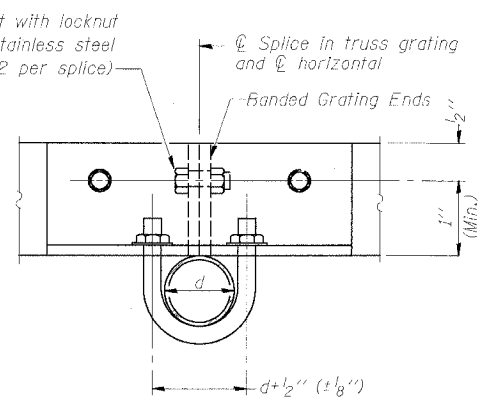


DETAIL W
(Walkway grating)

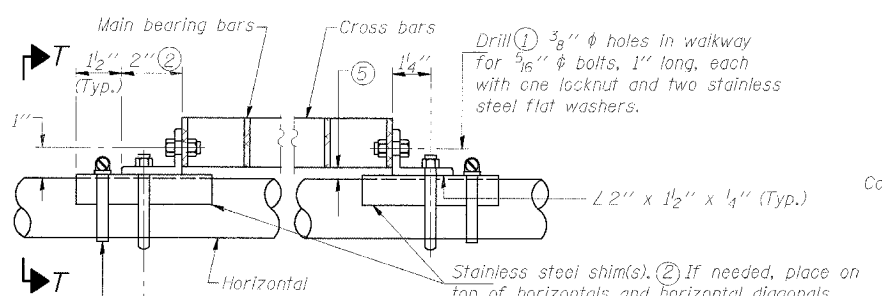


DETAIL T'

(Truss grating splice)
Details not shown same as Detail T.
Alternate materials may be used subject to the Engineer's review and approval.

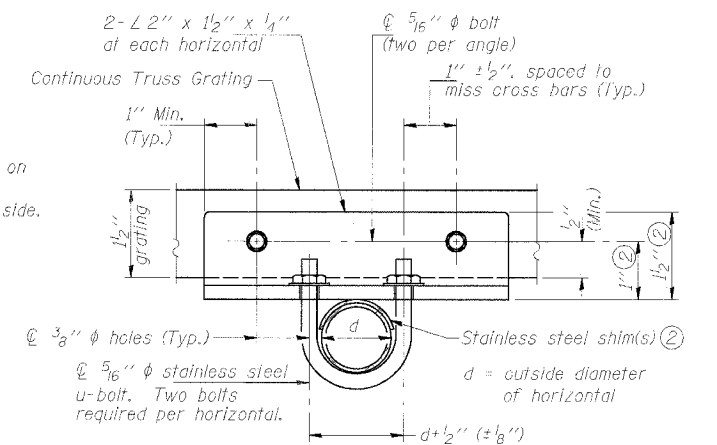


SECTION T'-T'



DETAIL T

(Continuous Truss grating)



SECTION T-T

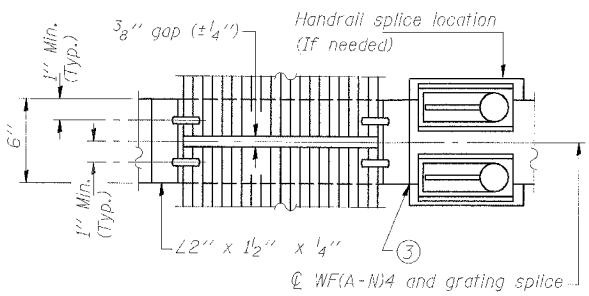
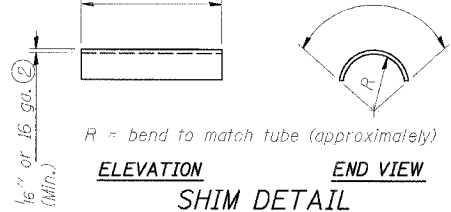
SPECIFICATIONS FOR STANDARD ALUMINUM GRATING

Main Bearing Bars shall be 3/16" x 1 1/2" on 13/16" centers and conform to ASTM B221 Alloy 6061-T6.
Cross bars shall be 3/16" x 1 1/2" on 4" centers and conform to ASTM B221 Alloy 6063-T5 or 6061-T6.

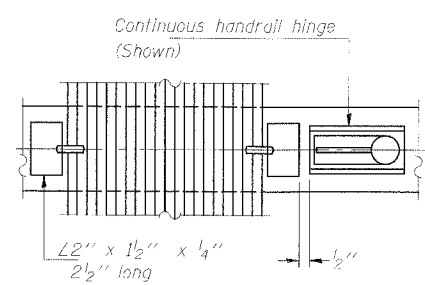
OR

Aluminum Grating with modified "I" sections for main bearing bars shall meet the following requirements:
Main bars shall conform to ASTM B221 Alloy 6061-T6 and have a minimum section modulus equal to 0.0705 in.³ per bar, a depth of 1 1/2", spaced on 13/16" centers.
Cross bars shall conform to ASTM B221 Alloy 6063-T5 or T-42 and spaced on 4" centers.

- Drilling holes in grating may be done in shop or field, based on Contractor's preference and subject to accurate alignment.
- Stainless steel shims shall be placed as shown in Detail T if needed to compensate for alignment variations between horizontal and diagonal pipes beyond adjustment provided by angles. Thicker shims may be used subject to shims performing properly.
- If Handrail Joint present, weld angle to WF(A-N)4 and 1/4" extension bars. (See Base Sheet OS-A-11.)
- 1/8" x 1/2" x 2" welded to handrail posts to protect locations that contact grating.
- Tube to grating gap may vary from 0 to 1/2" (max.) to align walkway, allow for camber, etc.

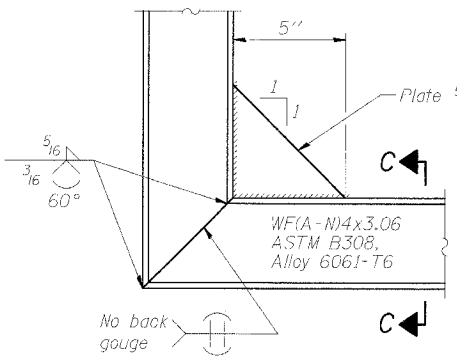


(AT WALKWAY GRATING SPLICE)



(CONTINUOUS WALKWAY GRATING)

SECTION W-W



DETAIL C

(See Detail P, Base Sheet OS-A-11.)

SECTION C-C

DESIGNED	MSA
CHECKED	AS
DRAWN	MD
CHECKED	MSA

EXAMINED	20
PASSED	

ENGINEER OF STRUCTURAL SERVICES

ENGINEER OF BRIDGES AND STRUCTURES

NUMBER	REVISION	DATE

Structure Number	Station	A	B	C	D
ISO161094058.4	2442+20	5 3/8"	5'-6"	4'-6"	10'-6"

SGN-18B

**OVERHEAD SIGN STRUCTURES
ALUMINUM WALKWAY DETAILS**

ILLINOIS DEPARTMENT OF TRANSPORTATION
F.A.I. 94/90 (DAN RYAN EXPRESSWAY)

31ST STREET TO 71ST STREET
NB EXPRESS LANE RECONSTRUCTION
OVERHEAD SIGN STRUCTURES