

STATE OF ILLINOIS
DEPARTMENT OF TRANSPORTATION

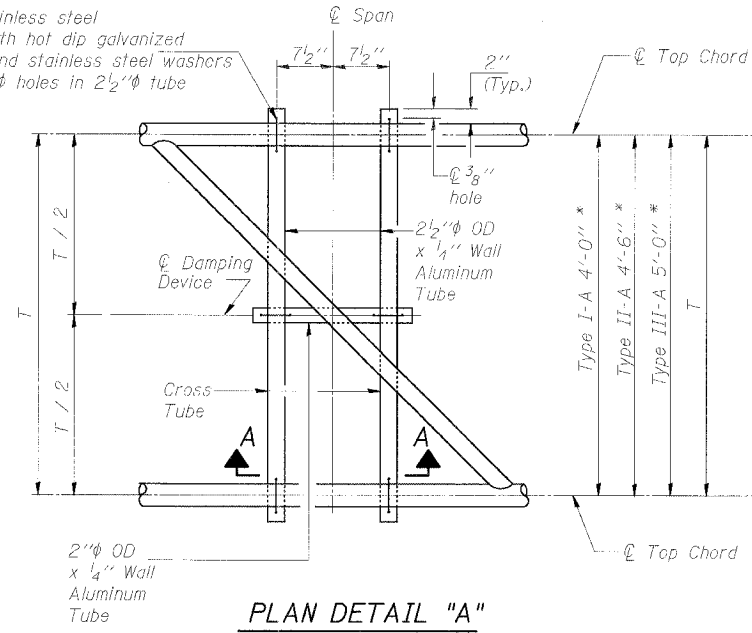
* Center of horizontal to center of splice dimension may vary. Verify before drilling holes in mounting tube.

ROUTE S.D.	SECTION	COUNTY	TOTAL SHEETS	SHEET NO.	SHEET NO.
90/94	*	COOK	556	311	- SHEETS

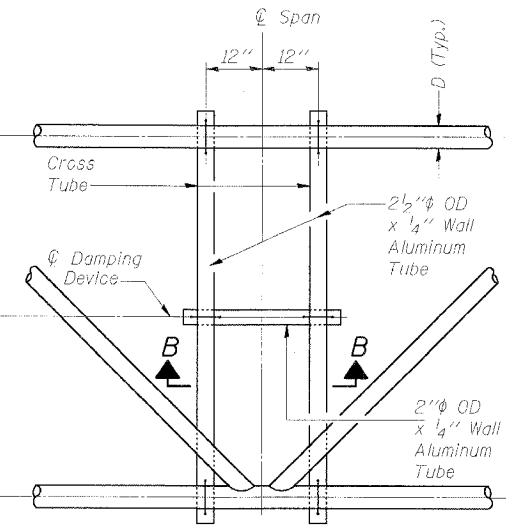
(1818, ETC, 2324.6-1P) R-8

62300

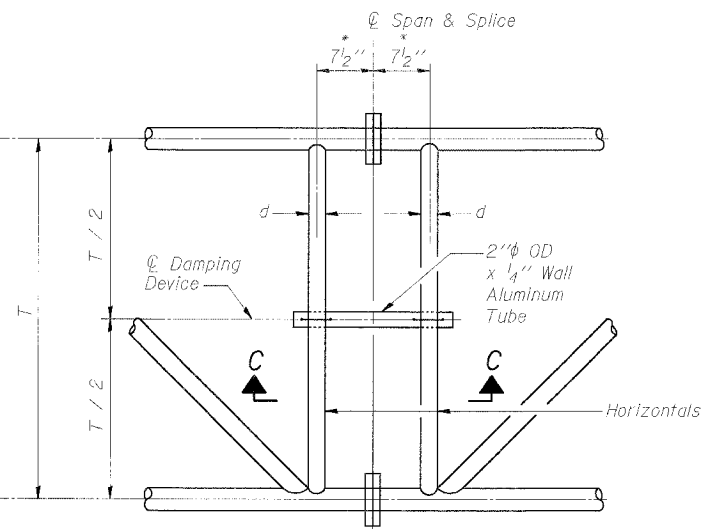
5/16" φ stainless steel U-bolt with hot dip galvanized locknuts and stainless steel washers (Typ.) 3/8" φ holes in 2 1/2" φ tube



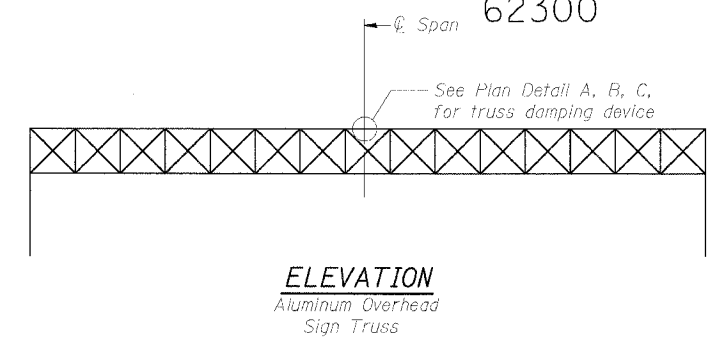
PLAN DETAIL "A"
Span BETWEEN PANEL POINTS



PLAN DETAIL "B"
Span AT PANEL POINT

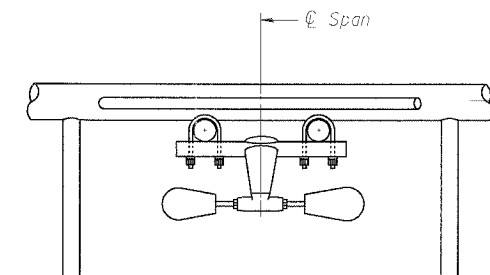


PLAN DETAIL "C"
Span AT CHORD SPLICE

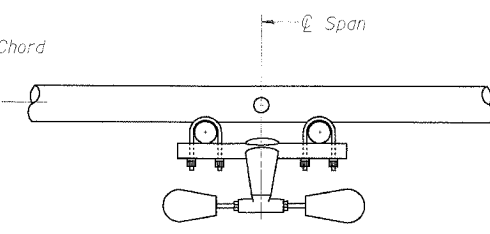


NOTES

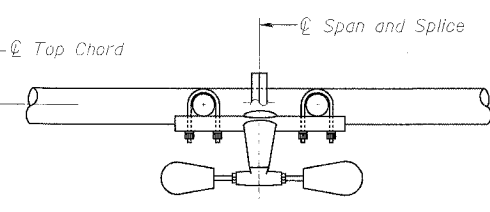
Damper: One damper per truss.
(31 lbs. Stockbridge-Type Aluminum)
Cost included in "Overhead Sign Structure..."
Materials: Aluminum tubes shall be ASTM B221 alloy 6061 temper T6. Cost included in "Overhead Sign Structure..."



SECTION A-A

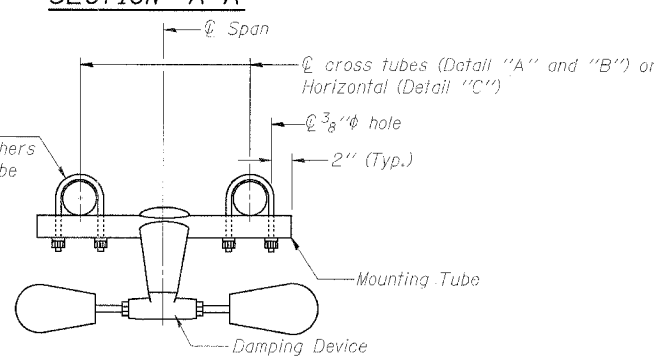


SECTION B-B

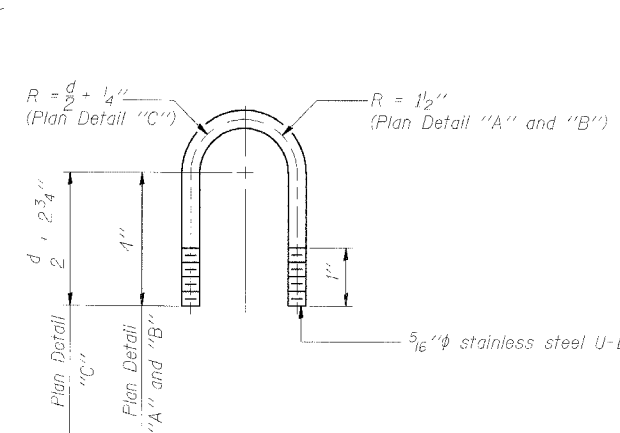


SECTION C-C

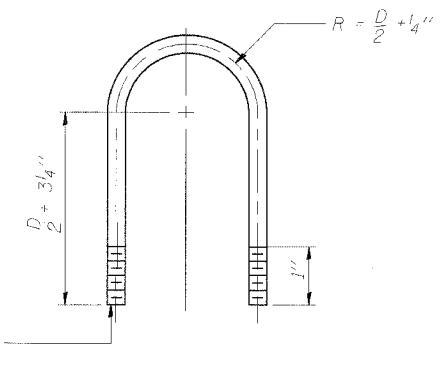
5/16" φ stainless steel U-bolt with hot dip galvanized locknuts and stainless steel washers (Typ.) 3/8" φ holes in mounting tube



TRUSS DAMPING DEVICE CONNECTION DETAIL
(Typical)



DAMPING DEVICE MOUNTING TUBE U-BOLT DETAIL
(Typical)



TOP CHORD TO CROSS TUBE U-BOLT DETAIL
(Typical - Detail "A" and "B")

DESIGNED - SWANG	20
CHECKED - JAL	EXAMINED
DRAWN	PASSED
CHECKED	ENGINEER OF BRIDGES AND STRUCTURES

OS-A-D 11/1/2002

OVERHEAD SIGN STRUCTURE DAMPING DEVICE
F.A.I. 94/90 (DAN RYAN EXPRESSWAY)
31st STREET TO 71st STREET
(NB Express Lanes)