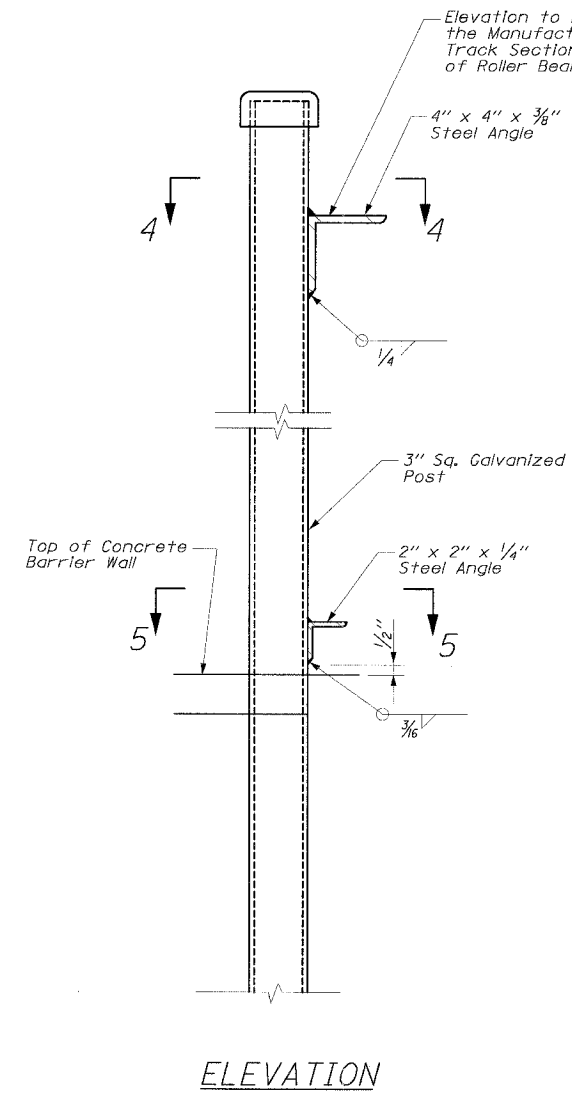
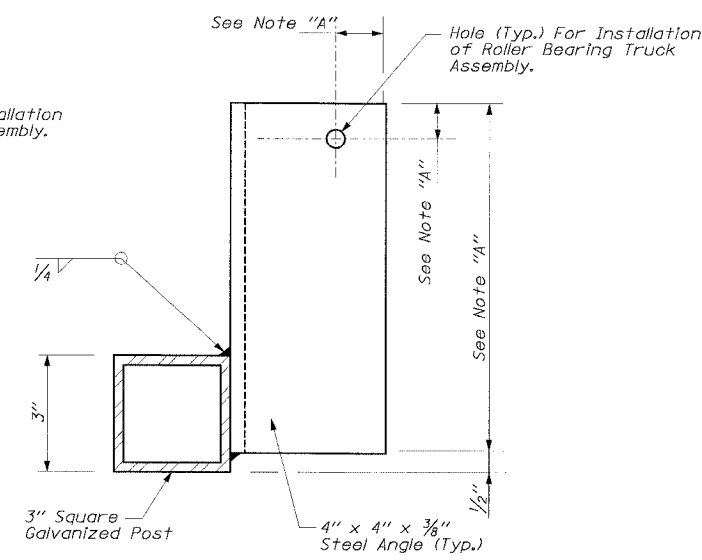


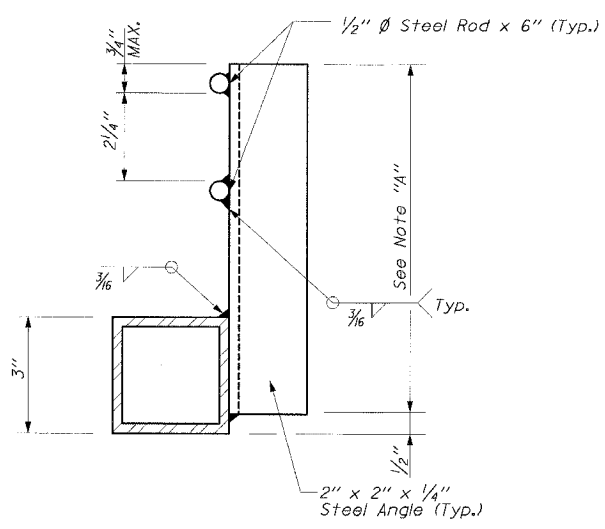
F.A.I. RITE.	SECTION	COUNTY	TOTAL SHEETS	SHEET NO.
94/90		COOK	556	359
STA.	TO STA.			
FED. ROAD DIST. NO.	ILLINOIS	FED. AID PROJECT		
62300	11818, ETC, 2324.6-IPR-8			



ELEVATION



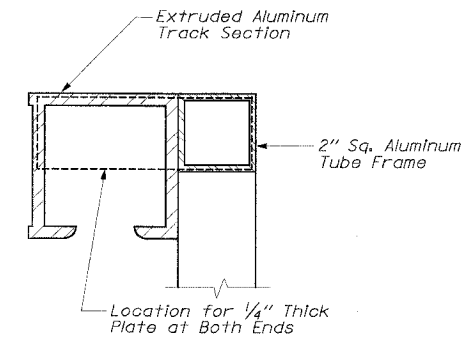
SECTION 4-4



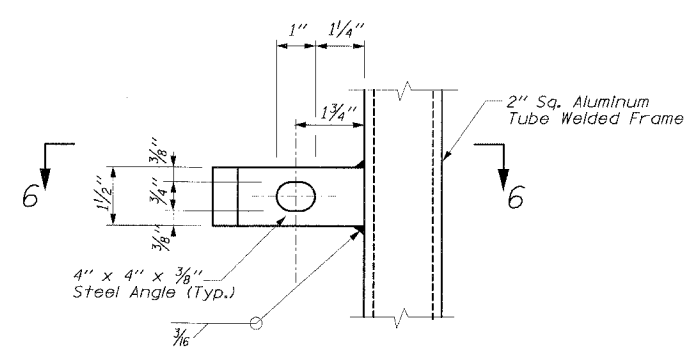
SECTION 5-5

DETAIL A
 For Overhang Post - As Shown
 For Gate Post "A" - Opposite Hand

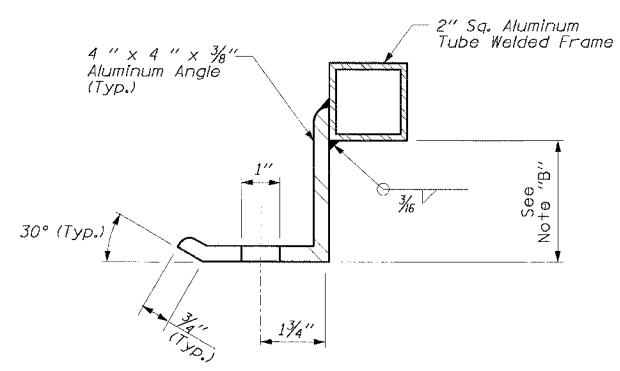
NOTE:
 "A": The Manufacturer of the Sliding Gate Shall Determine the Length of Angles and Location of Hole for Installation of Roller Bearing Truck Assembly.



SECTION 8-8



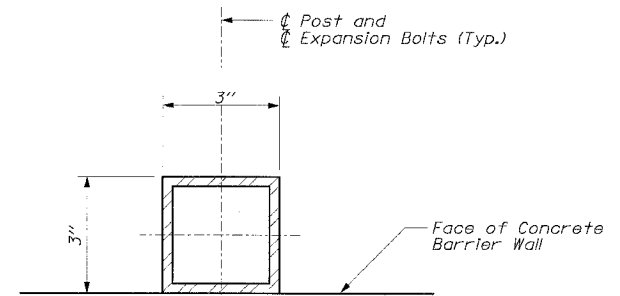
ELEVATION



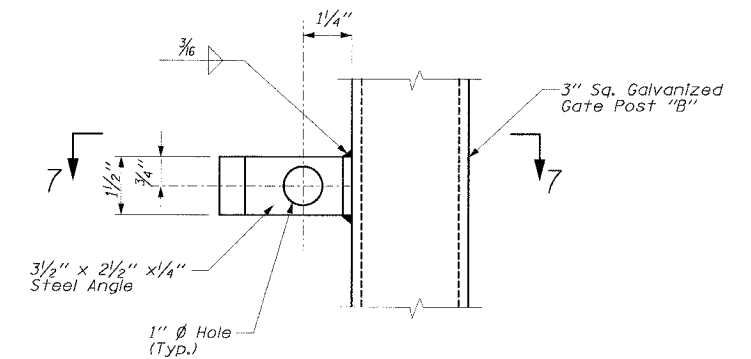
SECTION 6-6

DETAIL B

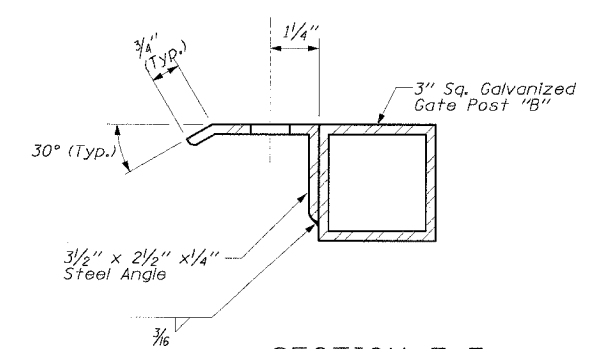
NOTE:
 "B": The Manufacturer of the Sliding Gate Shall Set the Angle Based on the Size of the Track Frame



GATE AND OVERHANG POST SECTION



ELEVATION



SECTION 7-7

DETAIL C

GENERAL NOTE:
 The Slide Gates Shall be of the Cantilevered Type with NO Track or Support Across the Opening.

Edwards AND Kelcey
 ONE NORTH FRANKLIN CHICAGO, IL 60606
 PHONE: (312) 251-3000 FAX: (312) 251-3015
 WEB: WWW.EKCORP.COM

REVISIONS	
NAME	DATE

ILLINOIS DEPARTMENT OF TRANSPORTATION
 F.A.I. 94/90 (DAN RYAN EXPRESSWAY)
 31ST STREET TO 71ST STREET
 NB EXPRESS LANE RECONSTRUCTION
 CTA FENCE
 ELEVATIONS AND DETAILS
 SHEET 3 OF 3
 SCALE: NONE DRAWN BY: RLK
 DATE: 7/7/05 CHECKED BY: EL

CDT-12

06/24/2005 01:33:24 PM