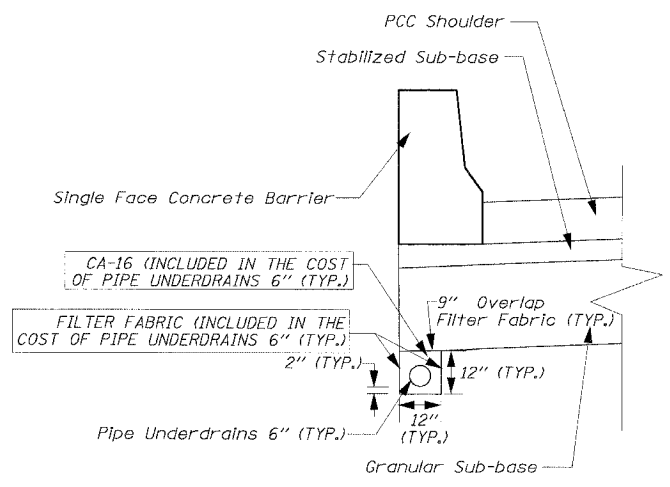
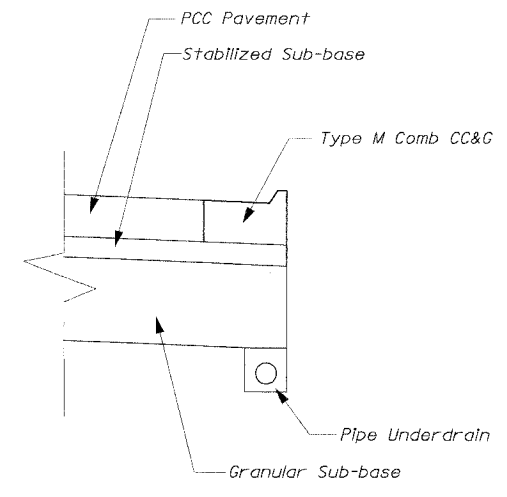


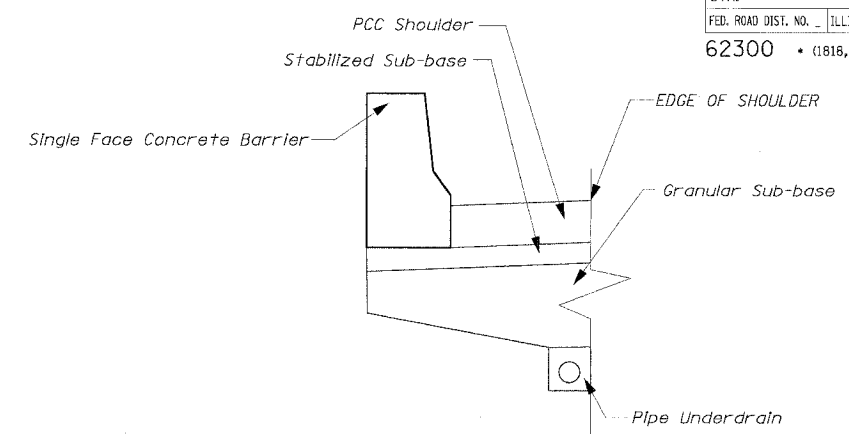
F.A.I. RTE.	SECTION	COUNTY	TOTAL SHEETS	SHEET NO.
94/90		COOK	556	360
STA.	TO STA.			
FED. ROAD DIST. NO.	ILLINOIS	FED. AID PROJECT		
62300		(1818, ETC, 2324.6-1PIR-8		



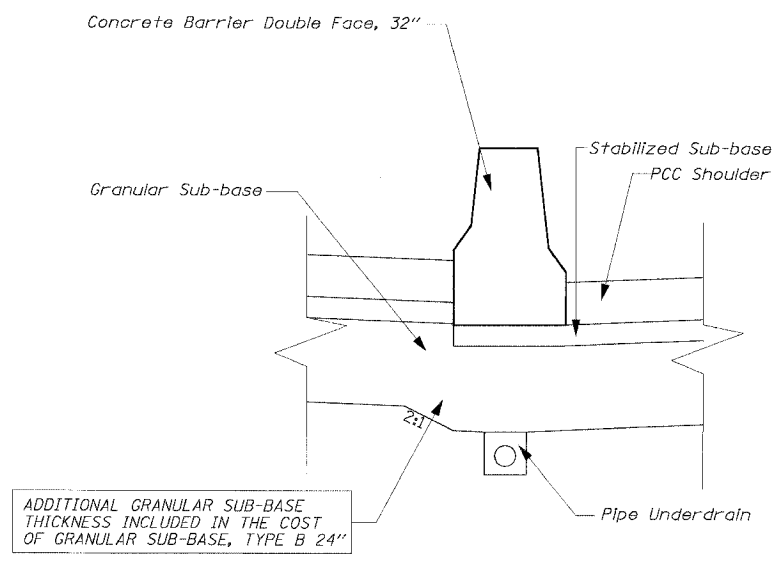
PIPE UNDERDRAINS 6" UNDER SINGLE FACE BARRIER WALL



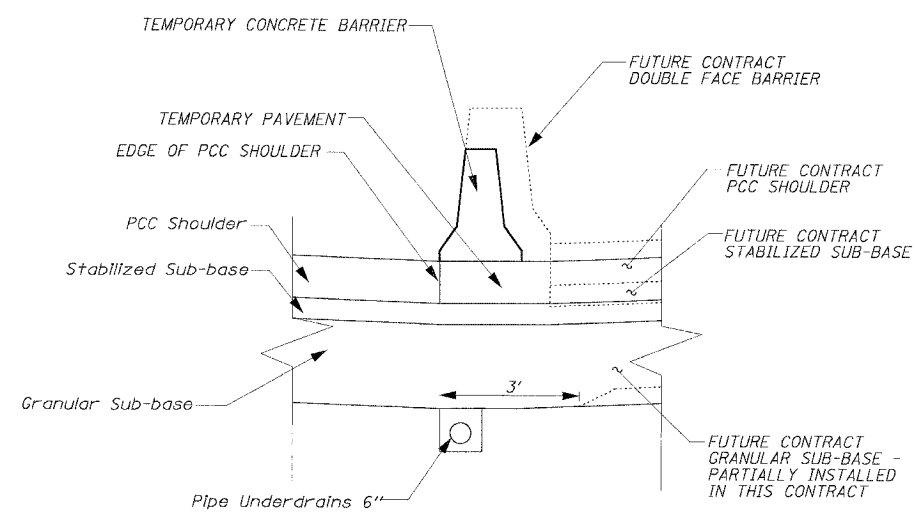
PIPE UNDERDRAINS 6" - UNDER TYPE M COMBINATION CONCRETE CURB & GUTTER



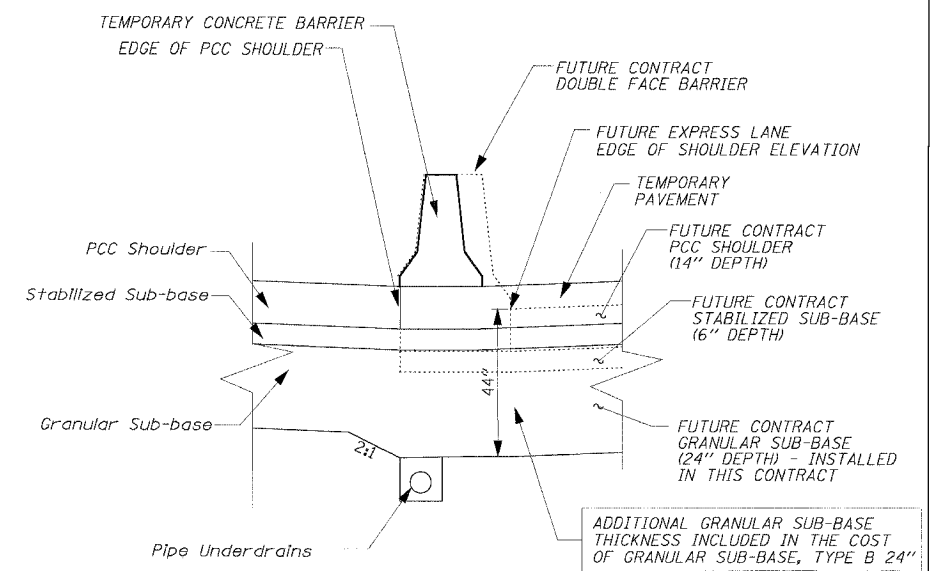
PIPE UNDERDRAINS 6" UNDER SHOULDER ADJACENT TO CTA



PIPE UNDERDRAINS 6" UNDER DOUBLE FACE BARRIER WALL



PIPE UNDERDRAINS 6" UNDER TEMPORARY CONCRETE BARRIER WALL SCENARIO A - FUTURE LOCAL LANES HIGHER THAN EXPRESS LANES



PIPE UNDERDRAINS 6" UNDER TEMPORARY CONCRETE BARRIER WALL SCENARIO B - FUTURE LOCAL LANES LOWER THAN EXPRESS LANES

..... INDICATES FUTURE CONTRACT CONSTRUCTION

..... INDICATES FUTURE CONTRACT CONSTRUCTION

**Edwards AND Kelcey**  
 ONE NORTH FRANKLIN  
 CHICAGO, IL 60606  
 PHONE: (312) 251-3000  
 FAX: (312) 251-3015  
 WEB: WWW.EKCORP.COM

REVISIONS	
NAME	DATE

ILLINOIS DEPARTMENT OF TRANSPORTATION  
 F.A.I. 94/90 (DAN RYAN EXPRESSWAY)  
 31ST STREET TO 71ST STREET  
 NB EXPRESS LANE RECONSTRUCTION  
 CIVIL DETAILS  
 PIPE UNDERDRAINS 6"  
 SCALE: NONE  
 DATE: 7/7/05  
 DRAWN BY: TAI  
 CHECKED BY: PJM

CDT-13

06/24/2005 01:31:41 PM