

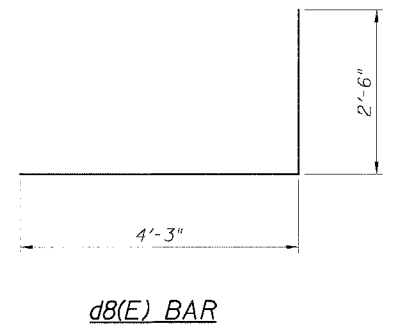
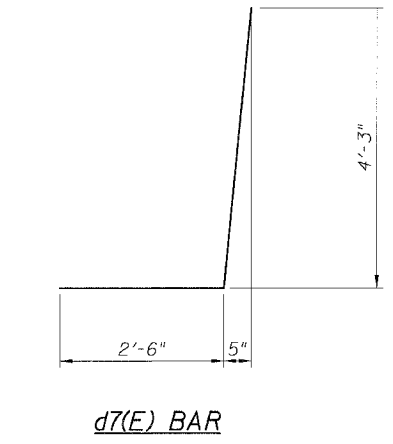
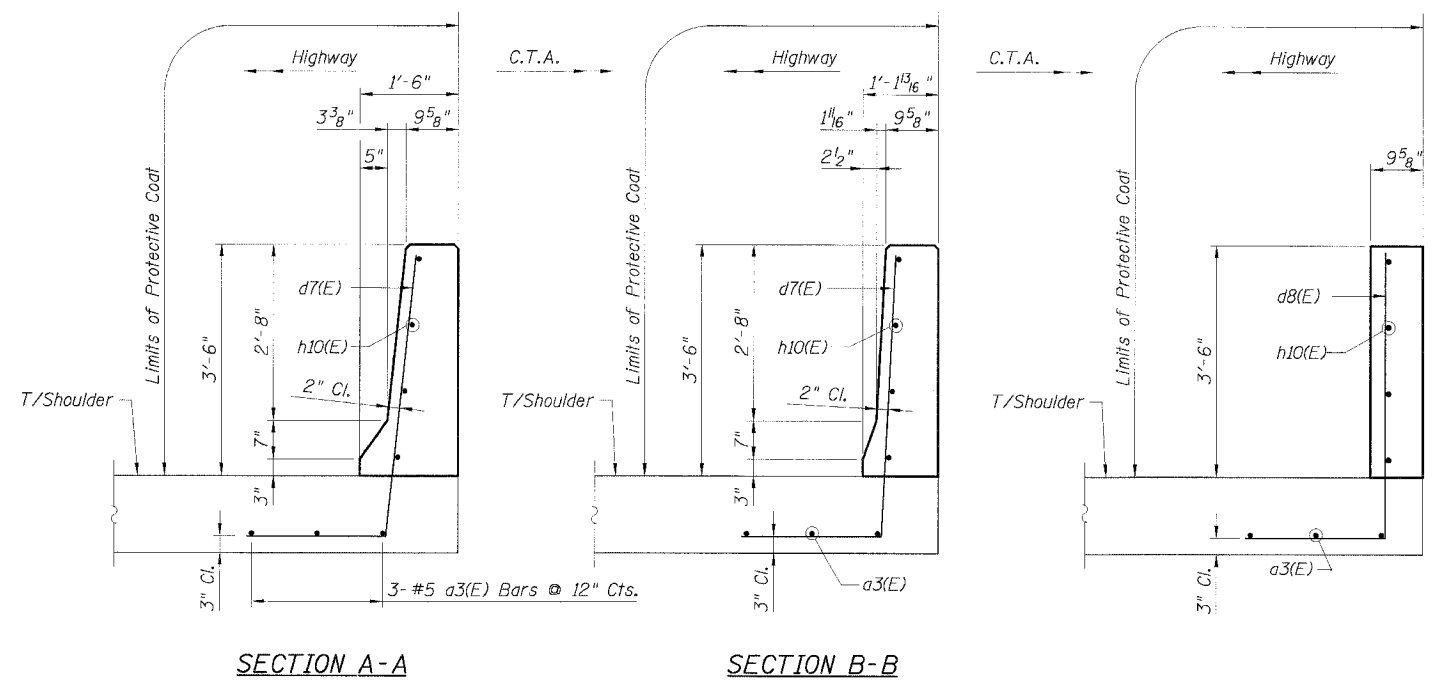
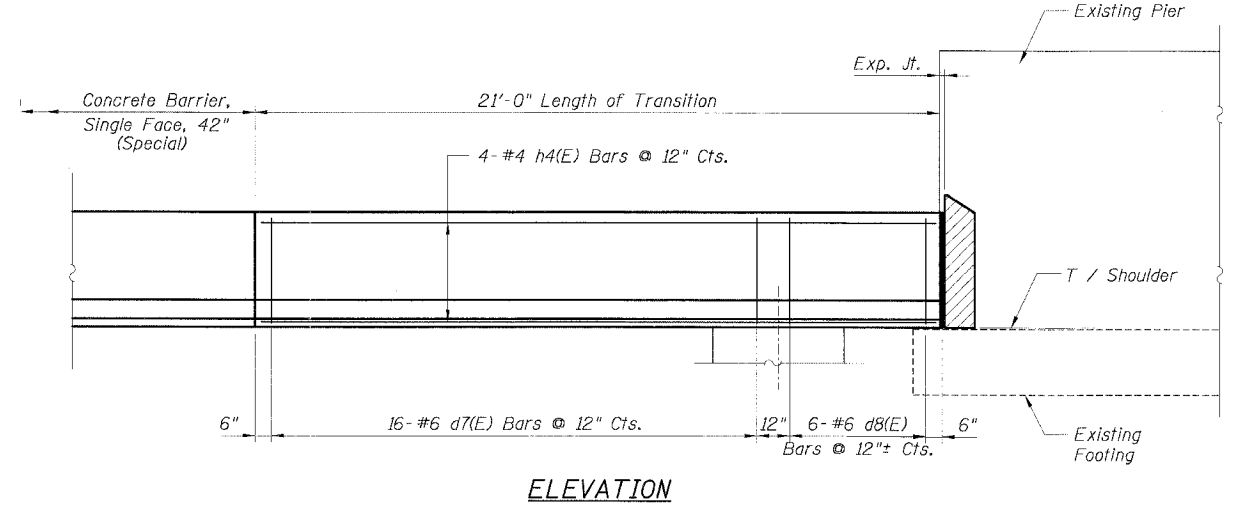
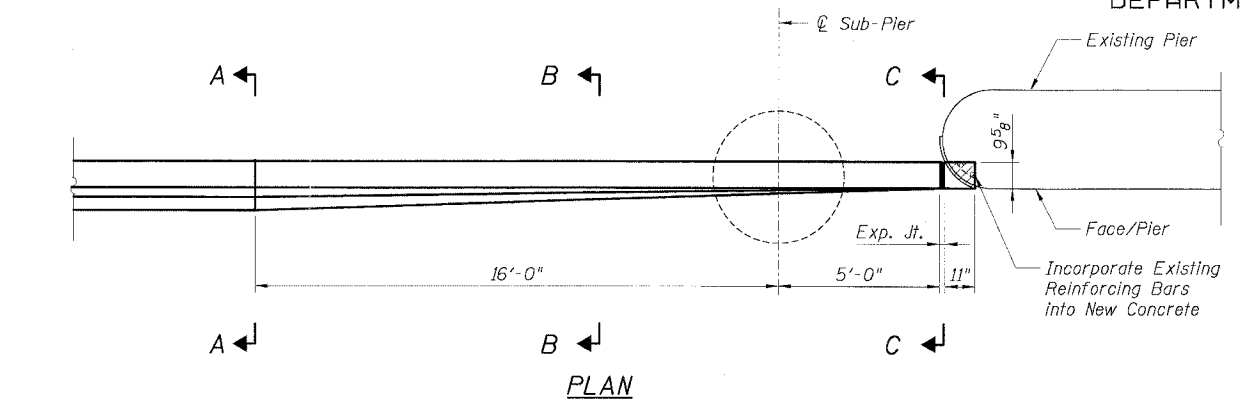
STATE OF ILLINOIS
DEPARTMENT OF TRANSPORTATION

F.A.I. RTE.	SECTION	COUNTY	TOTAL SHEETS	SHEET NO.
90/94	*	COOK	556	384
STA.		TO STA.		
FED. ROAD DIST. NO. 1 ILLINOIS FED. AID PROJECT				
* (1818, ETC, 2324.6-1)PR-8				62300

**BILL OF MATERIAL
FOR ONE TRANSITION**

Bar	No.	Size	Length	Shape
a3(E)	3	#5	20'-8"	
d7(E)	15	#6	6'-9"	
d8(E)	5	#6	6'-9"	
h10(E)	4	#4	20'-8"	

Item	Unit	Quantity
Reinforcement Bars, Epoxy Coated	Lbs.	365
Concrete Structures	Cu. Yd.	2.7
Protective Coat	Sq. Yd.	11
Concrete Removal	Cu. Yd.	0.1



LEGEND:



NOTES:

1. Provide joints in facing to match those in the existing barrier.
2. For Concrete Barrier, Single Face, 42" (Special), see Civil details.
3. For locations of Transition, see Roadway Plans.

CTE | AECOM

CTE
303 East Wacker Drive, Suite 600, Chicago, Illinois 60601-2071
T 312.238.0200 F 312.238.1109 www.cteaecom.com

REVISIONS	
NAME	DATE

Sheet B16 of 16
ILLINOIS DEPARTMENT OF TRANSPORTATION
F.A.I. 90/94 (DAN RYAN EXPRESSWAY)
EXISTING BARRIER WALL MODIFICATIONS
AT CTA STATIONS
PROP. T/SOULDER ABOVE OR BELOW EXISTING
NEW 42" BARRIER TO PIER
TRANSITION DETAILS
SCALE: None DRAWN BY: CHD
DATE: JULY 7, 2005 CHECKED BY: RDP

P:\90468\Stra\LEAK_Dwg\Chff_92300\03_CTA_BARRIER\PIER_TRANSITION.ctb