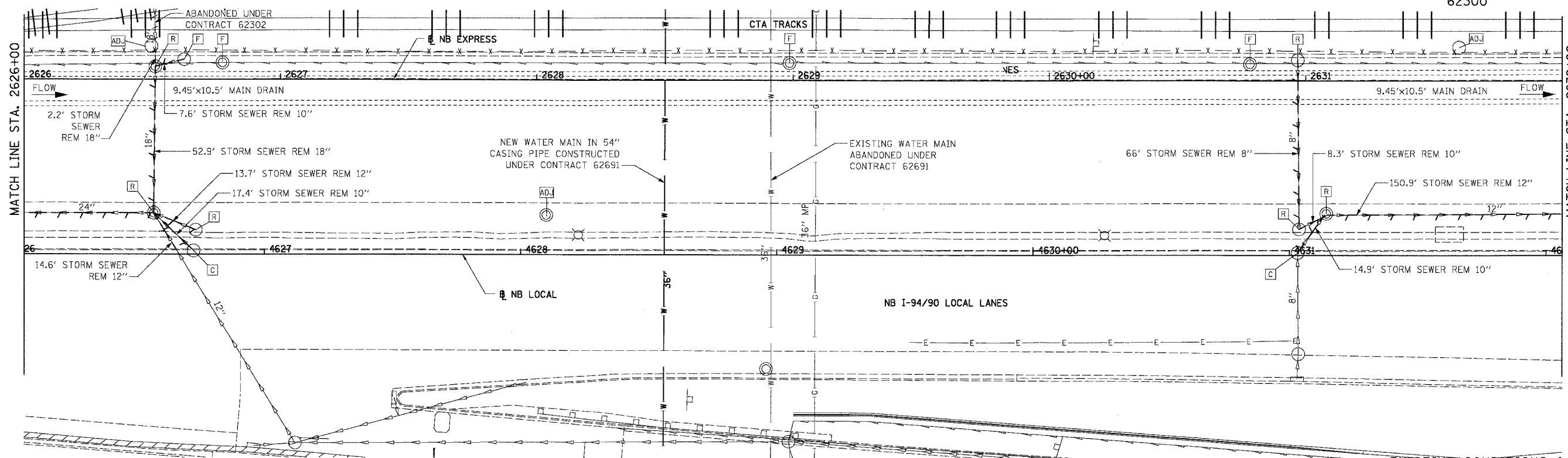
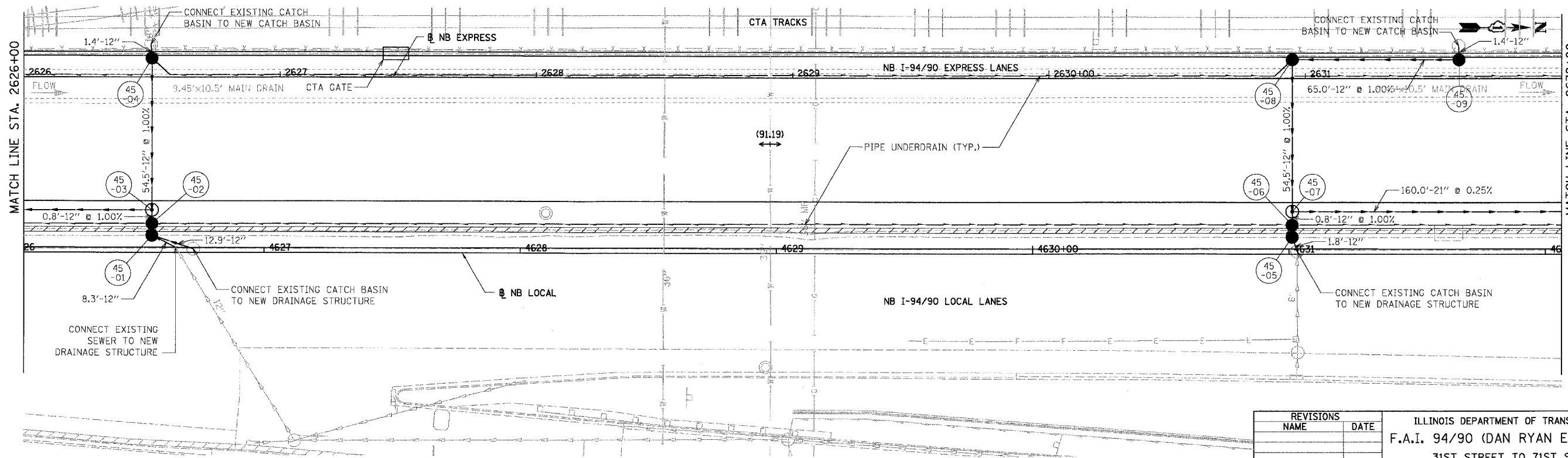


F.A.I.	SECTION	COUNTY	TOTAL SHEETS	SHEET NO.
94/90		COOK	556	201
STA. 62300		TO STA.		
FED. ROAD DIST. NO.		ILLINOIS FED. AID PROJECT		
		* (1818, ETC. 2324.6-1)PR-B		

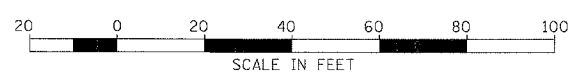


EXISTING CONDITIONS & REMOVALS



PROPOSED CONDITIONS

BOWMAN, BARRETT & ASSOCIATES INC.
CONSULTING ENGINEERS
Chicago, Illinois
312.228.0100
www.bbainc.com



REVISIONS	DATE
NAME	

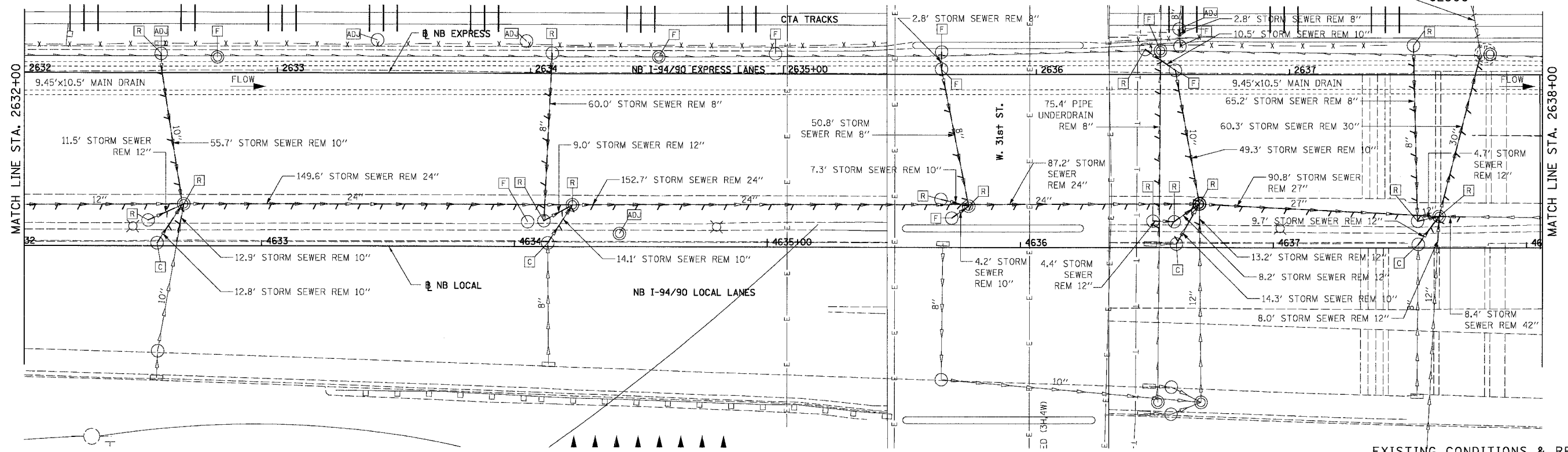
ILLINOIS DEPARTMENT OF TRANSPORTATION
F.A.I. 94/90 (DAN RYAN EXPRESSWAY)
31ST STREET TO 71ST STREET
NB EXPRESS LANE RECONSTRUCTION
DRAINAGE AND UTILITIES PLAN
NORTHBOUND STA. 2626+00 TO STA. 2632+00
SCALE: 1"=20'
DATE: 07/07/05
DRAWN BY: JAM
CHECKED BY: DDM

DU-45
12/28/2005

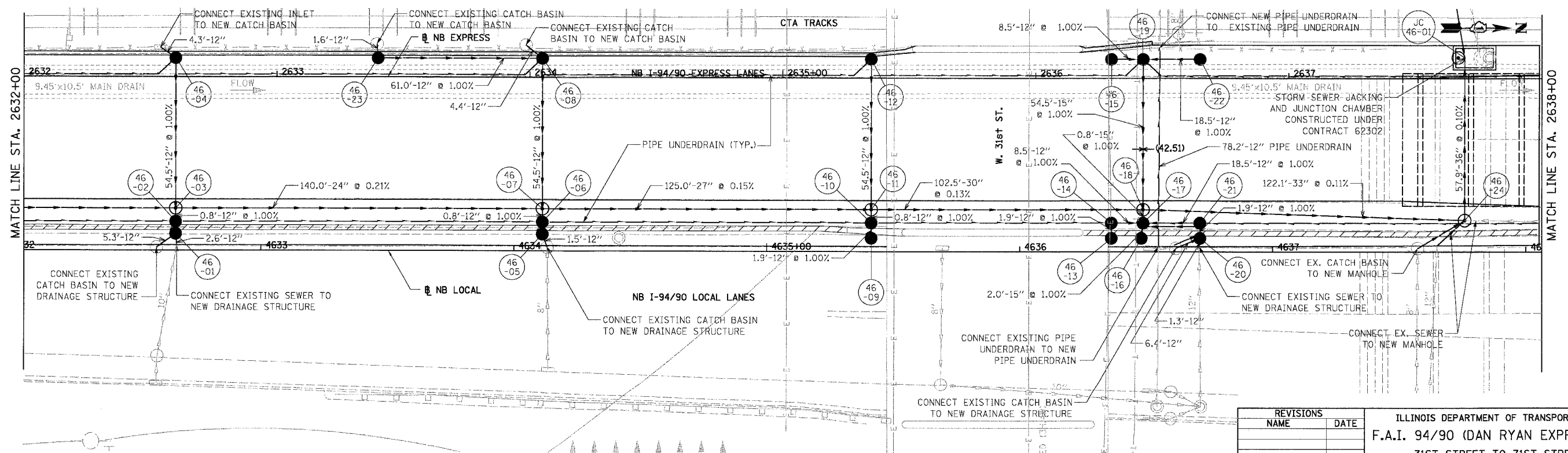
F.A.I.	SECTION	COUNTY	TOTAL SHEETS	SHEET NO.
94/90	*	COOK	556	202
STA.	TO STA.			
FED. ROAD DIST. NO.	ILLINOIS	FED. AID PROJECT		
CONTRACT	1818, ETC, 2324.6-1PIR-8			

36" STORM SEWER
ABANDONED UNDER
CONTRACT 62302

62300



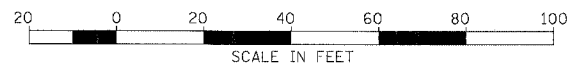
EXISTING CONDITIONS & REMOVALS



DU-46

REVISIONS	
NAME	DATE

ILLINOIS DEPARTMENT OF TRANSPORTATION
F.A.I. 94/90 (DAN RYAN EXPRESSWAY)
31ST STREET TO 71ST STREET
NB EXPRESS LANE RECONSTRUCTION
DRAINAGE AND UTILITIES PLAN
NORTHBOUND STA. 2632+00 TO STA. 2638+00
SCALE: 1"=20'
DATE: 07/07/05
DRAWN BY: JAM
CHECKED BY: DDM



PROPOSED CONDITIONS

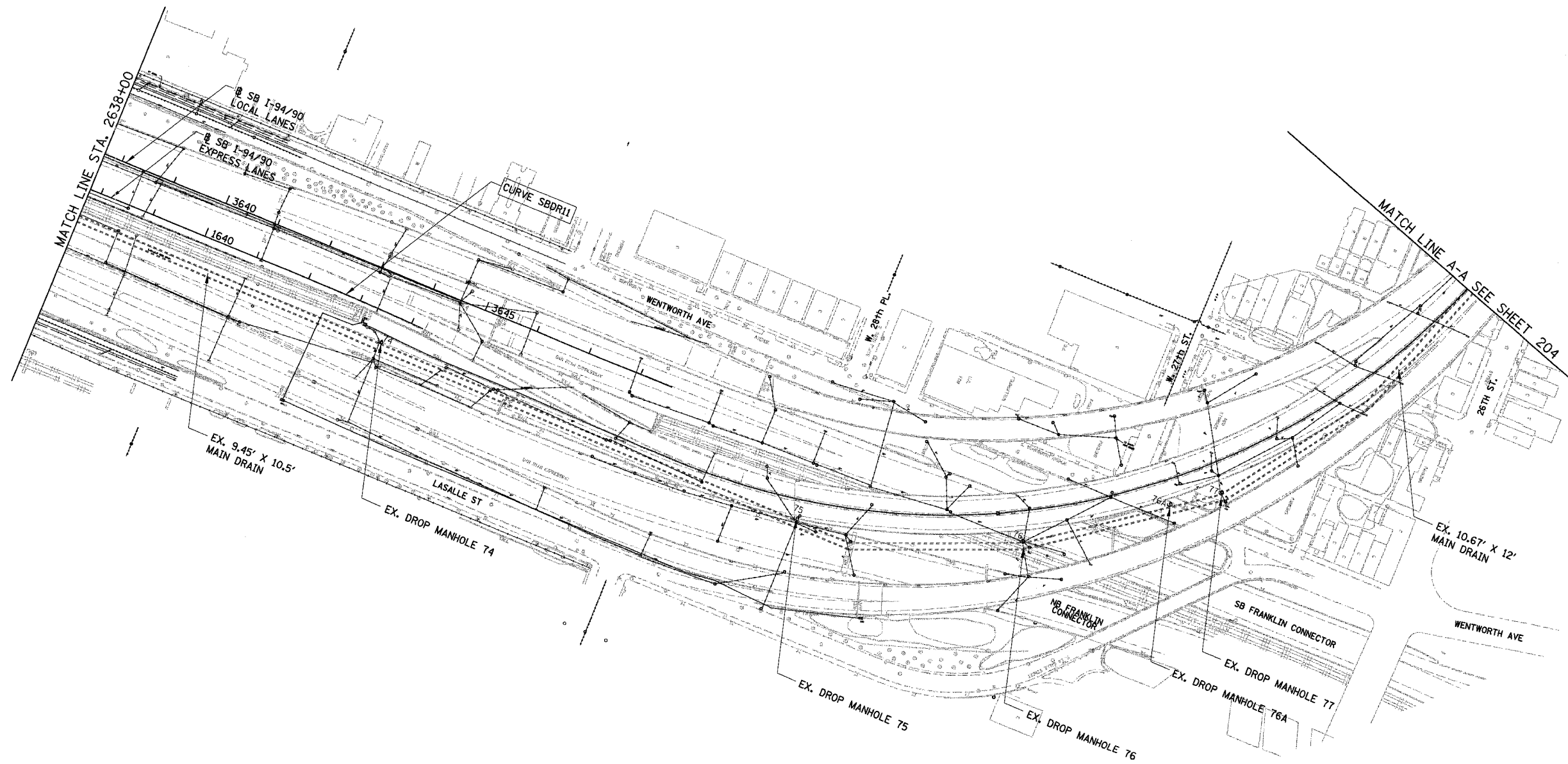
BOWMAN, BARRETT & ASSOCIATES INC
CONSULTING ENGINEERS
Chicago, Illinois
312.228.0100
www.bbandainc.com

12/6/02 PM
06/28/2005

DROP MANHOLE LOCATIONS:

- DMH 74: COULD NOT LOCATE.
- DMH 75: MANHOLE IS LOCATED UNDERNEATH THE I94 INBOUND EXPRESS LANES. TAKE THE 22ND STREET EXIT AND THE MANHOLE IS NEXT TO THE LEFT SHOULDER, APPROXIMATELY 100' SOUTH OF AN OVERHEAD SIGN FOR 22ND STREET.
- DMH 76: LOCATED BELOW THE I94 OUTBOUND EXPRESS LANES. MANHOLE IS IN THE LEFT SHOULDER OF THE SOUTHBOUND CHINA TOWN RAMP SOUTH OF 27TH STREET.
- DMH 76A: COULD NOT LOCATE.
- DMH 77: LOCATED BELOW I94 IN A LOT AT 27TH STREET AND WENTWORTH. MANHOLE IS 50' WEST OF WENTWORTH AND 125' NORTH OF 27TH STREET.

F.A.I.	SECTION	COUNTY	TOTAL SHEETS	SHEET NO.
94/90	*	COOK	556	203
STA. 2638+00		TO STA.		
FED. ROAD DIST. NO.	ILLINOIS	FED. AID PROJECT		
62300		* (1818, ETC, 2324.6-1PIR-8		



NOTE: NO PROPOSED DRAINAGE WORK THIS SHEET. THIS SHEET PROVIDED FOR INFORMATION ONLY EXISTING MAIN DRAIN DROP MANHOLE LOCATIONS SHOWN BASED ON 2002 MAIN DRAIN TELEVISIONING REPORT.

BOWMAN, BARRETT & ASSOCIATES INC.
CONSULTING ENGINEERS
134 EAST RANDOLPH STREET SUITE 2450 CHICAGO, ILLINOIS 60601
JOB NO. 600

REVISIONS	
NAME	DATE

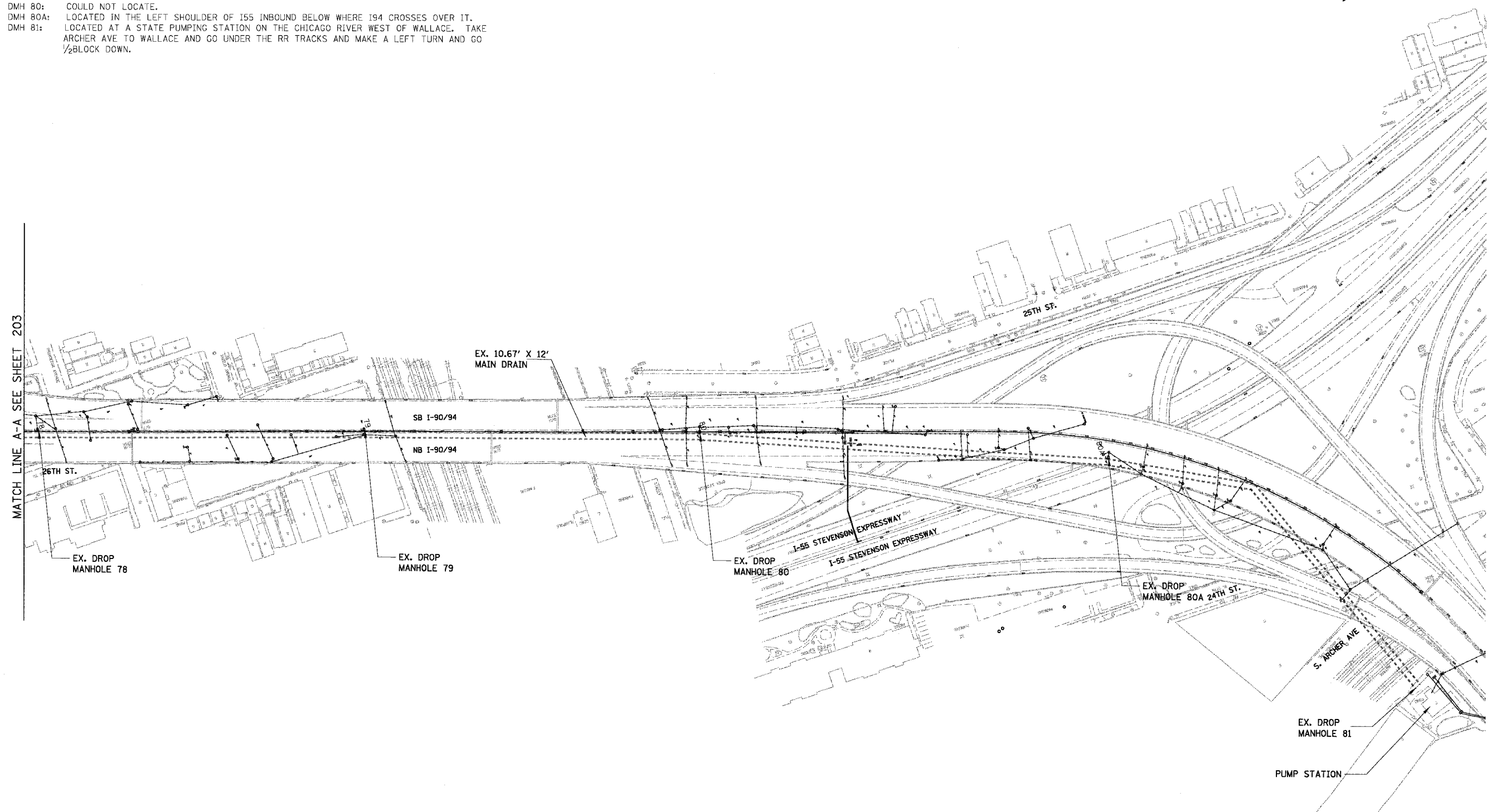
ILLINOIS DEPARTMENT OF TRANSPORTATION
F.A.I. 94/90 (DAN RYAN EXPRESSWAY)
31ST STREET TO 71ST STREET
NB EXPRESS LANE RECONSTRUCTION
DRAINAGE AND UTILITIES PLAN
EXISTING MAIN DRAIN NORTH OF 31ST
SCALE: 1"=100'
DATE: 07/07/05
DRAWN BY: JAM
CHECKED BY: DDM

DU-47
03/26/05 PM

DROP MANHOLE LOCATIONS:

- DMH 78: LOCATED BELOW I94 IN A PARKING LOT FOR RICOBENES RESTAURANT AT 26TH STREET AND PRINCETON. MANHOLE IS APPROXIMATELY 50' EAST OF PRINCETON AND 100' SOUTH OF 26TH STREET.
- DMH 79: LOCATED BELOW I94 IN A STATE OWNED LOT AT 26TH AND STEWART. MANHOLE IS 40' EAST OF STEWART AND 75' NORTH OF 26TH STREET. NOTE: THIS MANHOLE IS BEHIND A LOCKED FENCE.
- DMH 80: COULD NOT LOCATE.
- DMH 80A: LOCATED IN THE LEFT SHOULDER OF I55 INBOUND BELOW WHERE I94 CROSSES OVER IT.
- DMH 81: LOCATED AT A STATE PUMPING STATION ON THE CHICAGO RIVER WEST OF WALLACE. TAKE ARCHER AVE TO WALLACE AND GO UNDER THE RR TRACKS AND MAKE A LEFT TURN AND GO 1/2 BLOCK DOWN.

F.A.I.	SECTION	COUNTY	TOTAL SHEETS	SHEET NO.
94/90		COOK	556	204
STA. 2638+00		TO STA.		
FED. ROAD DIST. NO.	ILLINOIS	FED. AID PROJECT		
62300		1B18, ETC, 2324.6-1P1R-B		



MATCH LINE A-A SEE SHEET 203

NOTE: NO PROPOSED DRAINAGE WORK THIS SHEET.
 THIS SHEET PROVIDED FOR INFORMATION ONLY
 EXISTING MAIN DRAIN DROP MANHOLE LOCATIONS SHOWN
 BASED ON 2002 MAIN DRAIN TELEVISIONING REPORT.

BOWMAN, BARRETT & ASSOCIATES INC.
 CONSULTING ENGINEERS
 134 EAST RANDOLPH STREET SUITE 2150 CHICAGO, ILLINOIS 60601
 JOB NO. 448

REVISIONS	
NAME	DATE

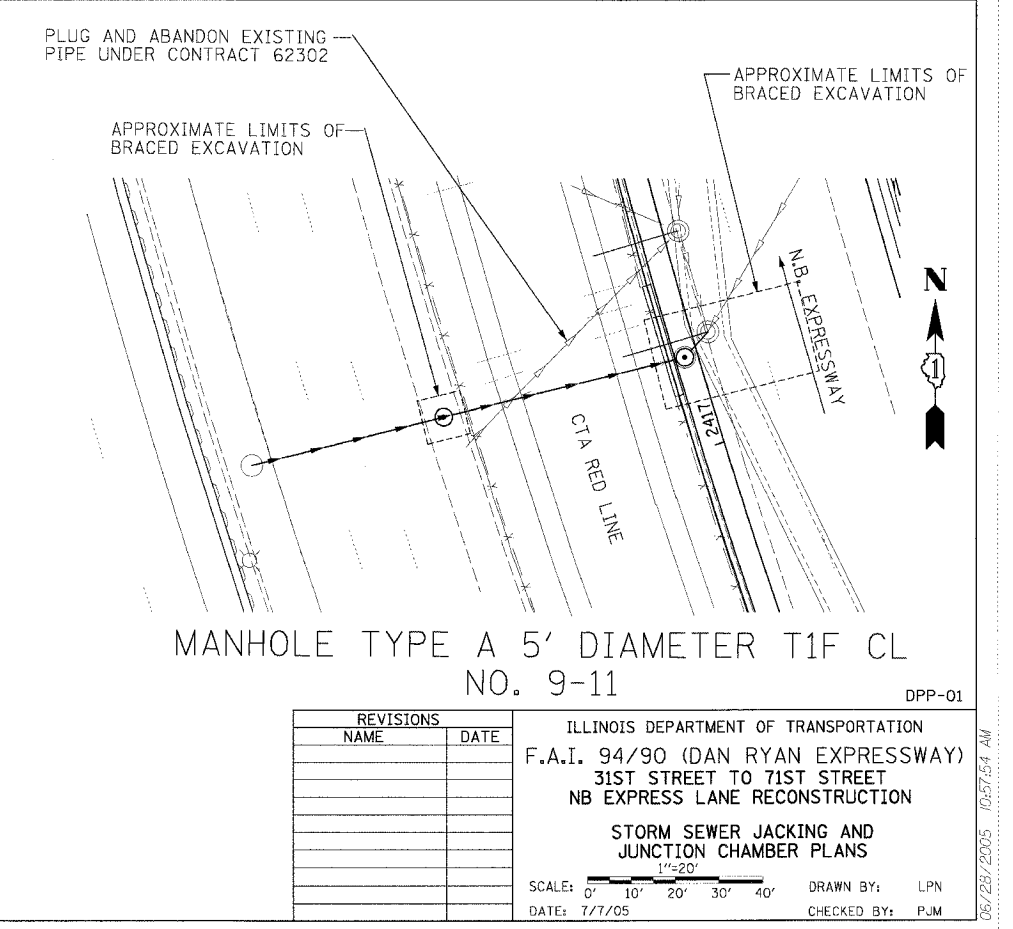
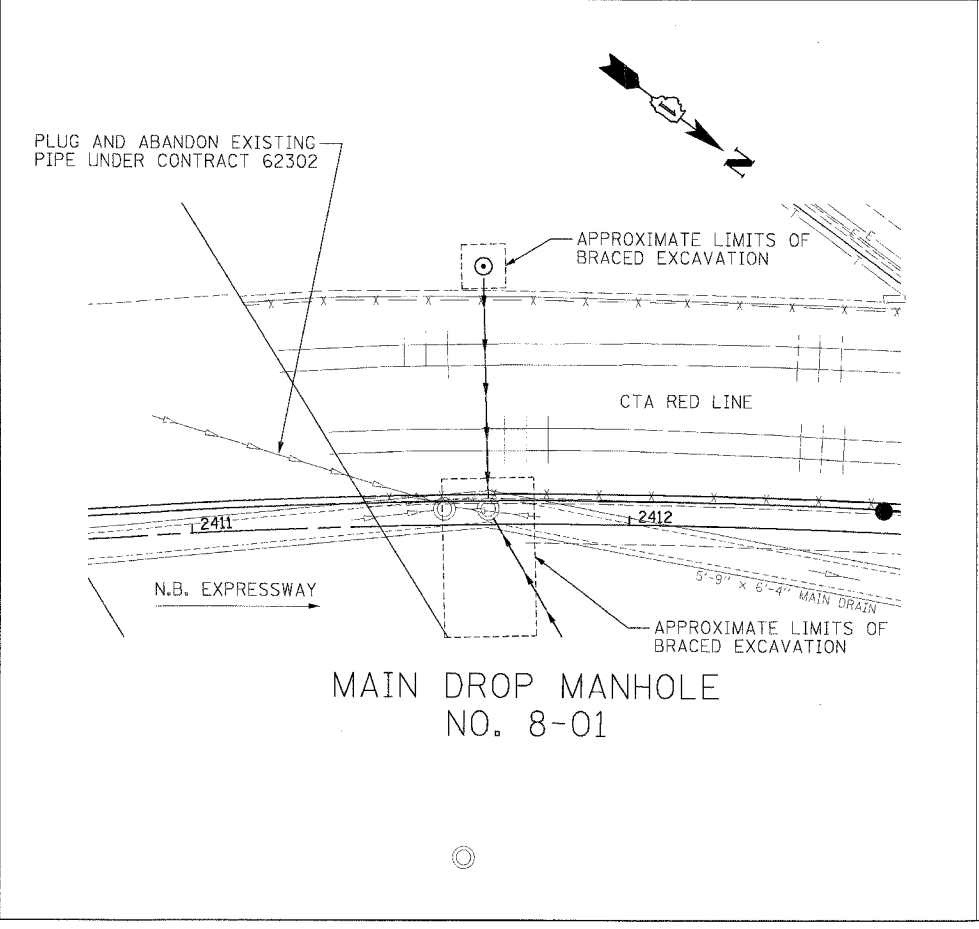
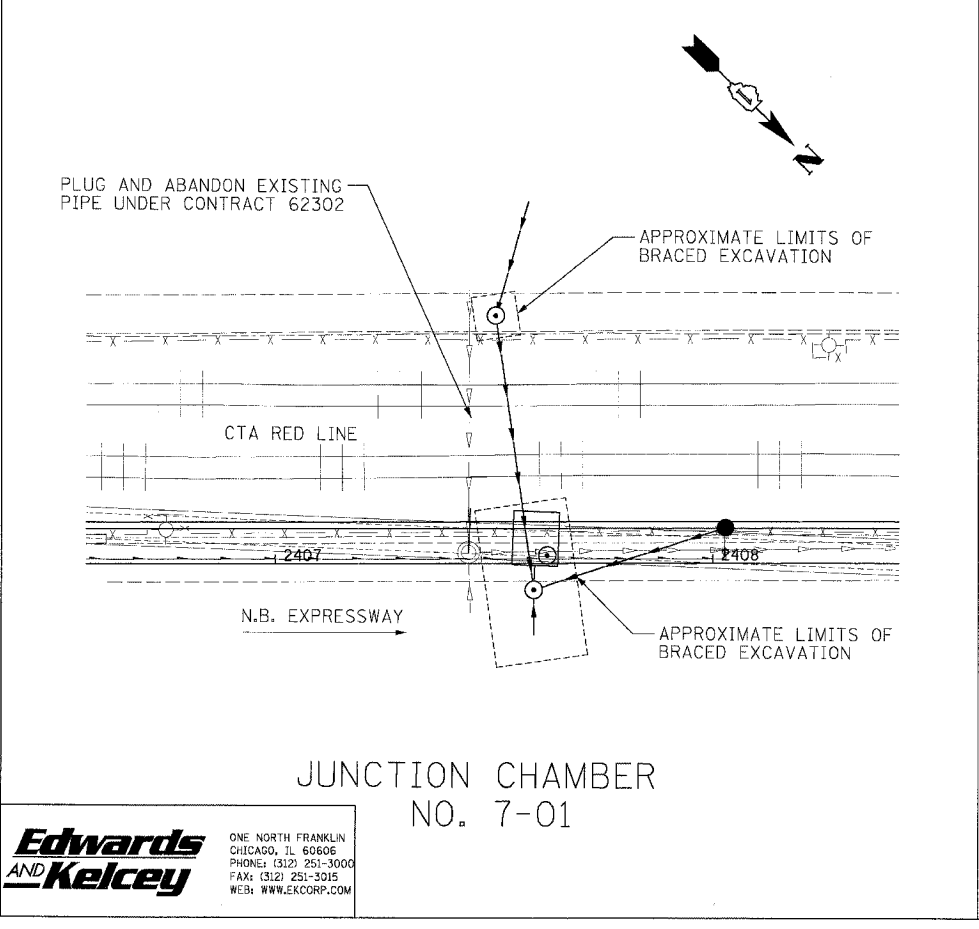
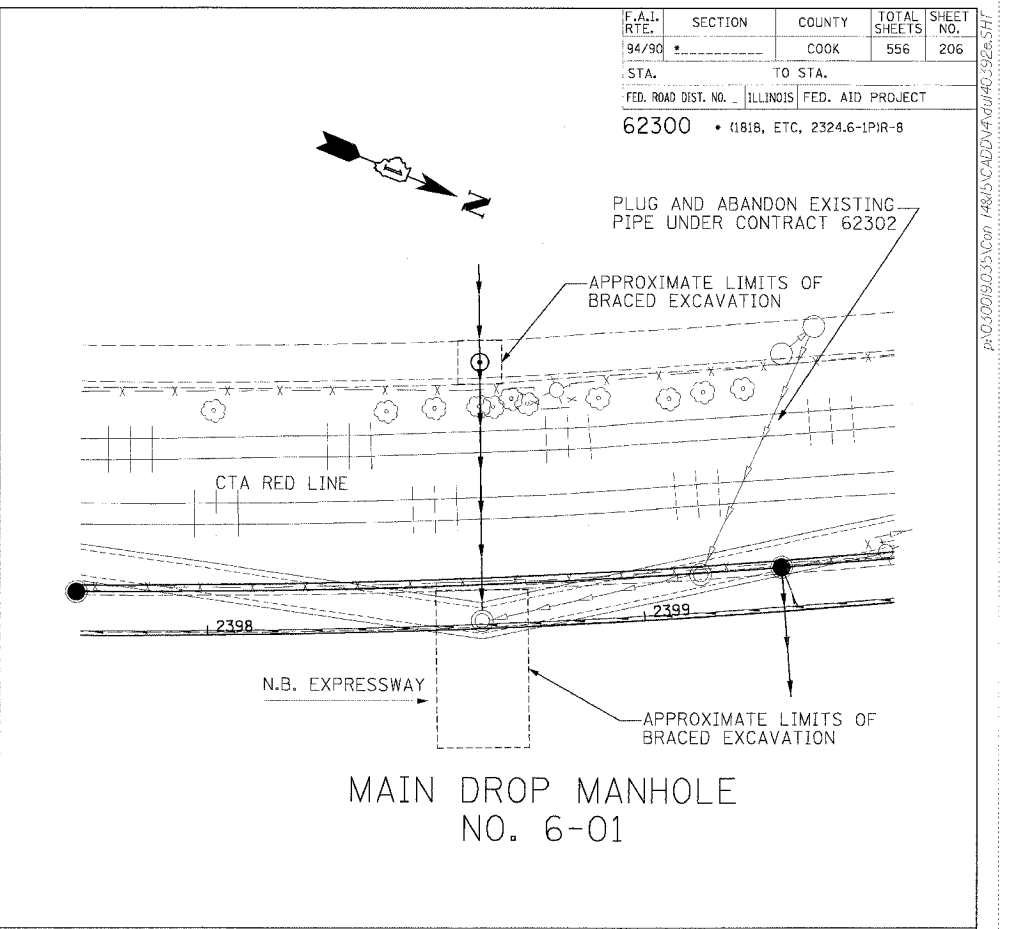
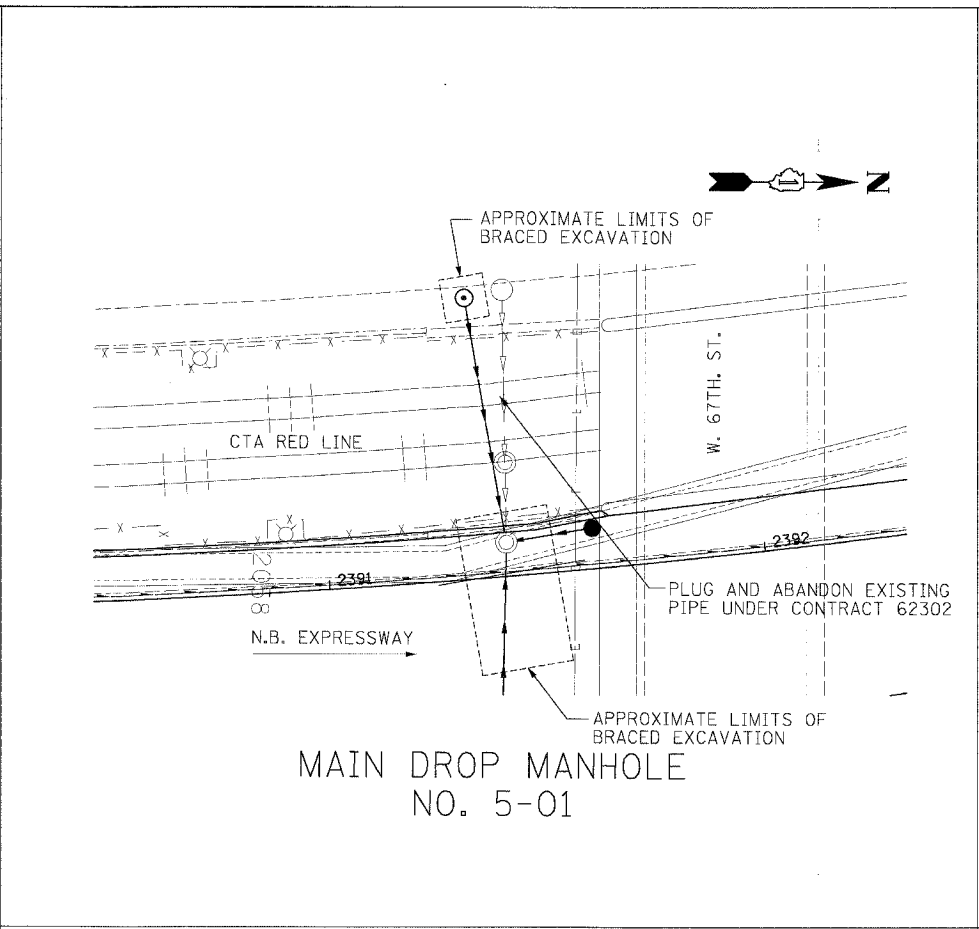
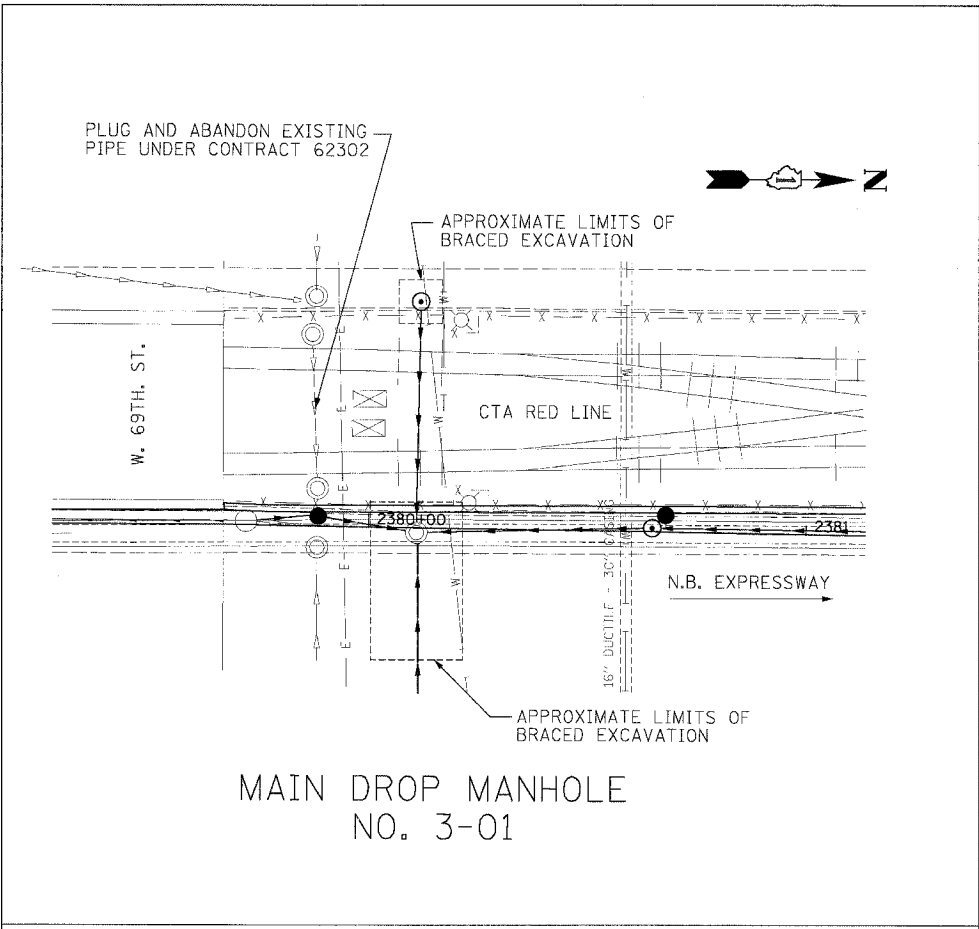
ILLINOIS DEPARTMENT OF TRANSPORTATION
 F.A.I. 94/90 (DAN RYAN EXPRESSWAY)
 31ST STREET TO 71ST STREET
 NB EXPRESS LANE RECONSTRUCTION
 DRAINAGE AND UTILITIES PLAN
 EXISTING MAIN DRAIN NORTH OF 31ST

SCALE: 1"=100'
 DATE: 07/07/05

DRAWN BY: JAM
 CHECKED BY: DDM

DU-48
 03/26/03 PM
 06/24/2005

F.A.I. RTE.	SECTION	COUNTY	TOTAL SHEETS	SHEET NO.
94/90		COOK	556	206
STA.	TO STA.			
FED. ROAD DIST. NO.	ILLINOIS	FED. AID PROJECT		
62300	• (1818, ETC, 2324.6-1)PR-B			



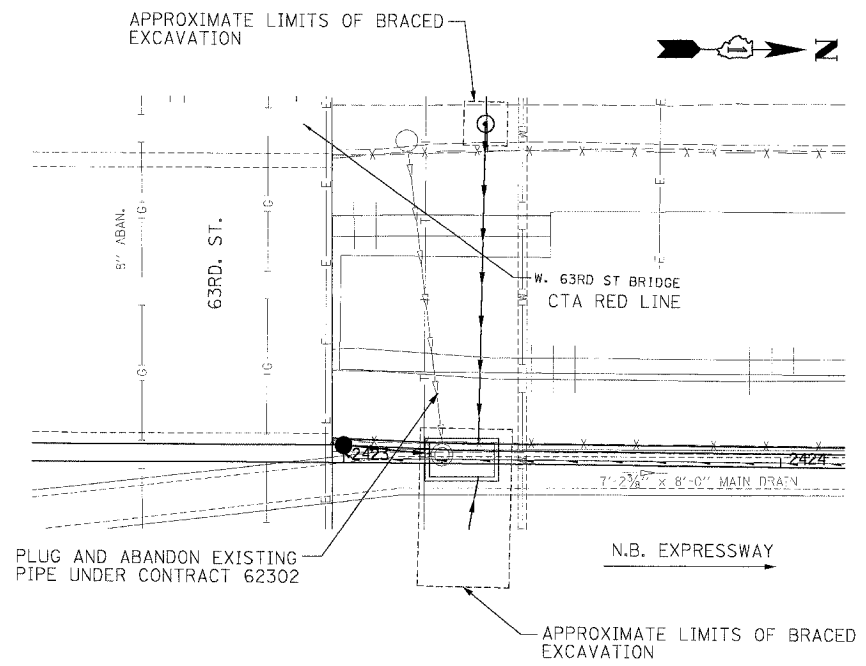
Edwards AND Kelcey
 ONE NORTH FRANKLIN CHICAGO, IL 60606
 PHONES: (312) 251-3000
 FAX: (312) 251-3015
 WEB: WWW.EKCORP.COM

REVISIONS	
NAME	DATE

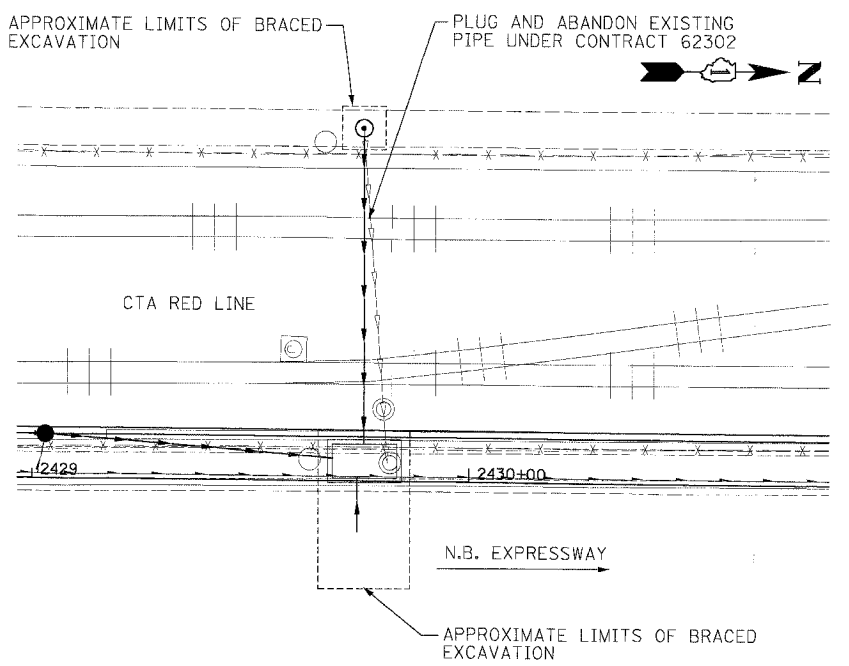
ILLINOIS DEPARTMENT OF TRANSPORTATION
 F.A.I. 94/90 (DAN RYAN EXPRESSWAY)
 31ST STREET TO 71ST STREET
 NB EXPRESS LANE RECONSTRUCTION
 STORM SEWER JACKING AND
 JUNCTION CHAMBER PLANS
 SCALE: 1"=20'
 DATE: 7/7/05
 DRAWN BY: LPN
 CHECKED BY: PJM

P:\0-000\90.35\Con 14815\CAD\N\Drawn\40.2926.sft
 06/28/2005 10:57:54 AM

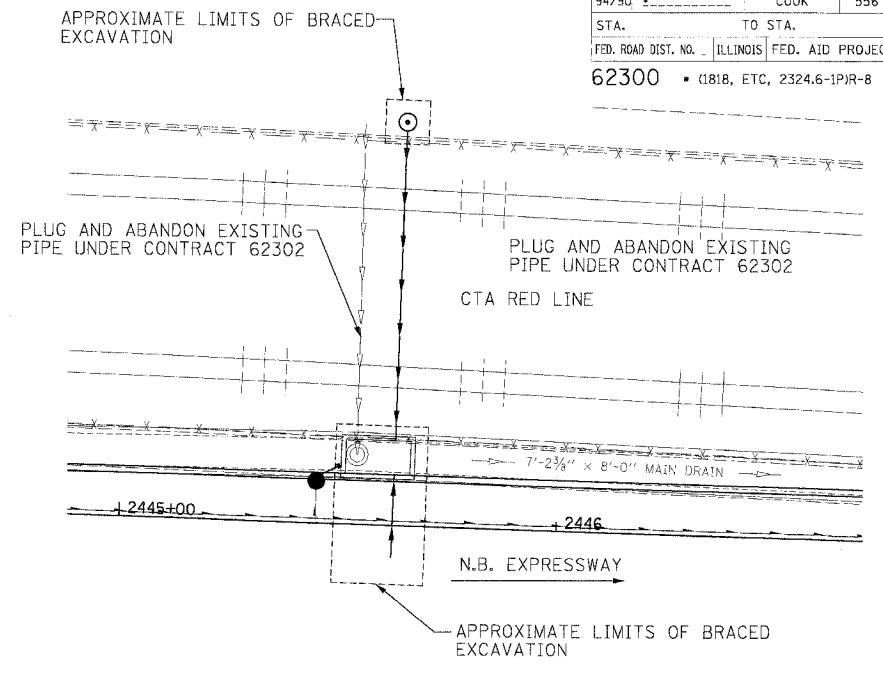
F.A.I. R.F.E.:	SECTION	COUNTY	TOTAL SHEETS	SHEET NO.
94/90		COOK	556	207
STA.	TO STA.			
FED. ROAD DIST. NO.	ILLINOIS	FED. AID PROJECT		
62300	1818, ETC, 2324.6-1P1R-8			



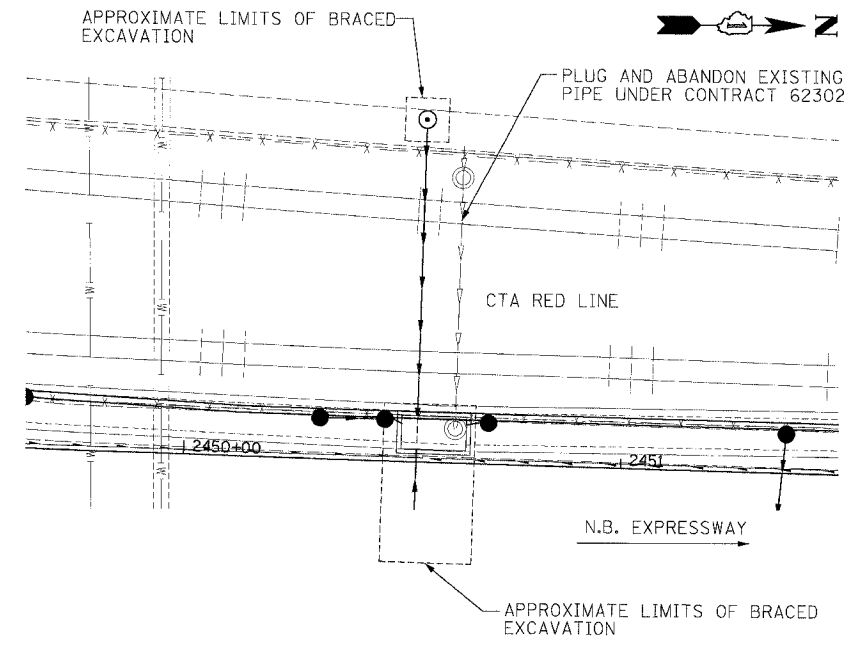
JUNCTION CHAMBER
NO. 10-01



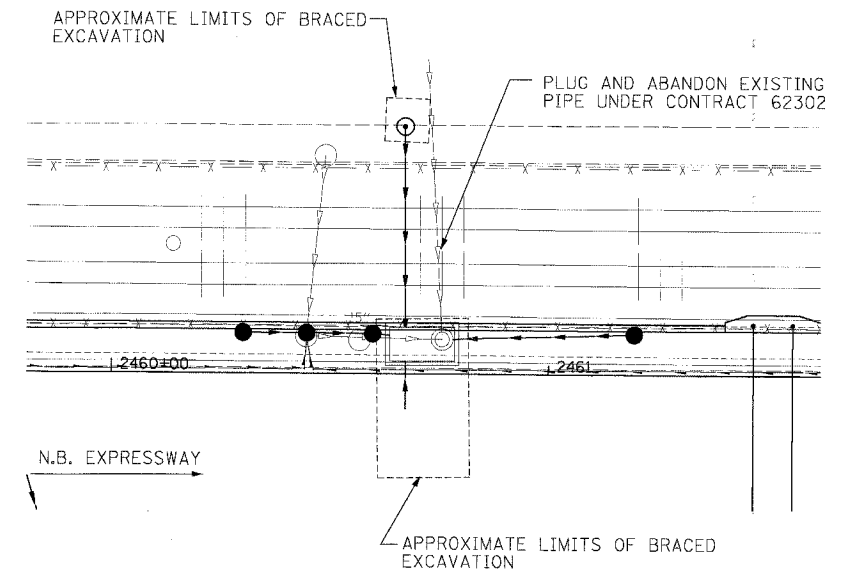
JUNCTION CHAMBER
NO. 11-01



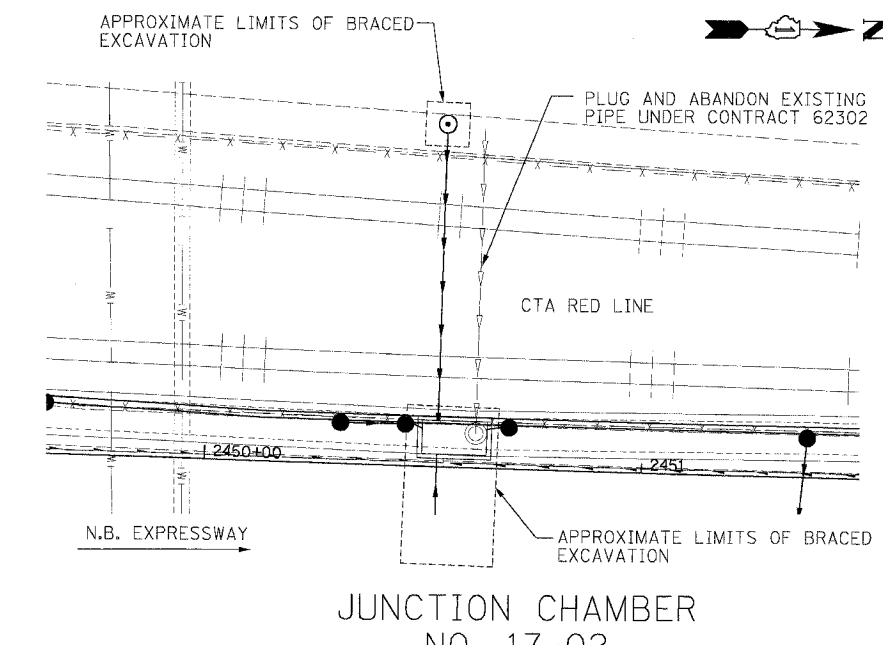
JUNCTION CHAMBER
NO. 14-01



JUNCTION CHAMBER
NO. 15-01



JUNCTION CHAMBER
NO. 17-01



JUNCTION CHAMBER
NO. 17-02

**Edwards
AND
Kelcey**

ONE NORTH FRANKLIN
CHICAGO, IL 60606
PHONE: (312) 251-3000
FAX: (312) 251-3015
WEB: WWW.EKCORP.COM

REVISIONS	
NAME	DATE

ILLINOIS DEPARTMENT OF TRANSPORTATION
F.A.I. 94/90 (DAN RYAN EXPRESSWAY)
31ST STREET TO 71ST STREET
NB EXPRESS LANE RECONSTRUCTION

STORM SEWER JACKING AND
JUNCTION CHAMBER PLANS

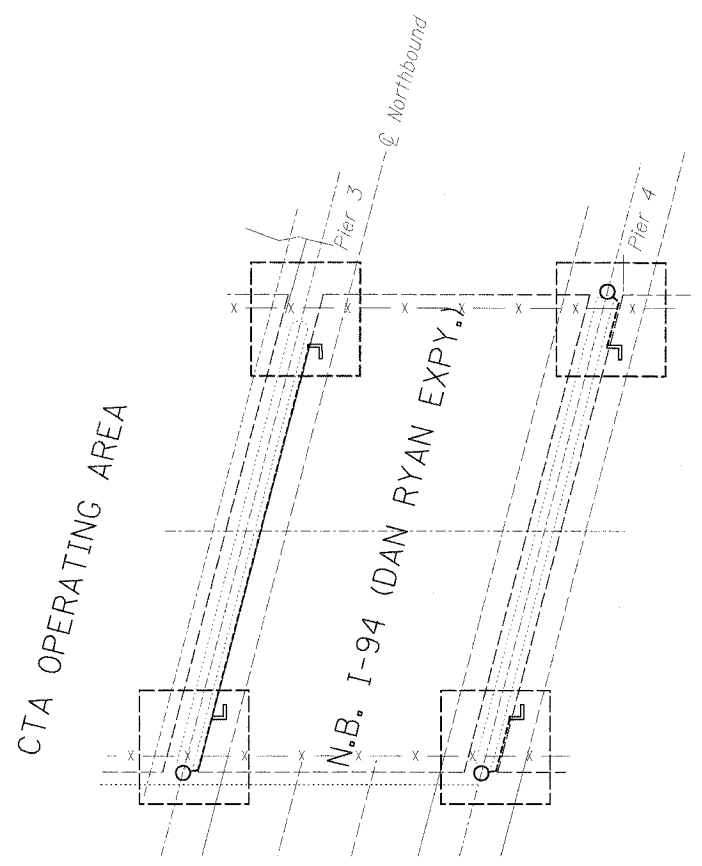
SCALE: 0' 10' 20' 30' 40'

DATE: 7/7/05

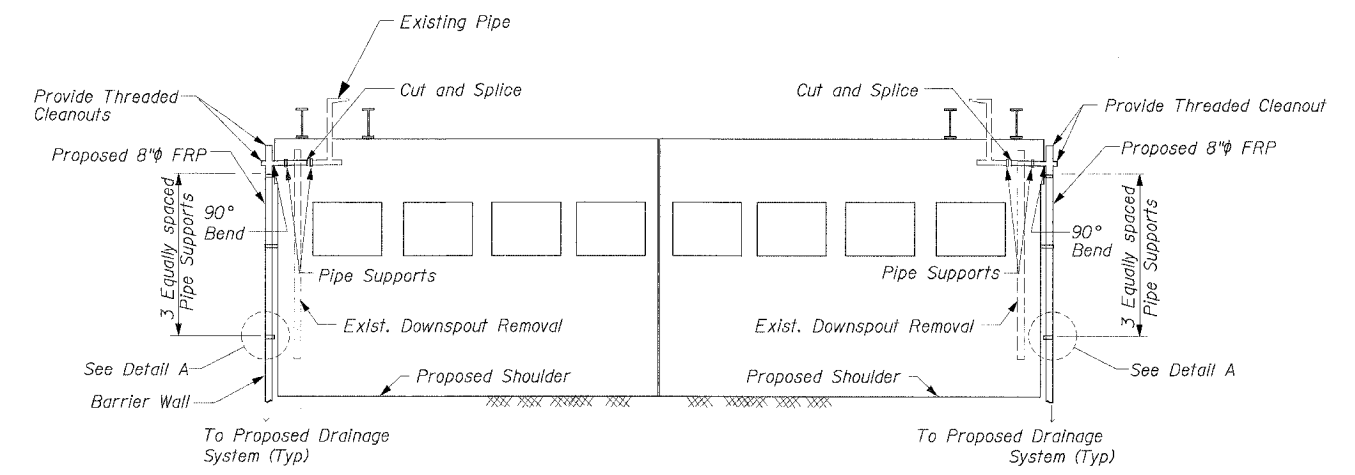
DRAWN BY: LPN
CHECKED BY: PJM

PA:030019035 Con 4815/CADD/4/10/04/02/25/17 06/26/2005 10:57:42 AM

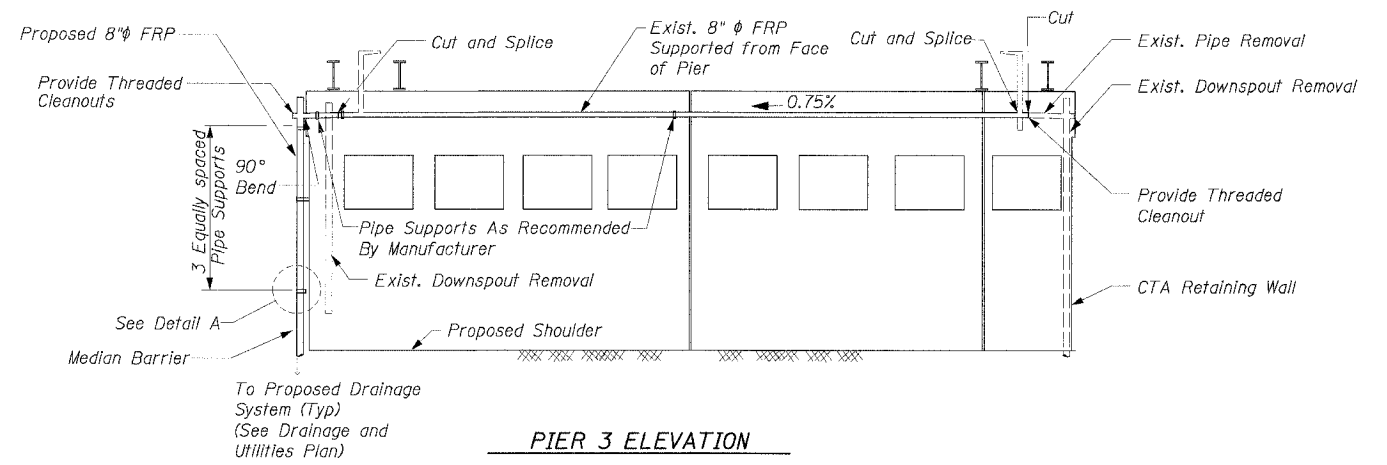
F.A.I. RTE:	SECTION	COUNTY	TOTAL SHEETS	SHEET NO.
94/90		COOK	556	208
STA.	TO STA.			
FED. ROAD DIST. NO.	ILLINOIS		FED. AID PROJECT	
62300	(1818, ETC, 2324.6-1PIR-8			



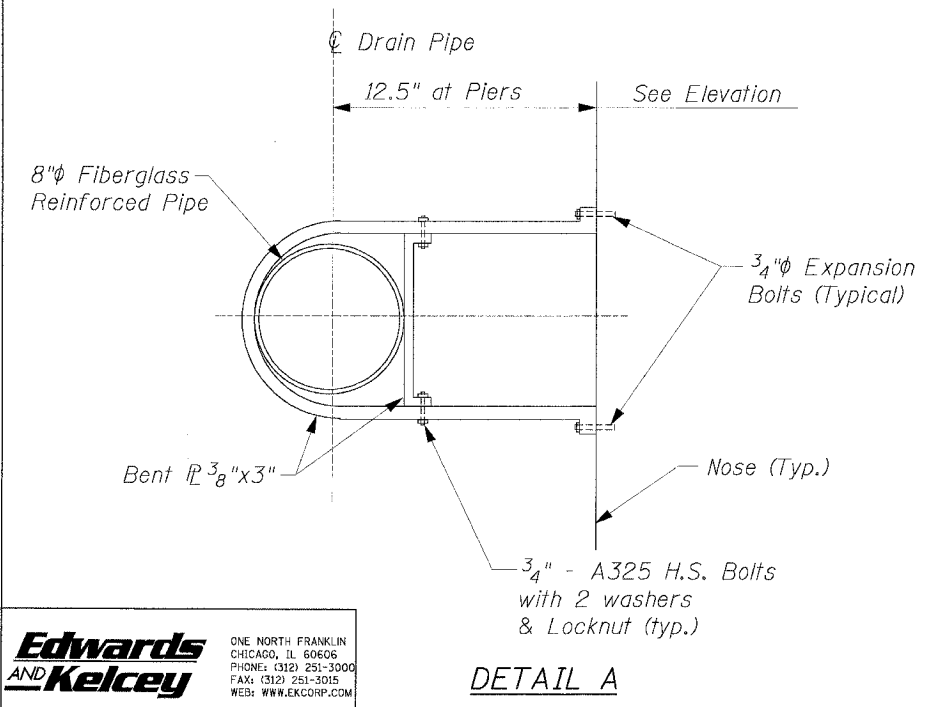
PLAN



PIER 4 ELEVATION



PIER 3 ELEVATION



DETAIL A

NOTES:

1. This work paid for as 'Drainage System' Lump Sum.
2. All cast iron parts shall be gray iron conforming to the requirements of AASHTO M 105, Class 30.
3. Cost for Connection of Drainage Downspouts @ Piers to the proposed drainage structure is included with 'Drainage System'.
4. Cost for Supporting 8" ϕ FRP to be included with "Drainage System".

Edwards AND Kelcey
 ONE NORTH FRANKLIN
 CHICAGO, IL 60606
 PHONE: (312) 251-3000
 FAX: (312) 251-3015
 WEB: WWW.EKCORP.COM

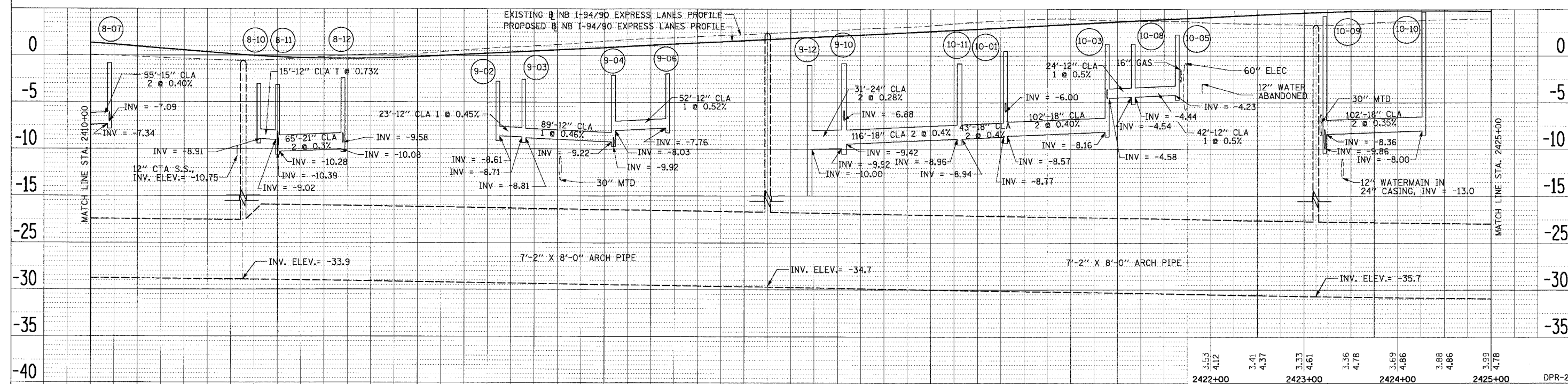
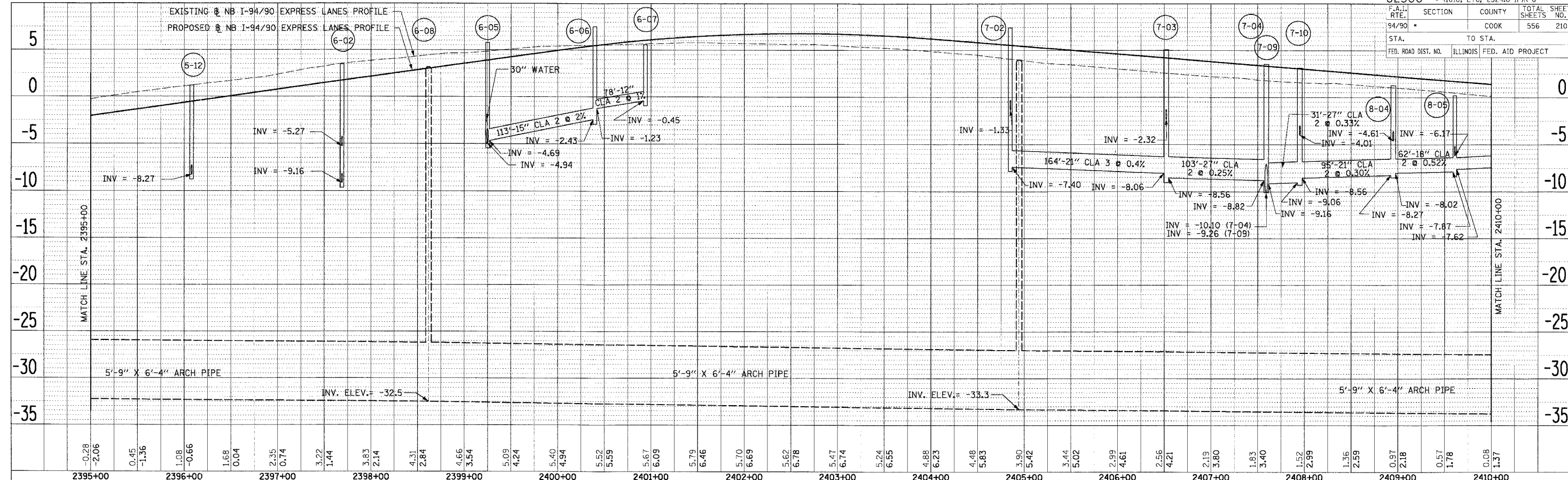
REVISIONS	
NAME	DATE

ILLINOIS DEPARTMENT OF TRANSPORTATION
 F.A.I. 94/90 (DAN RYAN EXPRESSWAY)
 31ST STREET TO 71ST STREET
 NB EXPRESS LANE RECONSTRUCTION
 47TH ST. DOWNSPOUT RELOCATIONS

SCALE: N.T.S. DRAWN BY: LPN
 DATE: 7/7/05 CHECKED BY: PJM

P:\03009\035\com 148\15\CADD\47th\47th.dwg 06/24/2005 04:50:33 PM

F.A.I. SECTION	COUNTY	TOTAL SHEETS	SHEET NO.
94/90	COOK	556	210
STA. TO STA.		FED. ROAD DIST. NO. ILLINOIS FED. AID PROJECT	



DATE	BY
DATE	BY

DATE	BY
DATE	BY

2422+00	3.53 4.12	2423+00	3.41 4.37	2424+00	3.33 4.61	2425+00	3.36 4.78	3.69 4.86	3.88 4.86	3.99 4.78	DPR-2												
<table border="1"> <thead> <tr> <th>REVISIONS</th> <th>NAME</th> <th>DATE</th> </tr> </thead> <tbody> <tr> <td> </td> <td> </td> <td> </td> </tr> <tr> <td> </td> <td> </td> <td> </td> </tr> <tr> <td> </td> <td> </td> <td> </td> </tr> </tbody> </table>												REVISIONS	NAME	DATE									
REVISIONS	NAME	DATE																					

Edwards and Kelcey
 ONE NORTH FRANKLIN
 CHICAGO, IL 60606
 PHONE: (312) 251-3000
 FAX: (312) 251-3015
 WEB: WWW.EKCORP.COM

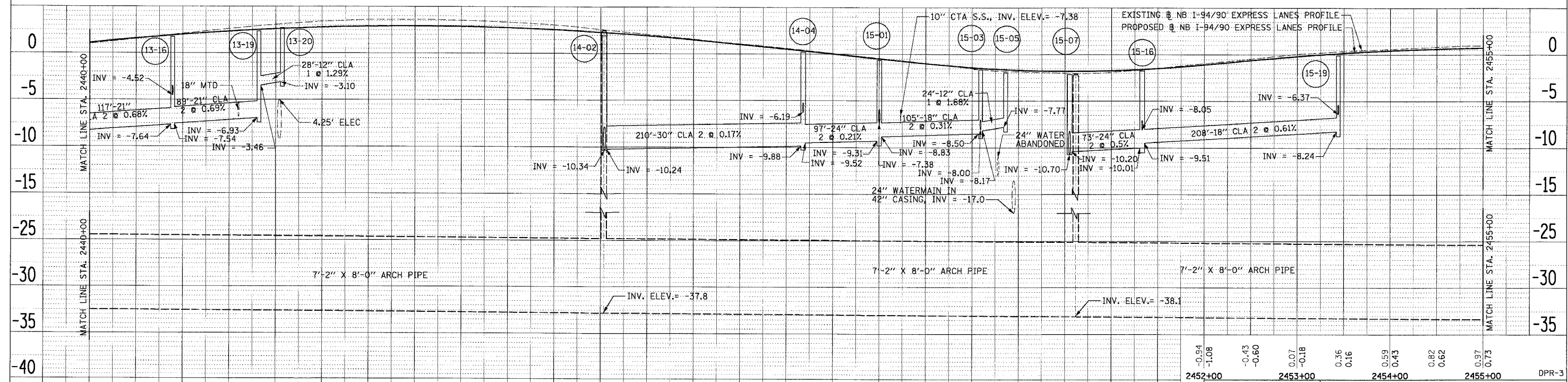
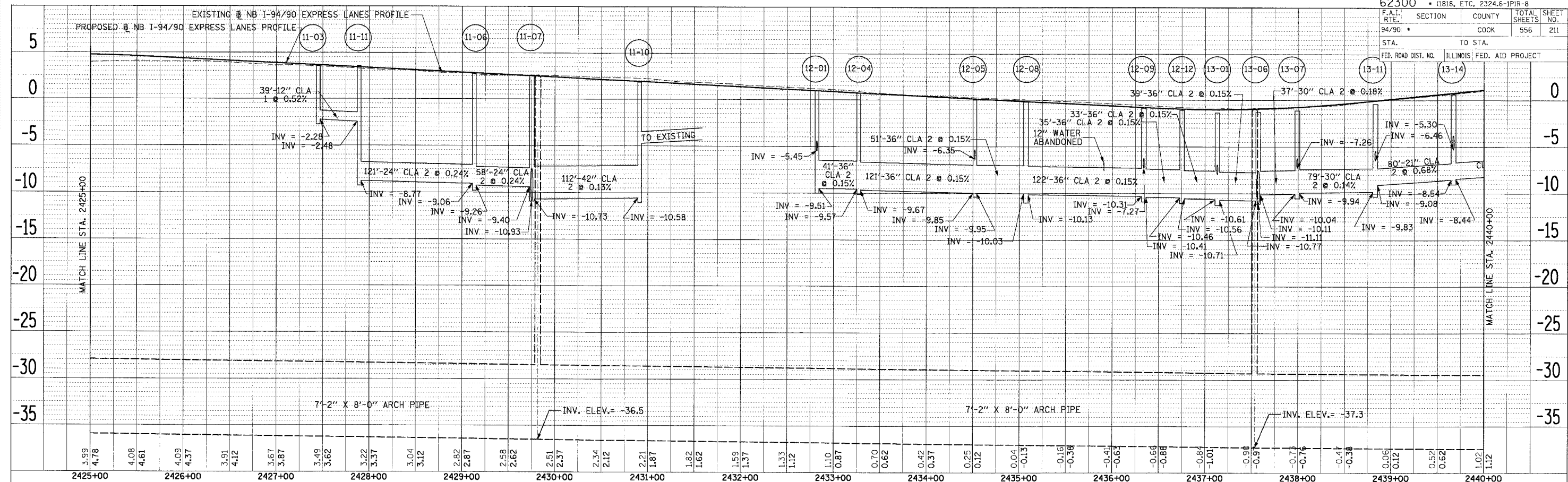
ILLINOIS DEPARTMENT OF TRANSPORTATION
 F.A.I. 94/90 (DAN RYAN EXPRESSWAY)
 31ST STREET TO 71ST STREET
 NB EXPRESS LANE RECONSTRUCTION
 DRAINAGE PROFILES
 NORTHBOUND STA. 2395+00 TO STA. 2425+00

SCALE: 1" = 5' 0"
 1" = 50' 0"
 DATE: 7/7/05

DRAWN BY: LPN
 CHECKED BY: PJM

14915VACADV\Final\62300.rvt
 06/24/2005 04:06:21 PM

F.A.I. SECTION	COUNTY	TOTAL SHEETS	SHEET NO.
94/90	COOK	556	211
STA. TO STA.		ILLINOIS FED. AID PROJECT	
FED. ROAD DIST. NO.			



PLAN	SURVEYED	DATE
NO. 1-1000	BY	
NO. 1-1000	BY	
NO. 1-1000	BY	

PLAN	SURVEYED	DATE
NO. 1-1000	BY	
NO. 1-1000	BY	
NO. 1-1000	BY	

Edwards and Kelcey
 ONE NORTH FRANKLIN
 CHICAGO, IL 60606
 PHONE: (312) 251-3000
 FAX: (312) 251-3015
 WEB: WWW.EKCORP.COM

2.64	2.36	3.09	2.62	3.42	2.80	3.63	2.91	3.64	2.94	3.54	2.89	3.35	2.77	3.08	2.57	2.61	2.29	2.08	1.94	1.57	1.51	1.08	1.02	0.59	0.52	0.07	0.02	-0.42	-0.48	-0.95	-0.98	-1.50	-1.42	-1.84	-1.68	-2.00	-1.78	-1.89	-1.72	-1.47	-1.48				
2442+00	2443+00	2444+00	2445+00	2446+00	2447+00	2448+00	2449+00	2450+00	2451+00	2452+00	2453+00	2454+00	2455+00																																

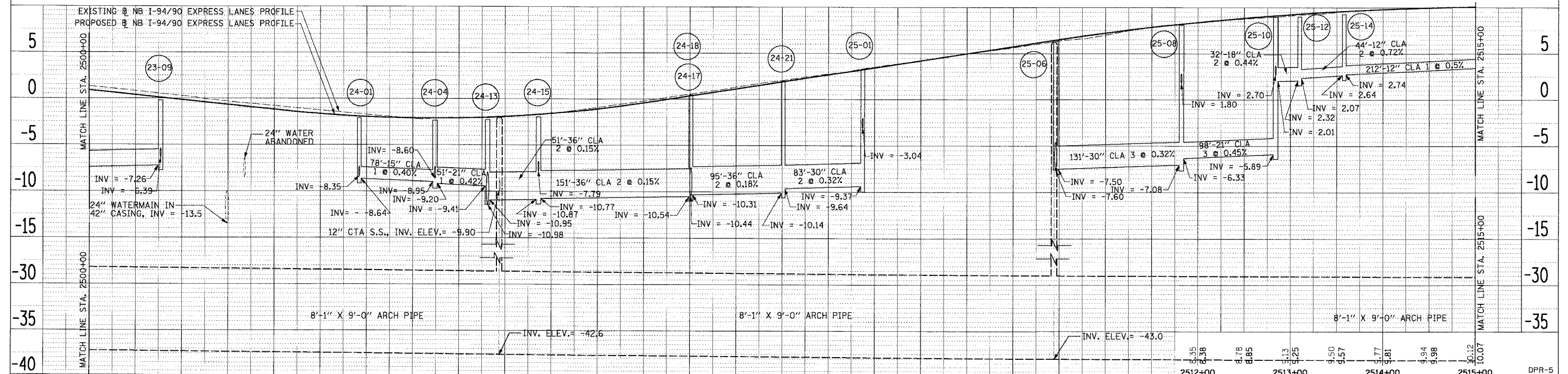
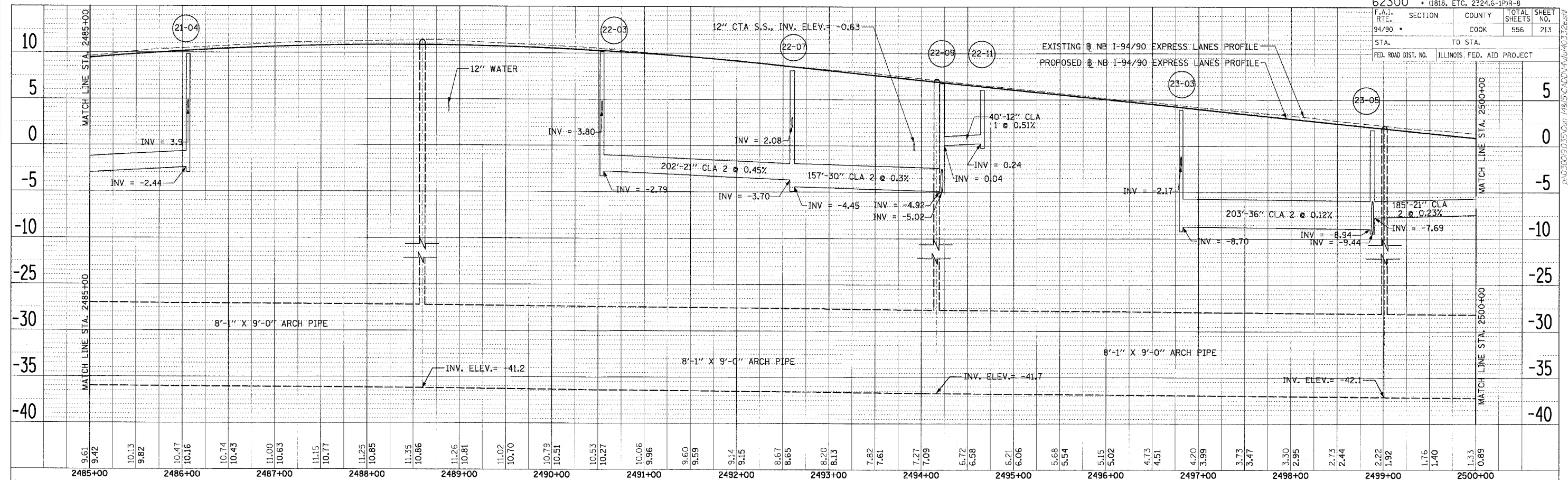
-0.94	-1.08	-0.43	-0.60	0.07	-0.18	0.36	0.16	0.59	0.43	0.82	0.62	0.97	0.73	DPR-3
2452+00	2453+00	2454+00	2455+00											
REVISIONS														
NAME	DATE													

ILLINOIS DEPARTMENT OF TRANSPORTATION
 F.A.I. 94/90 (DAN RYAN EXPRESSWAY)
 31ST STREET TO 71ST STREET
 NB EXPRESS LANE RECONSTRUCTION
 DRAINAGE PROFILES
 NORTHBOUND STA. 2425+00 TO STA. 2455+00

SCALE: H 1"=50' 0"
 V 1"=50' 0"
 DATE: 7/7/05

DRAWN BY: LPN
 CHECKED BY: PJM

P:\03009\0305\Con. I-94\CAD\DWG\140312.dwg 06/24/2005 04:08:55 PM



PLAN SUPERVISOR: [] DATE: []
 PLOTTED: []
 NO. OF WAY CHECKED: []
 FILE NAME: []

PLAN SUPERVISOR: [] DATE: []
 PLOTTED: []
 NO. OF WAY CHECKED: []
 FILE NAME: []

Edwards AND Kelcey
 ONE NORTH FRANKLIN
 CHICAGO, IL 60606
 PHONE: (312) 251-3000
 FAX: (312) 251-3015
 WEB: WWW.EKCORP.COM

2500+00	1.33	0.89	0.81	0.37	0.28	-0.15
2501+00						
2502+00	-0.31	-0.67	-0.79	-1.18	-1.26	-1.65
2503+00	-1.72	-1.96	-2.16	-2.10	-2.09	-2.09
2504+00	-1.99	-1.91	-1.60	-1.58	-0.91	-1.08
2505+00	-0.22	-0.42	0.54	0.35	1.31	1.12
2506+00	2.03	1.89	2.74	2.67	3.52	3.44
2507+00	4.23	4.21	4.95	4.98	5.66	5.76
2508+00	6.37	6.52	7.00	7.21	7.81	7.84
2509+00						
2510+00						
2511+00						

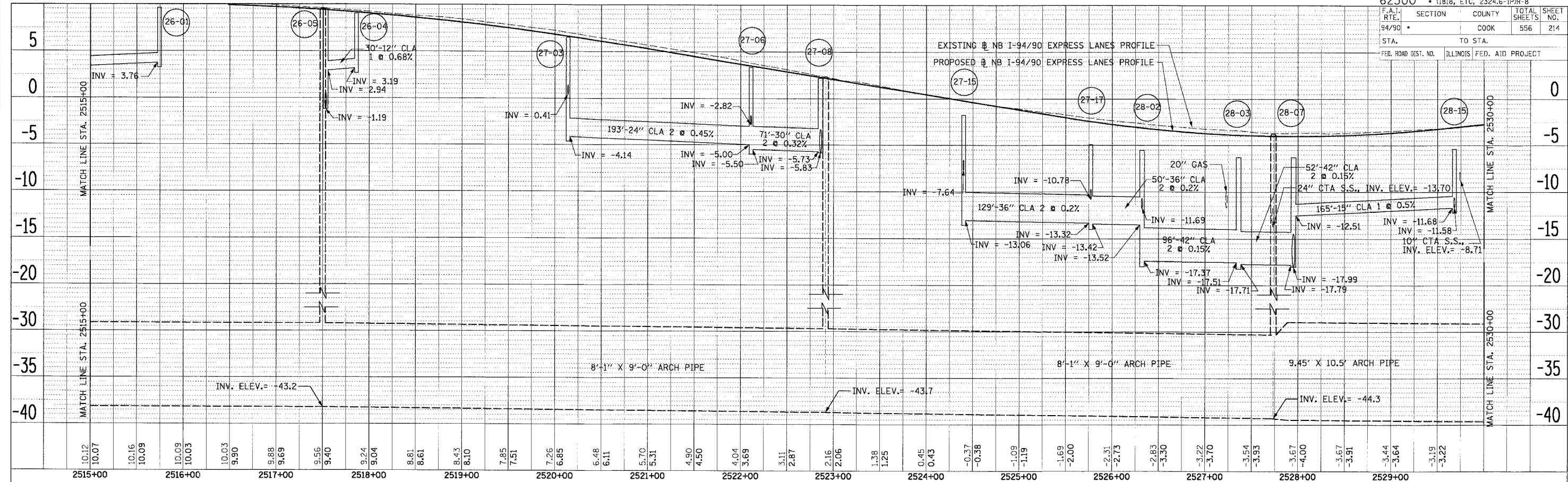
REVISIONS	
NAME	DATE

ILLINOIS DEPARTMENT OF TRANSPORTATION
 F.A.I. 94/90 (DAN RYAN EXPRESSWAY)
 31ST STREET TO 71ST STREET
 NB EXPRESS LANE RECONSTRUCTION
 DRAINAGE PROFILES
 NORTHBOUND STA. 2485+00 TO STA. 2515+00

SCALE: H 1"=50' V 1"=5' DATE: 7/1/05 DRAWN BY: LPN CHECKED BY: PJM

P:\030019035\Corr\F8\ENCAD\NAD\4032a.dwg 06/24/2005 07:40:41 PM

F.A.I. SECTION	COUNTY	TOTAL SHEETS	SHEET NO.
94/90	COOK	556	214
STA. TO STA.		ILLINOIS FED. AID PROJECT	



PLAN	SUBMITTED	DATE
NOTE BOOK	PLOTTED	
NO.	BY	

PLAN	SUBMITTED	DATE
NOTE BOOK	PLOTTED	
NO.	BY	

2515+00	2516+00	2517+00	2518+00	2519+00	2520+00	2521+00	2522+00	2523+00	2524+00	2525+00	2526+00	2527+00	2528+00	2529+00																																											
10.12	10.07	10.16	10.09	10.03	9.90	9.88	9.89	9.56	9.40	9.24	9.04	8.81	8.61	8.43	8.10	7.85	7.51	7.26	6.85	6.48	6.11	5.70	5.31	4.90	4.50	4.04	3.69	3.11	2.87	2.16	2.06	1.38	1.25	0.45	0.43	-0.37	-0.38	-1.09	-1.19	-1.69	-2.00	-2.31	-2.73	-2.83	-3.30	-3.22	-3.70	-3.54	-3.93	-3.67	-4.00	-3.67	-3.91	-3.44	-3.64	-3.19	-3.22

Edwards AND Kelcey
 ONE NORTH FRANKLIN
 CHICAGO, IL 60606
 PHONE: (312) 251-3000
 FAX: (312) 251-3015
 WEB: WWW.EKCORP.COM

REVISIONS	
NAME	DATE

ILLINOIS DEPARTMENT OF TRANSPORTATION
 F.A.I. 94/90 (DAN RYAN EXPRESSWAY)
 31ST STREET TO 71ST STREET
 NB EXPRESS LANE RECONSTRUCTION
 DRAINAGE PROFILES
 NORTHBOUND STA. 2515+00 TO STA. 2530+00

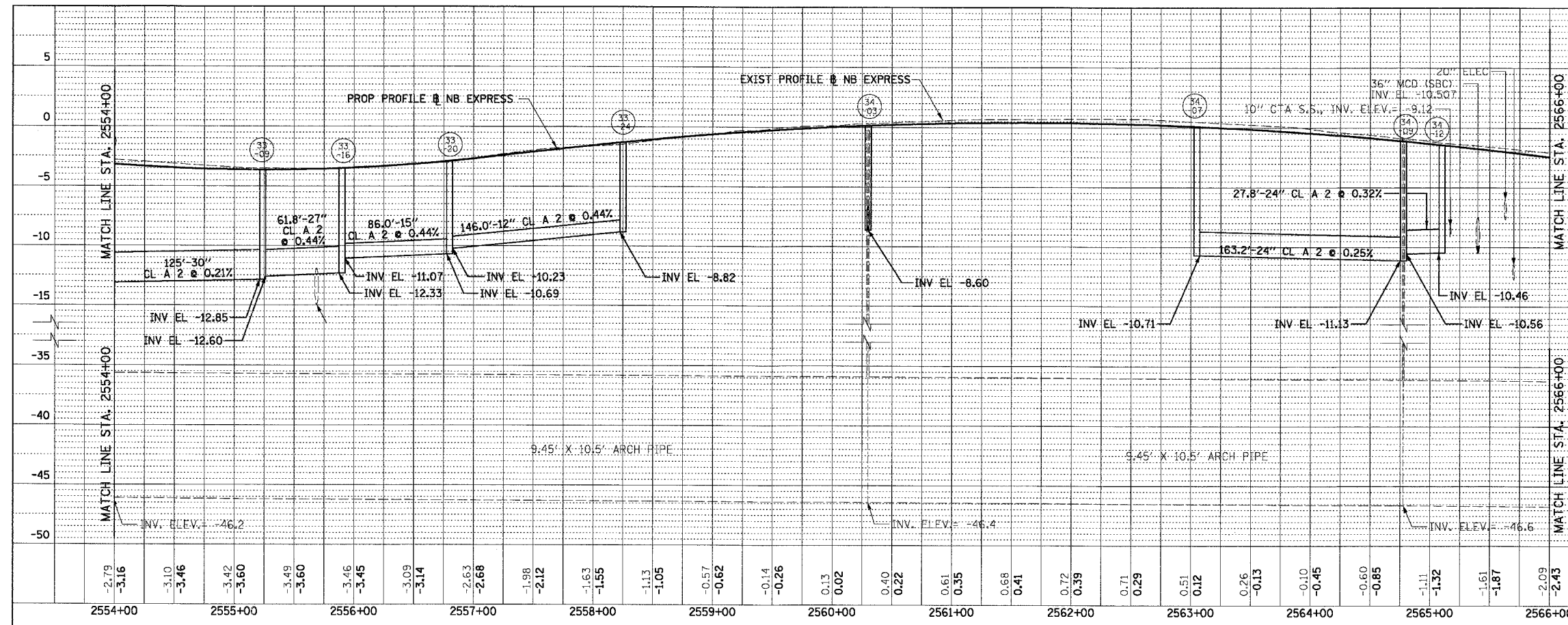
SCALE: V 1"=5' 0", H 1"=50' 0'
 DATE: 7/7/05

DRAWN BY: LPN
 CHECKED BY: PJM

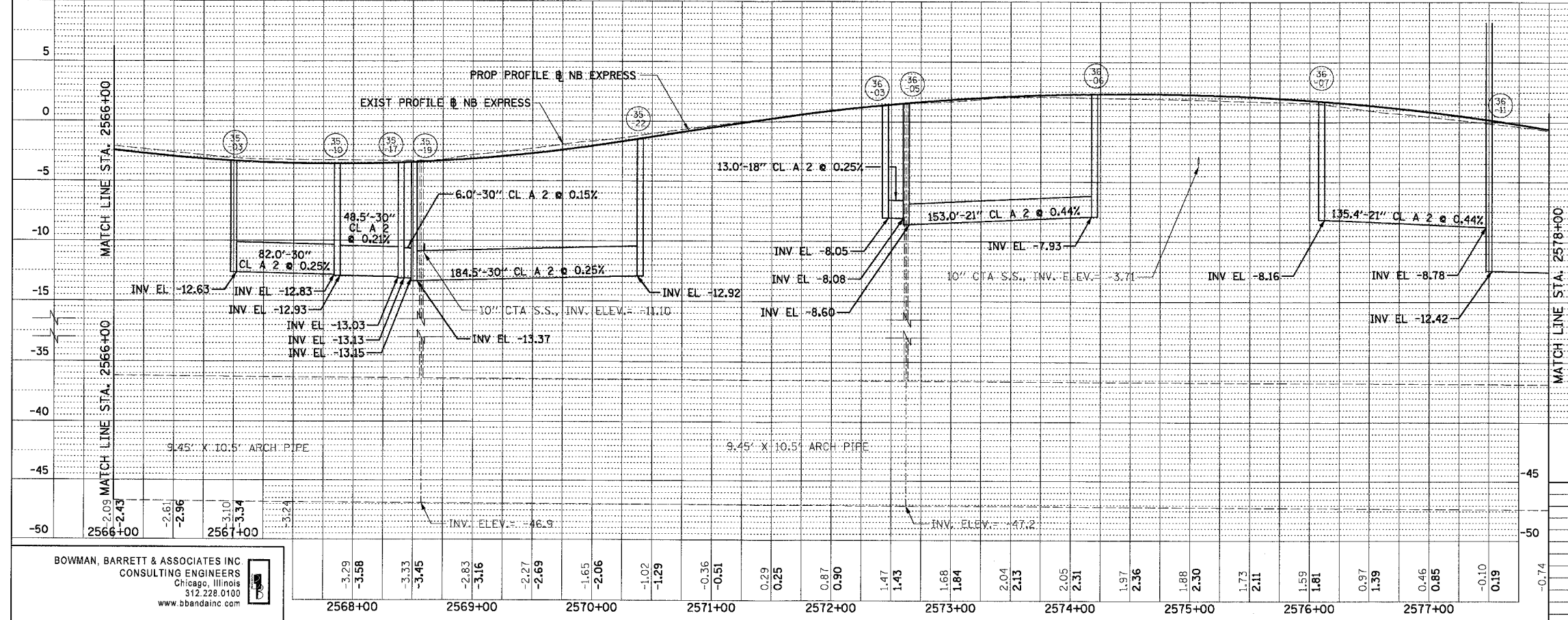
DPR-6
 06/28/2005 10:06:28 AM

F.A.I.	SECTION	COUNTY	TOTAL SHEETS	SHEET NO.
94/90	*	COOK	556	216
STA.		TO STA.		
FEB. ROAD DIST. NO.		ILLINOIS	FED. AID	PROJECT

PLAN	REVISIONS	DATE
NO.	BY	
	CHECKED	
	DATE	



PLAN	REVISIONS	DATE
NO.	BY	
	CHECKED	
	DATE	



BOWMAN, BARRETT & ASSOCIATES INC
CONSULTING ENGINEERS
Chicago, Illinois
312.228.0100
www.bbainc.com

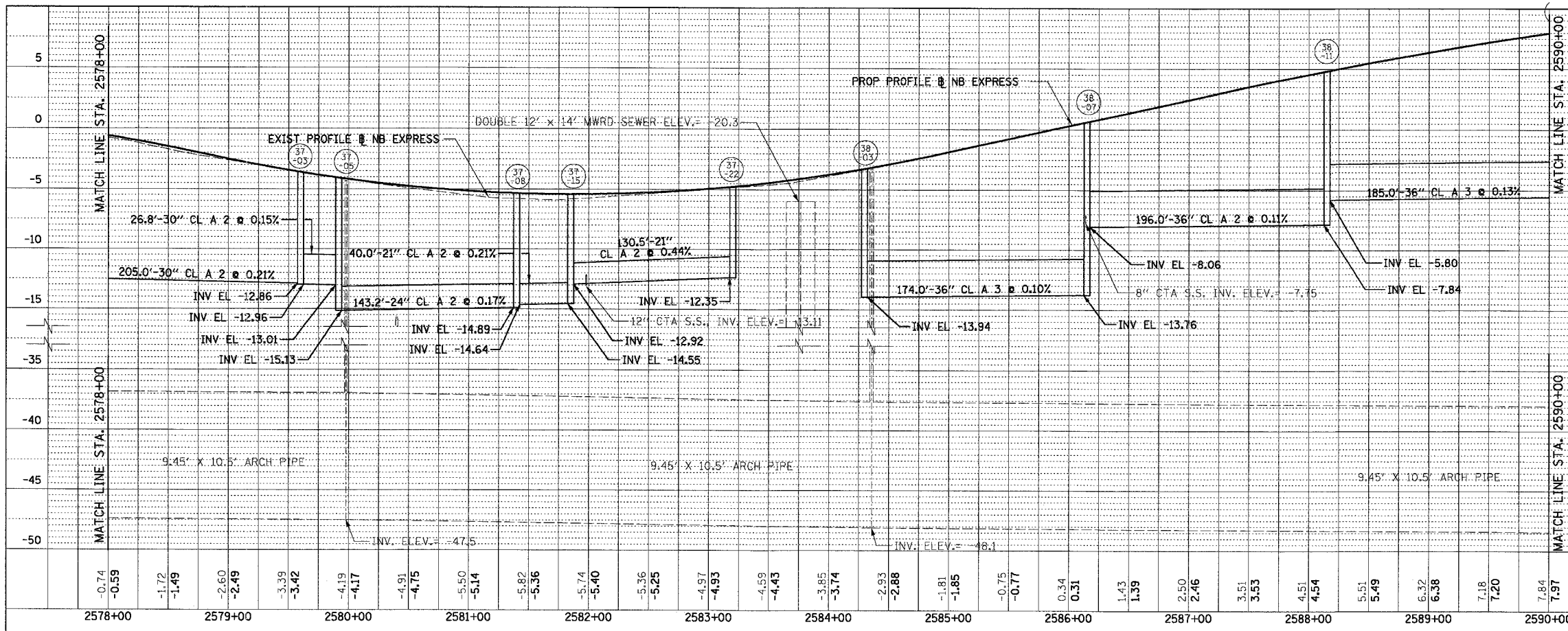
REVISIONS	NAME	DATE

DPR-8
ILLINOIS DEPARTMENT OF TRANSPORTATION
F.A.I. 94/90 (DAN RYAN EXPRESSWAY)
31ST STREET TO 71ST STREET
NB EXPRESS LANE RECONSTRUCTION
PROPOSED DRAINAGE PROFILE
NORTHBOUND STA. 2554+00 TO STA. 2578+00
SCALE: 1"=25' VERT
1"=50' HORIZ
DATE: 07/07/05
DRAWN BY: JAM
CHECKED BY: DDM

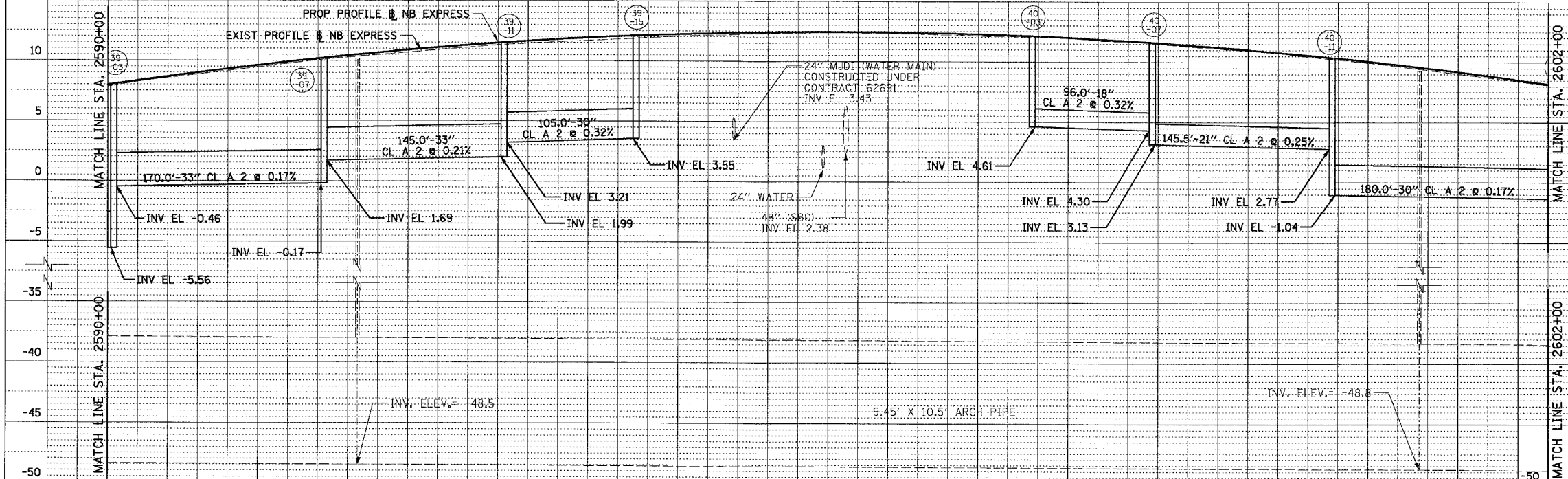
06/28/2005 02:06:35 PM

F.A.I.	SECTION	COUNTY	TOTAL SHEETS	SHEET NO.
94/90	*	COOK	556	217
STA.		TO STA.		
FED. ROAD DIST. NO.		ILLINOIS	FED. AID PROJECT	

PLAN	REVISIONS	DATE
NOTE BOOK	ALIGNED CHECKED	
NO.	FILE NAME	



PLAN	REVISIONS	DATE
NOTE BOOK	ALIGNED CHECKED	
NO.	FILE NAME	



BOWMAN, BARRETT & ASSOCIATES INC
CONSULTING ENGINEERS
Chicago, Illinois
312.228.0100
www.bbainc.com

REVISIONS	NAME	DATE

ILLINOIS DEPARTMENT OF TRANSPORTATION
F.A.I. 94/90 (DAN RYAN EXPRESSWAY)
31ST STREET TO 71ST STREET
NB EXPRESS LANE RECONSTRUCTION
PROPOSED DRAINAGE PROFILE
NORTHBOUND STA. 2578+00 TO STA. 2602+00

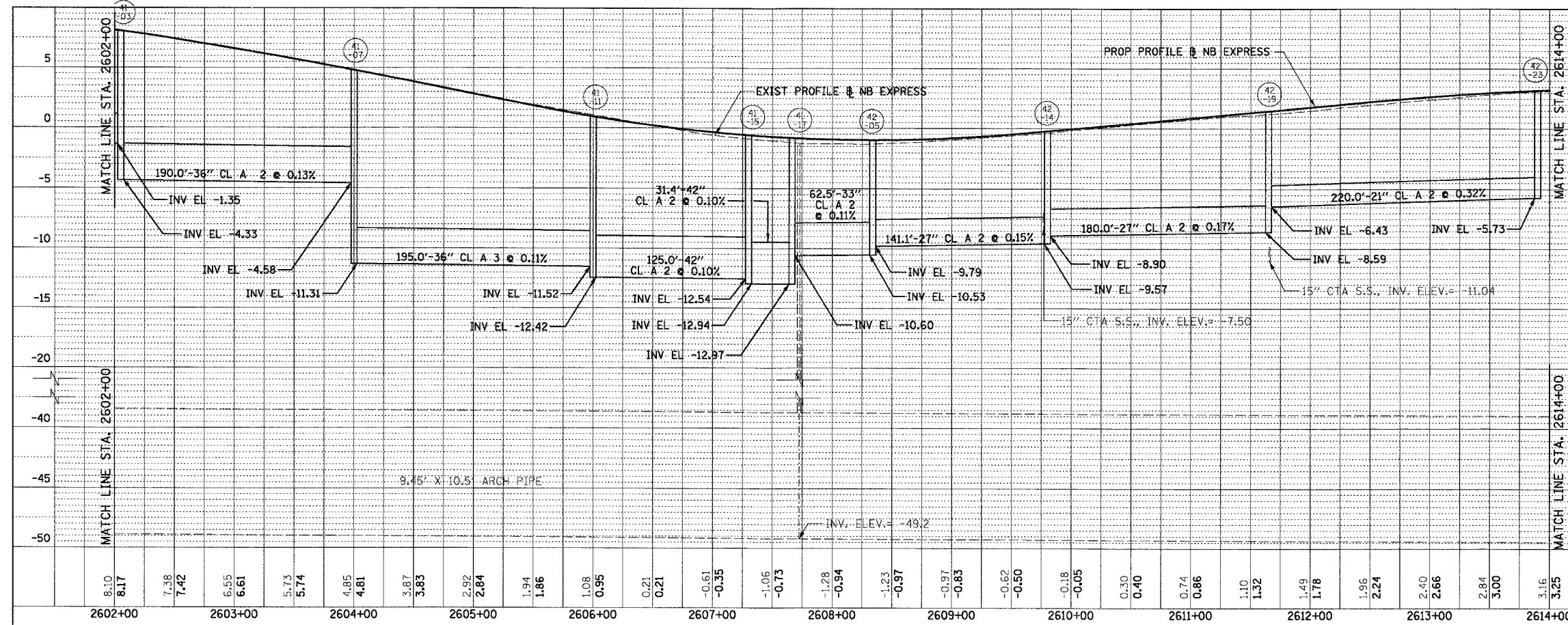
SCALE: 1"=25' VERT
1"=50' HORIZ
DATE: 07/07/05

DRAWN BY: JAM
CHECKED BY: DDM

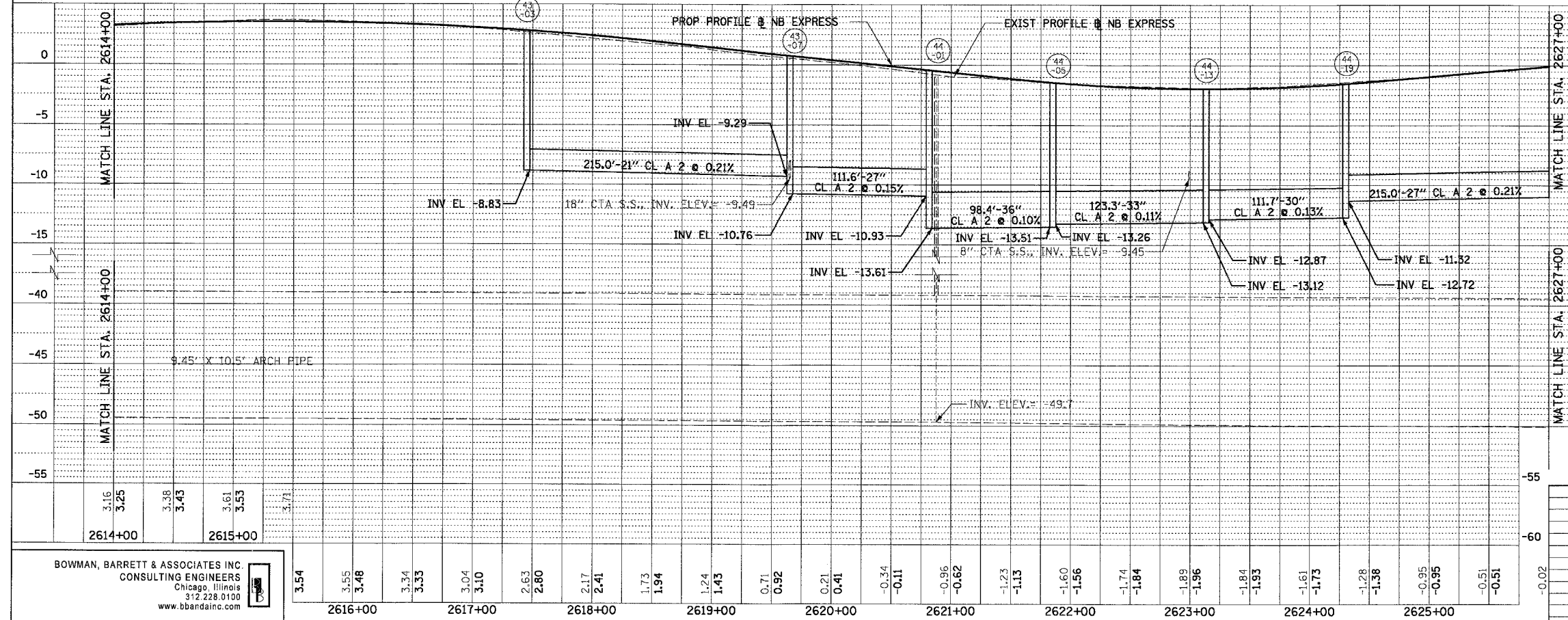
06/28/2005 02:02:54 PM

F.A.I.	SECTION	COUNTY	TOTAL SHEETS	SHEET NO.
94/90	*	COOK	556	218
STA.		TO STA.		
FED. ROAD DIST. NO.		ILLINOIS	FED. AID PROJECT	

PLAN	DATE
REVISIONS	BY
NOTED	
ALIGNED	
CHECKED	
DATE	
FILE NAME	
NO.	



PLAN	DATE
REVISIONS	BY
NOTED	
ALIGNED	
CHECKED	
DATE	
FILE NAME	
NO.	



BOWMAN, BARRETT & ASSOCIATES INC
 CONSULTING ENGINEERS
 Chicago, Illinois
 312.228.0100
 www.bbainc.com

REVISIONS	
NAME	DATE

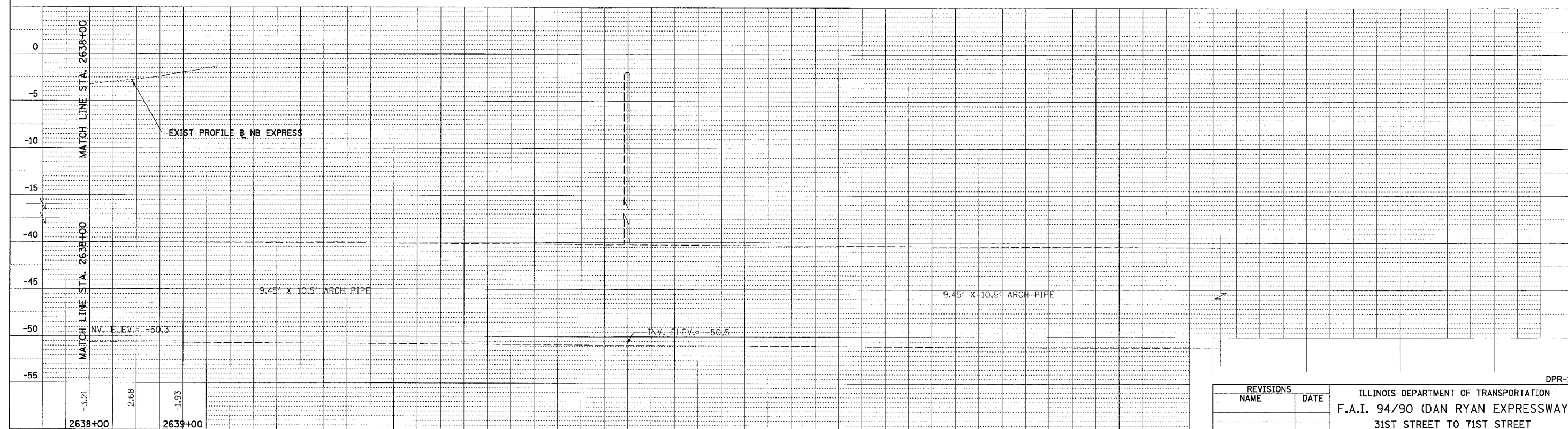
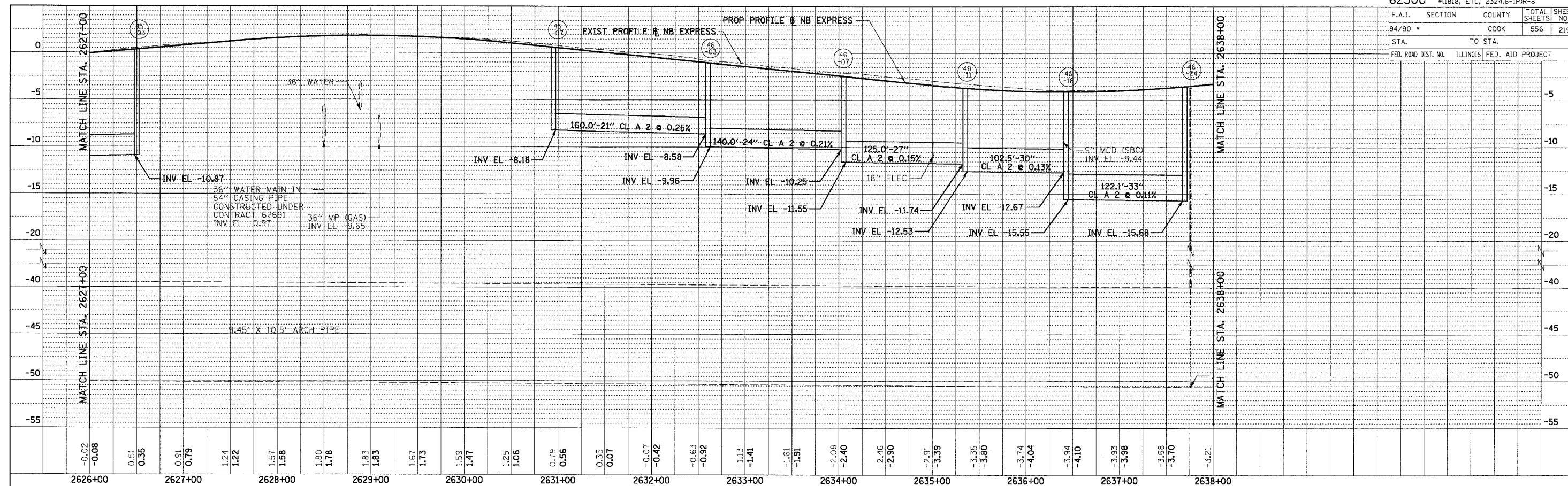
ILLINOIS DEPARTMENT OF TRANSPORTATION
 F.A.I. 94/90 (DAN RYAN EXPRESSWAY)
 31ST STREET TO 71ST STREET
 NB EXPRESS LANE RECONSTRUCTION
 PROPOSED DRAINAGE PROFILE
 NORTHBOUND STA. 2602+00 TO STA. 2626+00
 SCALE: 1"=25' VERT
 1"=50' HORIZ
 DATE: 07/07/05
 DRAWN BY: JAM
 CHECKED BY: DDM

DPR-10
 06/28/2005 02:02:59 PM

F.A.I.	SECTION	COUNTY	TOTAL SHEETS	SHEET NO.
94/90 *		COOK	556	219
STA.		TO STA.		
FED. ROAD DIST. NO.	ILLINOIS	FED. AID PROJECT		

PLAN	REVISIONS	BY	DATE
NO.	NO.		

PLAN	REVISIONS	BY	DATE
NO.	NO.		



BOWMAN, BARRETT & ASSOCIATES INC.
CONSULTING ENGINEERS
Chicago, Illinois
312.228.0100
www.bbainc.com

REVISIONS	
NAME	DATE

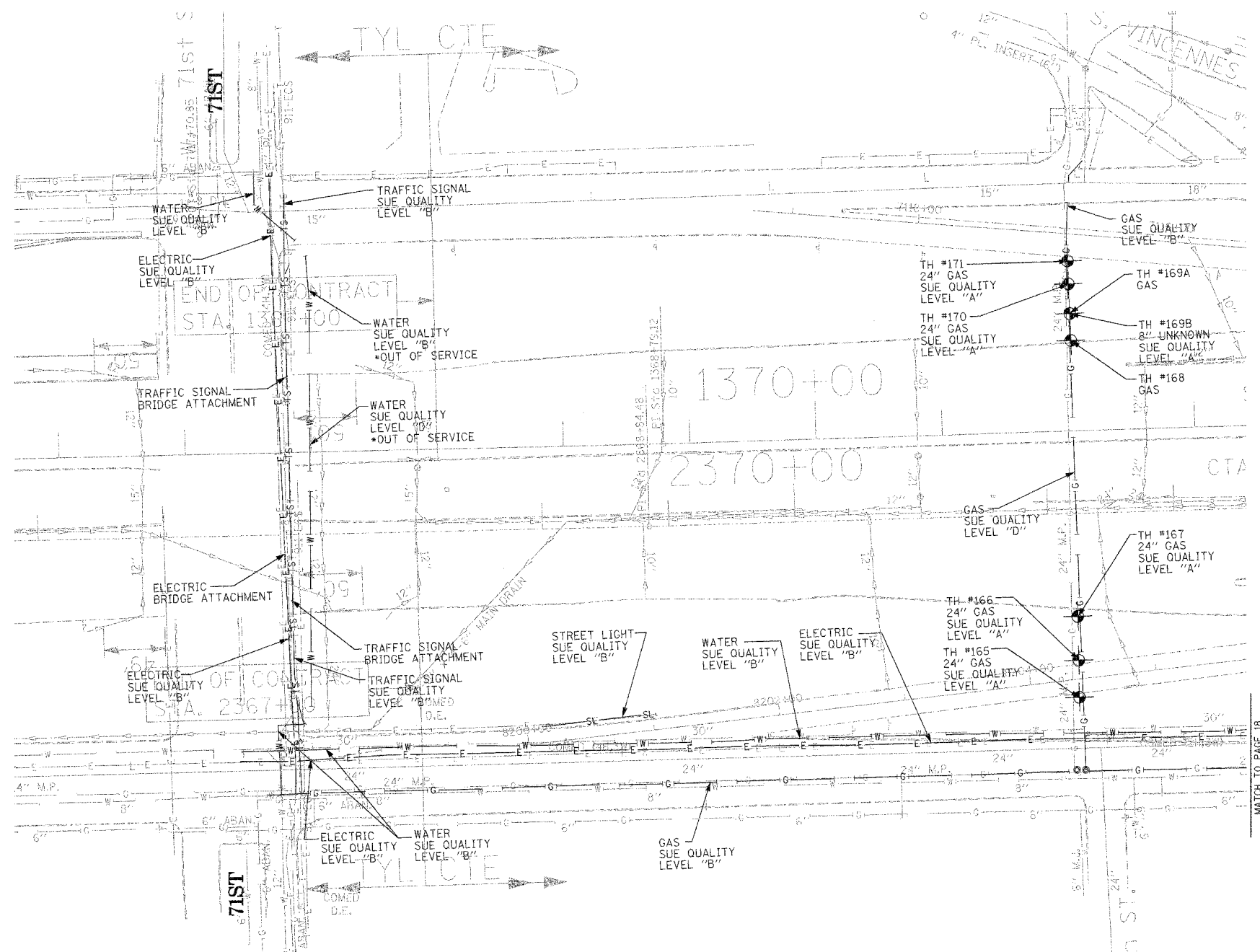
ILLINOIS DEPARTMENT OF TRANSPORTATION
F.A.I. 94/90 (DAN RYAN EXPRESSWAY)
31ST STREET TO 71ST STREET
NB EXPRESS LANE RECONSTRUCTION
PROPOSED DRAINAGE PROFILE
NORTHBOUND STA. 2626+00 TO STA.

SCALE: 1"=25' VERT
1"=50' HORIZ
DATE: 07/07/05

DRAWN BY: JAM
CHECKED BY: GDM

06/28/2005 08:03:25 PM

F.A. RTE.	SECTION	COUNTY	TOTAL SHEETS	SHEET NO.
	1516, 1717 & 1818-6	Cook	556	220
STA.	TO STA.			
FED. ROAD DIST. NO.	ILLINOIS	FED. AID PROJECT		



TBE could not locate buried utilities directly beneath the expressway due to traffic and safety issues.

*At the time of Quality Level "B" SUE services, the water lines were active. The lines, however, are now expected to be out of service per IDOT.

TBE GROUP, INC.
 CIVIL ENGINEERING * TRANSPORTATION * ENVIRONMENTAL
 * PLANNING * UTILITY ENGINEERING/LOCATING
 SOUTHERN REGION: FL, GA, SC, NC
 NORTHERN REGION: IL, IN, MI, OH, MD, NJ, NY
 PA, VA, CANADA
 WESTERN REGION: AZ, NV, NM, TX, CA, OR, UT, WA

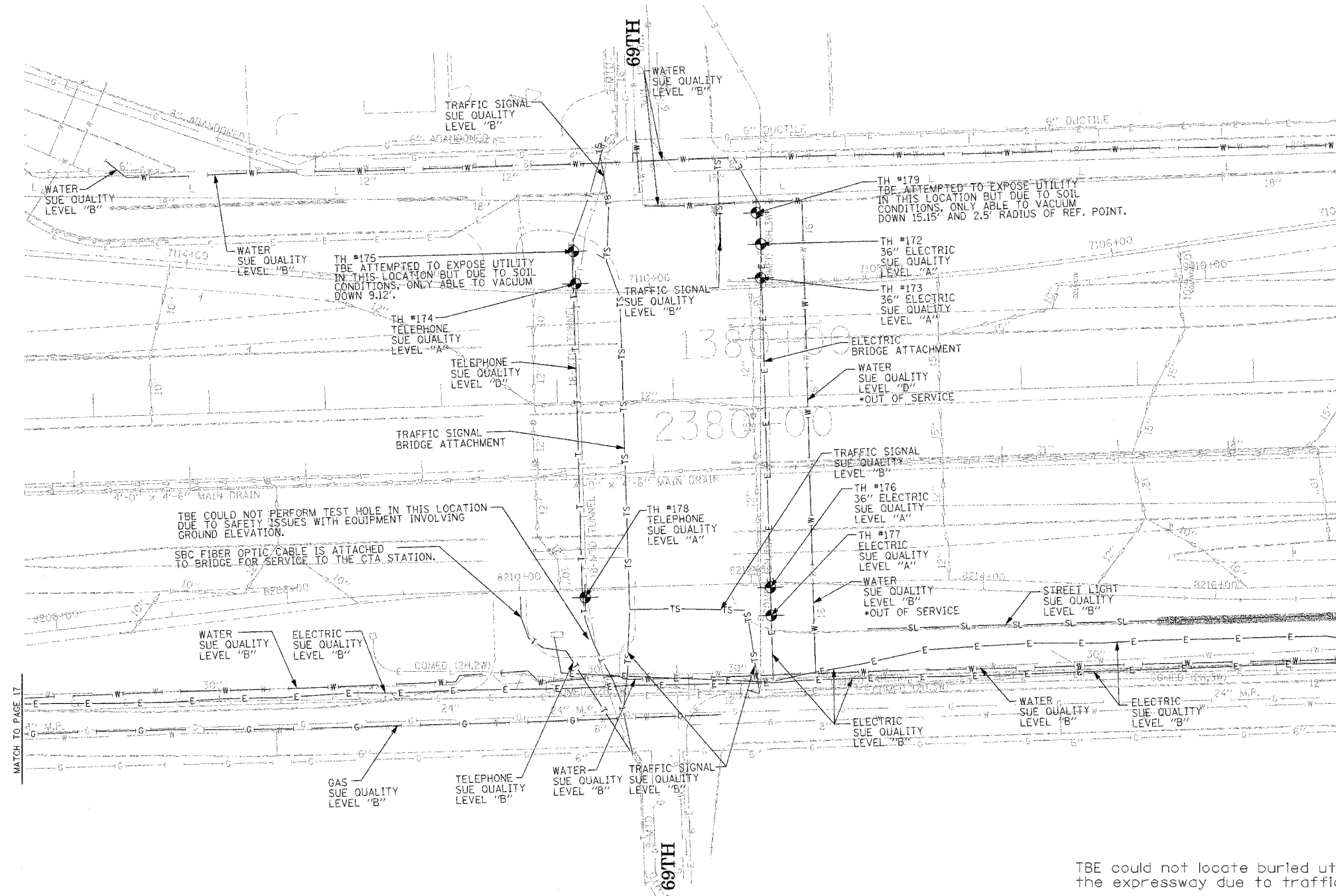
IL09500164, 167, 168, 170, 171, 179, 180, 182, 204,
 205, 206, 211, 212, 219, 221, 225, 226, 227, 228, 232
 TBE SUE PAGE NO: 17 of 36
 Checked by: *[Signature]* E-9802
 SUE Quality Level "A" : Test Holes
 SUE Quality Level "B" : Designating

—TS—	—TS—	TRAFFIC SIGNAL
—SL—	—SL—	STREET LIGHT
—COCE—		CITY OF CHICAGO ELECTRIC
—T—	—T—	TELEPHONE
—W—		WATER
—G—		GAS
—CTV—	—CTV—	CABLE TELEVISION
—FO—	—FO—	FIBER OPTIC
—E—	—E—	ELECTRIC
●		TEST HOLE

Utilities shown on these plans as depicted in the legend have been investigated by TBE Group, Inc in accordance with SUE Industry Standards. All other information shown has been provided to TBE Group, Inc by others.

 205 W. WACKER DRIVE SUITE 1020 CHICAGO, IL 60606 (312) 704-1970	REVISIONS		ILLINOIS DEPARTMENT OF TRANSPORTATION SUE Investigation of Underground Utilities I-94 NB & SB of Dan Ryan Expressway From I-57 to 43rd Street Contract No: 62586, 62589, 62590, 62594, 62693 SOL "A" DATE : 3/19/04 SOL "B" DATE : 7/22/04 DRAWN BY : KLC SCALE : 1" = 50'
	NAME	DATE	

F.A. . RTE.	SECTION	COUNTY	TOTAL SHEETS	SHEET NO.
	1516.1177 & 1818-6	Cook	556	221
STA.	TO STA.			
FED. ROAD DIST. NO.	ILLINOIS	FED. AID PROJECT		



TBE could not locate buried utilities directly beneath the expressway due to traffic and safety issues.

*At the time of Quality Level "B" SUE services, the water lines were active. The lines, however, are now expected to be out of service per IDOT.



TBE GROUP, INC.

CIVIL ENGINEERING * TRANSPORTATION * ENVIRONMENTAL
 * PLANNING * UTILITY ENGINEERING/LOCATING
 SOUTHERN REGION: FL, GA, SC, NC
 NORTHERN REGION: IL, IN, MI, OH, MD, NJ, NY
 PA, VA, CANADA
 WESTERN REGION: AZ, NV, NM, TX, CA, OR, UT, WA

IL09500164, 167, 168, 170, 171, 179, 180, 182, 204,
 205, 206, 211, 212, 219, 221, 225, 226, 227, 228, 230, 232
 TBE SUE PAGE NO: 18 of 36

Checked by: *Jeff Adams* 6/20/02

SUE Quality Level "A" : Test Holes
 SUE Quality Level "B" : Designating

—TS—	—TS—	TRAFFIC SIGNAL
—SL—	—SL—	STREET LIGHT
—COCE—		CITY OF CHICAGO ELECTRIC
—T—	—T—	TELEPHONE
—W—	—W—	WATER
—G—	—G—	GAS
—CTV—	—CTV—	CABLE TELEVISION
—FO—	—FO—	FIBER OPTIC
—E—	—E—	ELECTRIC
⊙		TEST HOLE

Utilities shown on these plans as depicted in the legend have been investigated by TBE Group, Inc in accordance with SUE Industry Standards. All other information shown has been provided to TBE Group, Inc by others.



205 W. WACKER DRIVE
 SUITE 1020
 CHICAGO, IL 60606
 (312) 704-1970

REVISIONS	
NAME	DATE

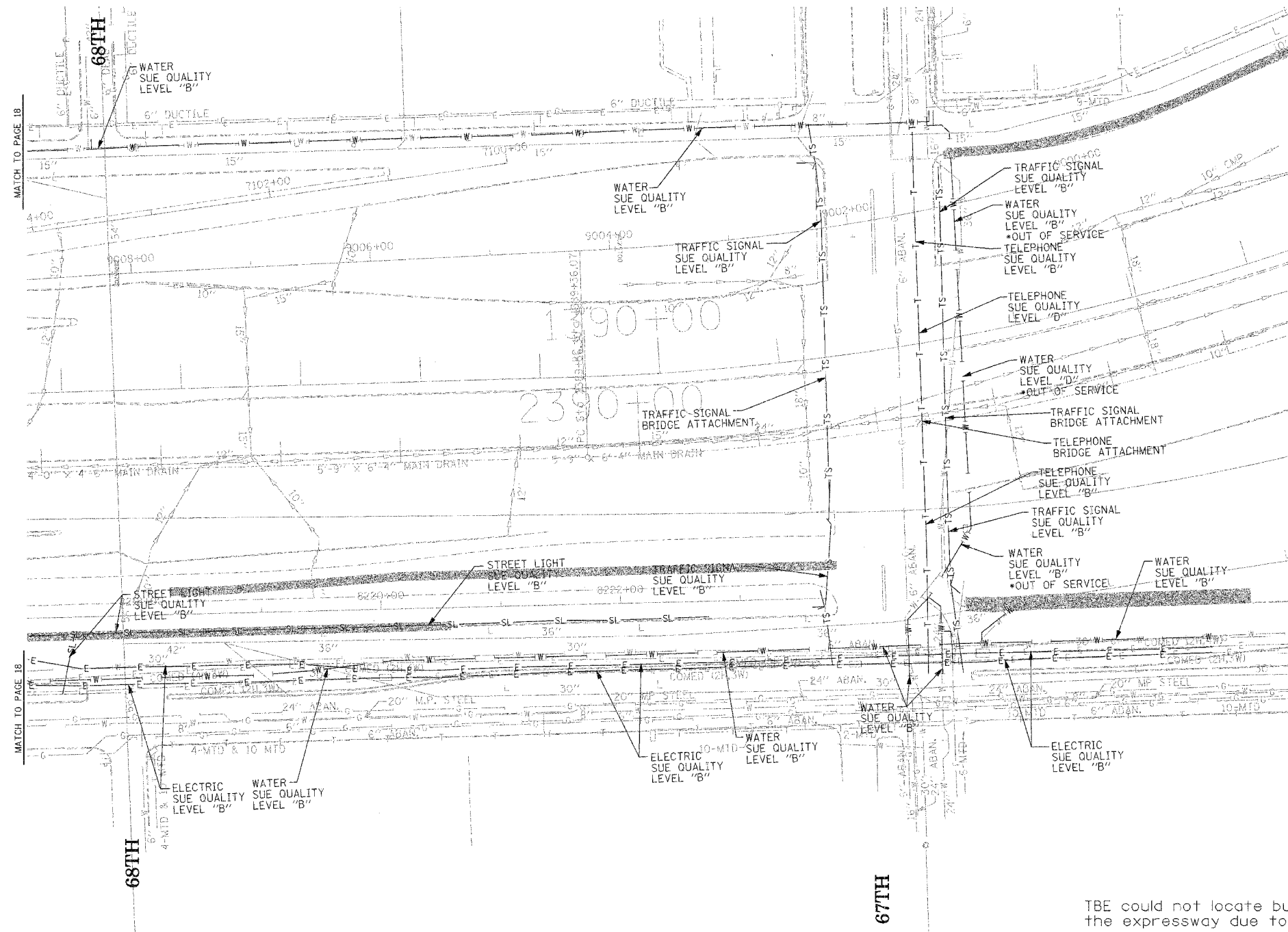
ILLINOIS DEPARTMENT OF TRANSPORTATION

SUE Investigation of Underground Utilities
 I-94 NB & SB of Dan Ryan Expressway
 From I-57 to 43rd Street
 Contract No: 62586, 62585, 62590, 62594, 62693

SOL "A" DATE : 6/09/04
 SOL "B" DATE : 7/22/04

DRAWN BY : KLC
 SCALE : 1" = 50'

F.A. RTE.	SECTION	COUNTY	TOTAL SHEETS	SHEET NO.
	11516.1717 & 1818-6	Cook	556	222
STA.	TO STA.			
FED. ROAD DIST. NO.	ILLINOIS	FED. AID PROJECT		



TBE could not locate buried utilities directly beneath the expressway due to traffic and safety issues.

*At the time of Quality Level "B" SUE services, the water lines were active. The lines, however, are now expected to be out of service per IDOT.




TBE GROUP, INC.
 CIVIL ENGINEERING * TRANSPORTATION * ENVIRONMENTAL
 * PLANNING * UTILITY ENGINEERING/LOCATING
 SOUTHERN REGION: FL, GA, SC, NC
 NORTHERN REGION: IL, IN, MI, OH, MD, NJ, NY
 PA, VA, CANADA
 WESTERN REGION: AZ, NV, NM, TX, CA, OR, UT, WA

IL09500164, 167, 168, 170, 171, 179, 180, 182, 204,
 205, 206, 211, 212, 219, 221, 225, 226, 227, 228, 230, 232
 TBE SUE PAGE NO: 19 of 36
 Checked by: *[Signature]* E-9802
 SUE Quality Level "A" : Test Holes
 SUE Quality Level "B" : Designating

—TS—	—TS—	TRAFFIC SIGNAL
—SL—	—SL—	STREET LIGHT
—COCE—	—COCE—	CITY OF CHICAGO ELECTRIC
—T—	—T—	TELEPHONE
—W—	—W—	WATER
—G—	—G—	GAS
—CTV—	—CTV—	CABLE TELEVISION
—FO—	—FO—	FIBER OPTIC
—E—	—E—	ELECTRIC
⊙		TEST HOLE

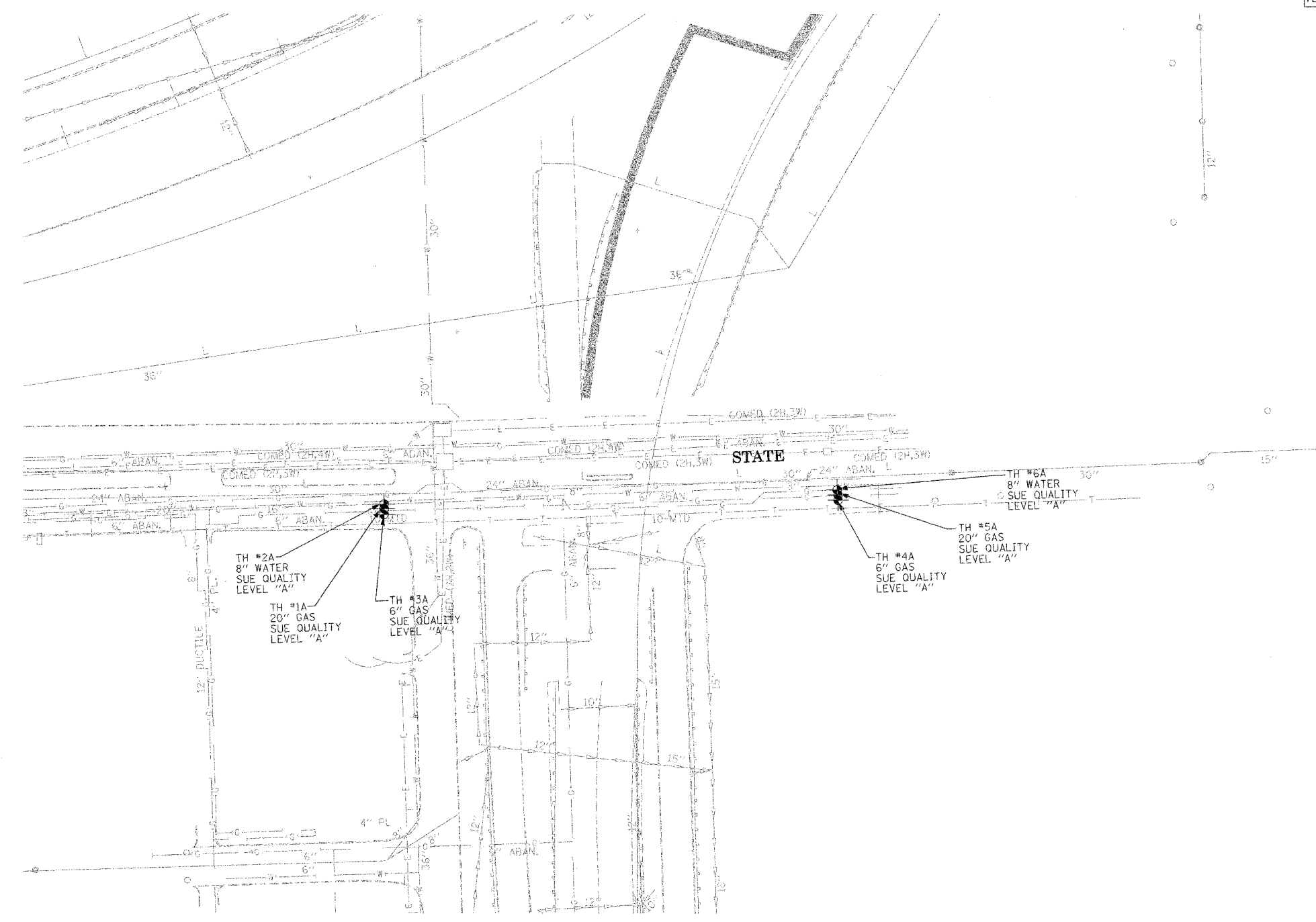
Utilities shown on these plans as depicted in the legend have been investigated by TBE Group, Inc in accordance with SUE Industry Standards. All other information shown has been provided to TBE Group, Inc by others.


 205 W. WACKER DRIVE
 SUITE 1020
 CHICAGO, IL 60606
 (312) 704-1970

REVISIONS	
NAME	DATE

ILLINOIS DEPARTMENT OF TRANSPORTATION
 SUE Investigation of Underground Utilities
 I-90/I-94 Dan Ryan Expressway from
 I-57 to 69th Street
 Contract Number: 62590, 62592, 62594
 SUE "B" DATE : 7/22/04
 DRAWN BY : KLC
 SCALE : 1" = 50'

F.A. RTE.	SECTION	COUNTY	TOTAL SHEETS	SHEET NO.
	0516J,1717 & 1818-6	COOK	556	223
STA.	TO STA.			
FED. ROAD DIST. NO.	ILLINOIS FED. AID PROJECT			



TBE GROUP, INC.
 CIVIL ENGINEERING * TRANSPORTATION * ENVIRONMENTAL
 * PLANNING * UTILITY ENGINEERING/LOCATING
 SOUTHERN REGION: FL, GA, SC, NC
 NORTHERN REGION: IL, IN, MI, OH, MD, NJ, NY
 PA, VA, CANADA
 WESTERN REGION: AZ, NV, NM, TX, CA, OR, UT, WA

IL09500164, 167, 168, 170, 171, 179, 180, 182, 204,
 205, 206, 211, 212, 219, 221, 225, 226, 227, 228, 230, 232
 TBE SUE PAGE NO: 20 of 36
 Checked by: *[Signature]* 7/22/04
 SUE Quality Level "A" : Test Holes
 SUE Quality Level "B" : Designating

—TS—	—TS—	TRAFFIC SIGNAL
—SL—	—SL—	STREET LIGHT
—COCE—		CITY OF CHICAGO ELECTRIC
—T—	—T—	TELEPHONE
—W—	—W—	WATER
—G—	—G—	GAS
—CTV—	—CTV—	CABLE TELEVISION
—FO—	—FO—	FIBER OPTIC
—E—	—E—	ELECTRIC
⊙		TEST HOLE

Utilities shown on these plans as depicted in the legend have been investigated by TBE Group, Inc in accordance with SUE Industry Standards. All other information shown has been provided to TBE Group, Inc by others.

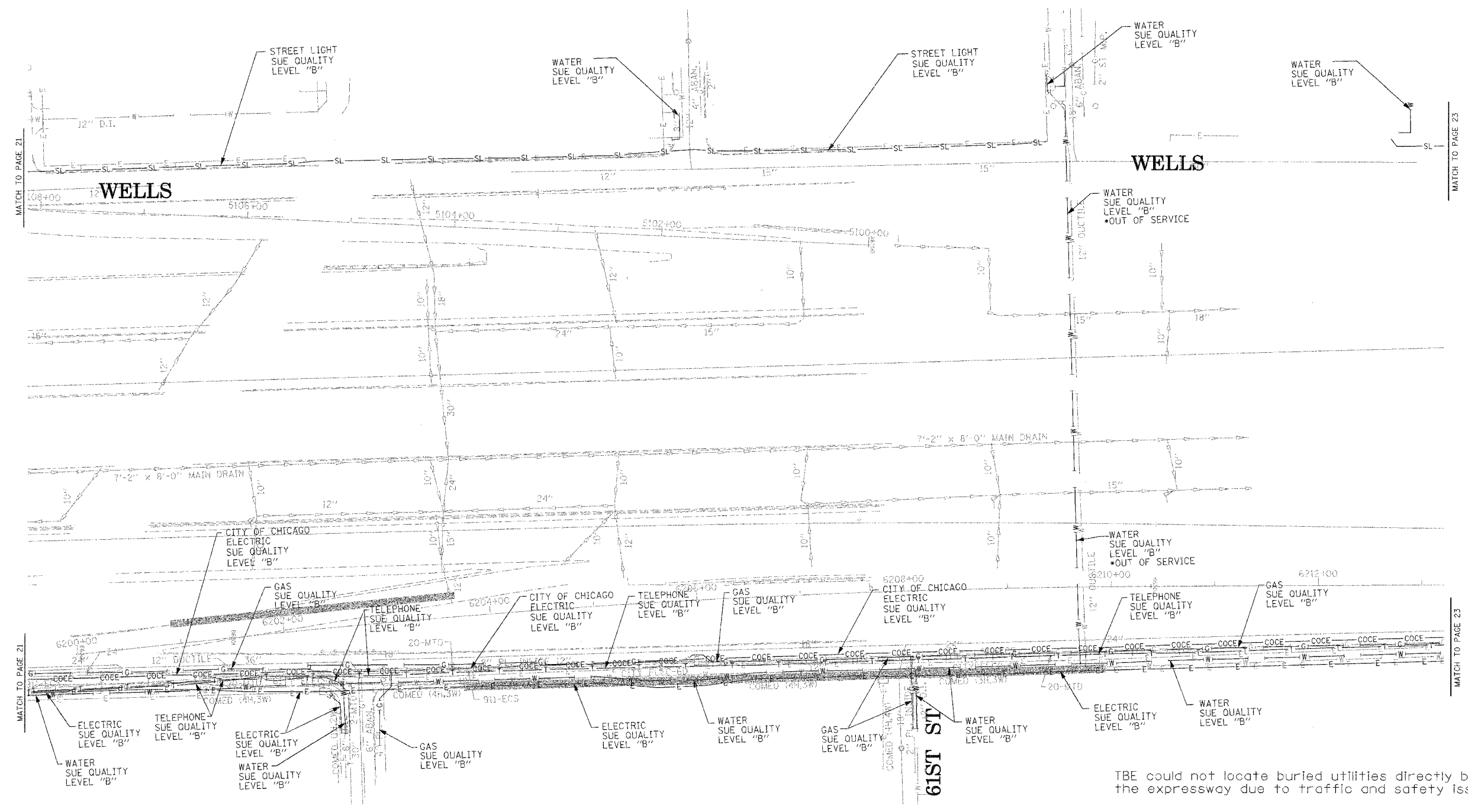
TBE could not locate buried utilities directly beneath the expressway due to traffic and safety issues.

205 W. WACKER DRIVE
 SUITE 1020
 CHICAGO, IL 60606
 (312) 704-1970

REVISIONS	
NAME	DATE

ILLINOIS DEPARTMENT OF TRANSPORTATION
 SUE Investigation of Underground Utilities
 I-90/I-94 Dan Ryan Expressway from
 I-57 to 69th Street
 Contract Number: 62590, 62592, 62594
 SOL "B" DATE: 7/22/04
 DRAWN BY: KLC
 SCALE: 1" = 50'

F.A. RTE.	SECTION	COUNTY	TOTAL SHEETS	SHEET NO.
	0516.1717 & 1818-6	Cook	556	225
STA.	TO STA.			
FED. ROAD DIST. NO.	ILLINOIS FED. AID PROJECT			



MATCH TO PAGE 21

MATCH TO PAGE 23

MATCH TO PAGE 23

TBE could not locate buried utilities directly beneath the expressway due to traffic and safety issues.

*At the time of Quality Level "B" SUE services, the water lines were active. The lines, however, are now expected to be out of service per IDOT.



TBE GROUP, INC.

CIVIL ENGINEERING * TRANSPORTATION * ENVIRONMENTAL
 * PLANNING * UTILITY ENGINEERING/LOCATING
 SOUTHERN REGION: FL, GA, SC, NC
 NORTHERN REGION: IL, IN, MI, OH, MD, NJ, NY
 PA, VA, CANADA
 WESTERN REGION: AZ, NV, NM, TX, CA, OR, UT, WA

IL09500164, 167, 168, 170, 171, 179, 180, 182, 204,
 205, 206, 211, 212, 219, 221, 225, 226, 227, 228, 230, 232
 TBE SUE PAGE NO: 22 of 36
 Checked by: *J. J. Lawrence* 7/20/02
 SUE Quality Level "A" : Test Holes
 SUE Quality Level "B" : Designating

—TS—	—TS—	TRAFFIC SIGNAL
—SL—	—SL—	STREET LIGHT
—COCE—	—COCE—	CITY OF CHICAGO ELECTRIC
—T—	—T—	TELEPHONE
—W—	—W—	WATER
—G—	—G—	GAS
—CTV—	—CTV—	CABLE TELEVISION
—FO—	—FO—	FIBER OPTIC
—E—	—E—	ELECTRIC
—●—	—●—	TEST HOLE

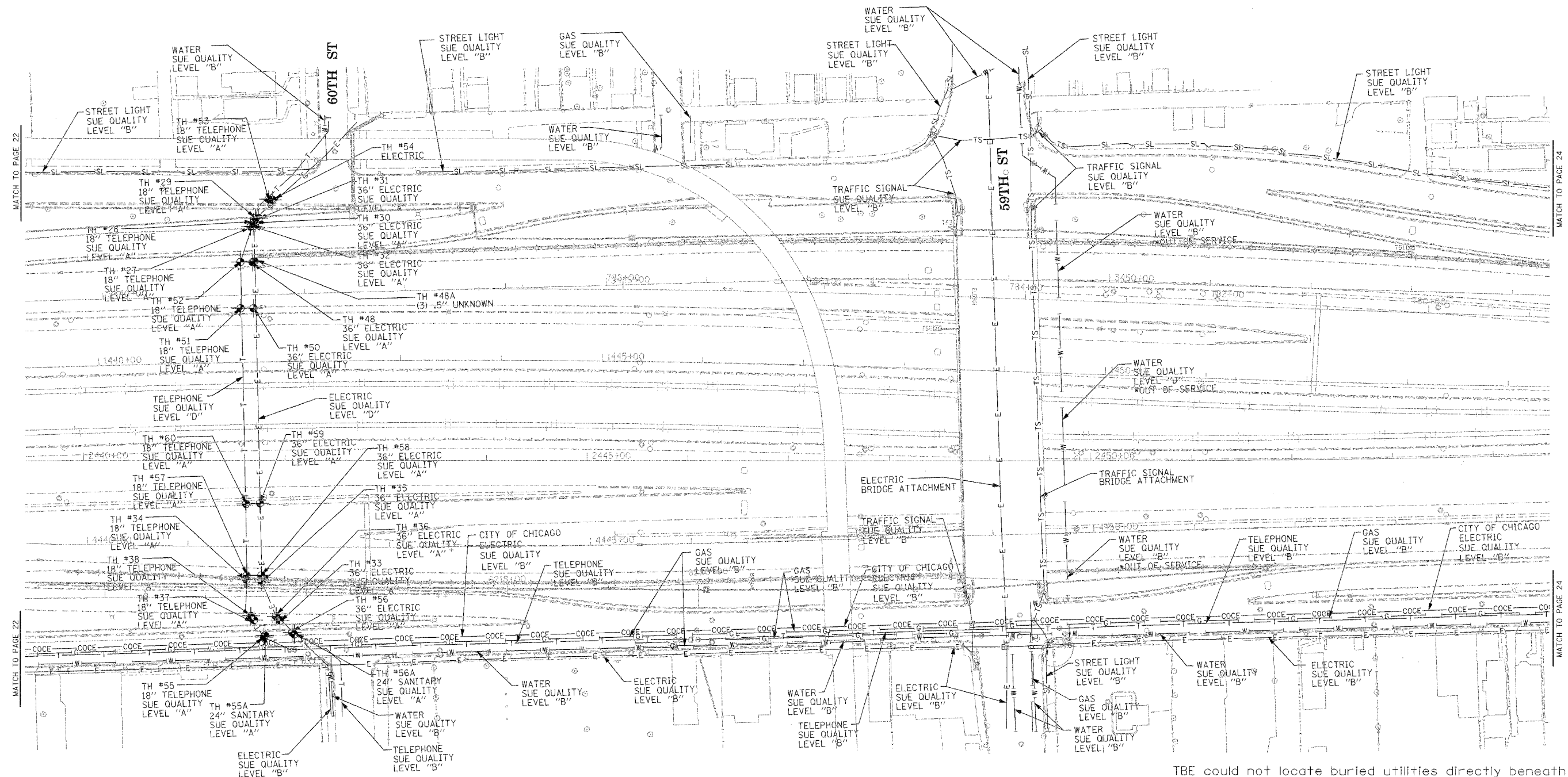
Utilities shown on these plans as depicted in the legend have been investigated by TBE Group, Inc in accordance with SUE Industry Standards. All other information shown has been provided to TBE Group, Inc by others.

205 W. WACKER DRIVE
 SUITE 1020
 CHICAGO, IL 60606
 (312) 704-1970

REVISIONS	
NAME	DATE

ILLINOIS DEPARTMENT OF TRANSPORTATION
 SUE Investigation of Underground Utilities
 I-90/I-94 Dan Ryan Expressway from
 I-57, to 69th Street
 Contract Number: 62590, 62592, 62594
 SOL "B" DATE : 7/22/04
 DRAWN BY : KLC
 SCALE : 1" = 50'

F.A. RTE.	SECTION	COUNTY	TOTAL SHEETS	SHEET NO.
	11516.1177 & 1818-6	Cook	556	226
STA.	TO STA.			
FED. ROAD DIST. NO.	ILLINOIS	FED. AID PROJECT		




TBE could not locate buried utilities directly beneath the expressway due to traffic and safety issues.

*At the time of Quality Level "B" SUE services, the water lines were active. The lines, however, are now expected to be out of service per IDOT.

TBE GROUP, INC.
 CIVIL ENGINEERING * TRANSPORTATION * ENVIRONMENTAL
 * PLANNING * UTILITY ENGINEERING/LOCATING
 SOUTHERN REGION: FL, GA, SC, NC
 NORTHERN REGION: IL, IN, MI, OH, MD, NJ, NY
 PA, VA, CANADA
 WESTERN REGION: AZ, NV, NM, TX, CA, OR, UT, WA
 IL09500164, 167, 168, 170, 171, 179, 180, 182, 204,
 205, 206, 211, 212, 219, 221, 225, 226, 227, 228, 230, 232
 TBE SUE PAGE NO: 23 of 36
 Checked by: _____
 SUE Quality Level "A" : Test Holes
 SUE Quality Level "B" : Designating

—TS—	—TS—	TRAFFIC SIGNAL
—SL—	—SL—	STREET LIGHT
—COCE—	—COCE—	CITY OF CHICAGO ELECTRIC
—T—	—T—	TELEPHONE
—W—	—W—	WATER
—G—	—G—	GAS
—CTV—	—CTV—	CABLE TELEVISION
—FO—	—FO—	FIBER OPTIC
—E—	—E—	ELECTRIC
⊙		TEST HOLE

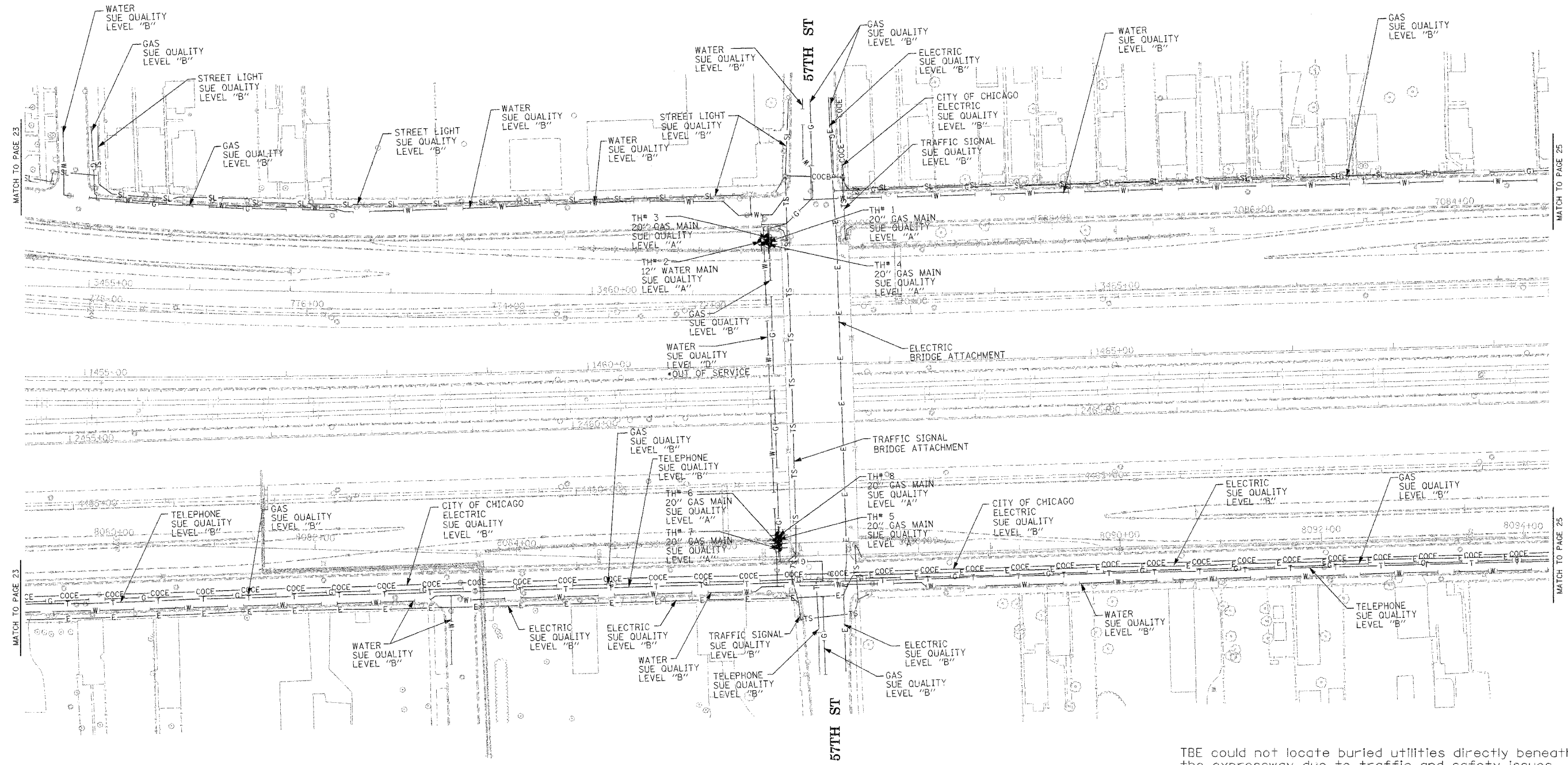
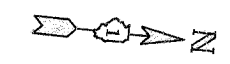
Utilities shown on these plans as depicted in the legend have been investigated by TBE Group, Inc in accordance with SUE Industry Standards. All other information shown has been provided to TBE Group, Inc by others.


 205 W. WACKER DRIVE
 SUITE 1020
 CHICAGO, IL 60606
 (312) 704-1970

REVISIONS	
NAME	DATE

ILLINOIS DEPARTMENT OF TRANSPORTATION
 SUE Investigation of Underground Utilities
 I-90/I-94 Dan Ryan Expressway from
 I-57, to 69th Street
 Contract Number: 62590, 62592, 62594
 SOL "A" DATE : 7/22/04
 SOL "B" DATE : 7/22/04
 DRAWN BY : KLC
 SCALE : 1" = 50'

F.A. RTE.	SECTION	COUNTY	TOTAL SHEETS	SHEET NO.
	15161,1717 & 1818-6	Cook	556	227
STA.	TO STA.			
FED. ROAD DIST. NO.	ILLINOIS FED. AID PROJECT			



TBE could not locate buried utilities directly beneath the expressway due to traffic and safety issues.

*At the time of Quality Level "B" SUE services, the water lines were active. The lines, however, are now expected to be out of service per IDOT.



TBE GROUP, INC.

CIVIL ENGINEERING * TRANSPORTATION * ENVIRONMENTAL
 * PLANNING * UTILITY ENGINEERING/LOCATING
 SOUTHERN REGION: FL, GA, SC, NC
 NORTHERN REGION: IL, IN, MI, OH, MD, NJ, NY
 PA, VA, CANADA
 WESTERN REGION: AZ, NV, NM, TX, CA, OR, UT, WA

IL09500164, 167, 168, 170, 171, 179, 180, 182, 204,
 205, 206, 211, 212, 219, 221, 225, 226, 227, 228, 230, 232
 TBE SUE PAGE NO: 24 of 36
 Checked by: *J.M.A. 8-9802*
 SUE Quality Level "A" : Test Holes
 SUE Quality Level "B" : Designating

—TS—	—TS—	TRAFFIC SIGNAL
—SL—	—SL—	STREET LIGHT
—COCE—	—COCE—	CITY OF CHICAGO ELECTRIC
—T—	—T—	TELEPHONE
—W—	—W—	WATER
—G—	—G—	GAS
—CTV—	—CTV—	CABLE TELEVISION
—FO—	—FO—	FIBER OPTIC
—E—	—E—	ELECTRIC
—●—	—●—	TEST HOLE

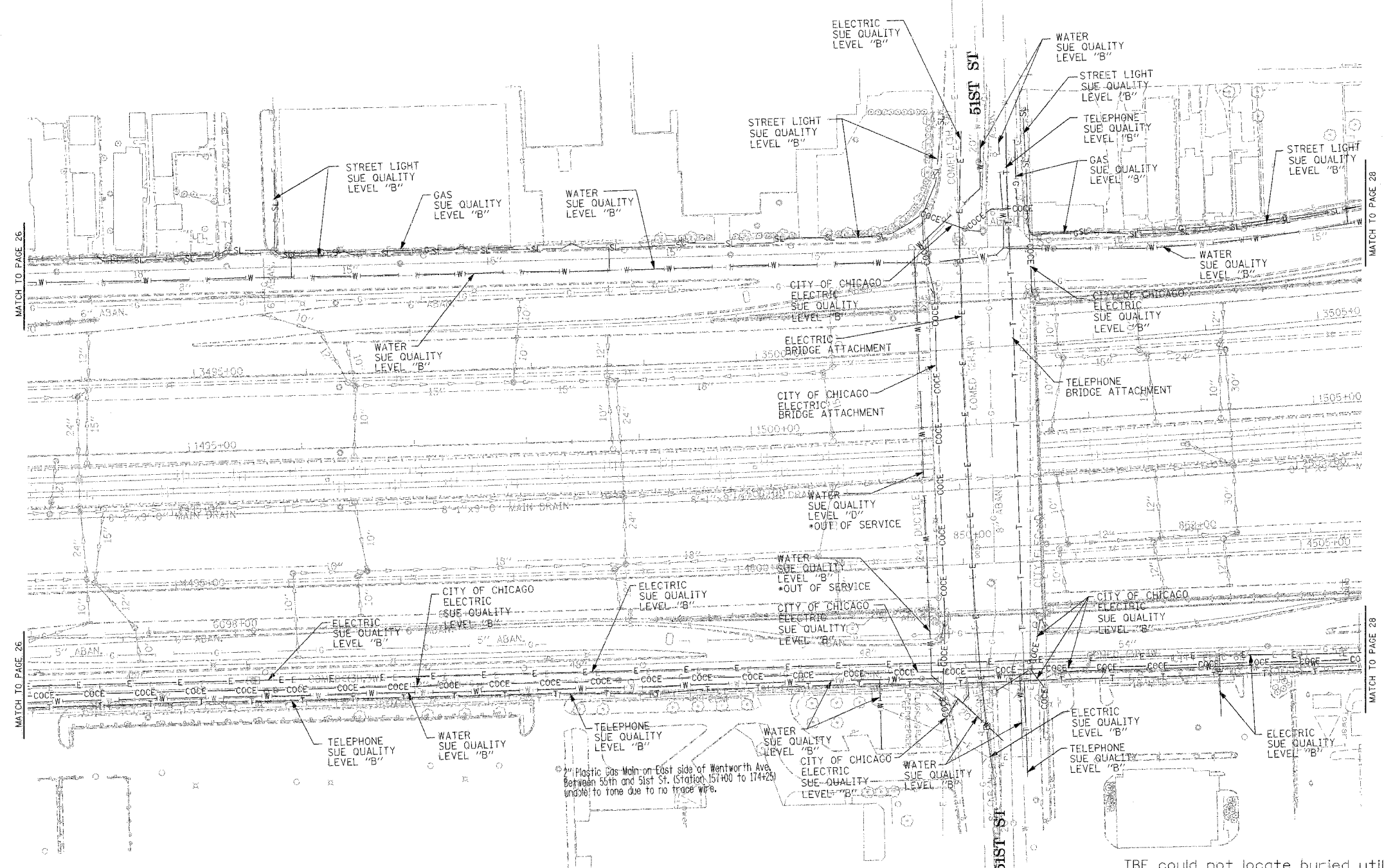
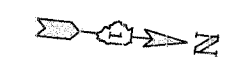
Utilities shown on these plans as depicted in the legend have been investigated by TBE Group, Inc in accordance with SUE Industry Standards. All other information shown has been provided to TBE Group, Inc by others.

205 W. WACKER DRIVE
 SUITE 1020
 CHICAGO, IL 60606
 (312) 704-1970

REVISIONS	
NAME	DATE

ILLINOIS DEPARTMENT OF TRANSPORTATION
 SUE Investigation of Underground Utilities
 I-90/I-94 Dan Ryan Expressway from
 I-57 to 69th Street
 Contract Number: 62590, 62592, 62594
 SOL "A" DATE : 7/22/04
 SOL "B" DATE : 7/22/04
 DRAWN BY : KLC
 SCALE : 1" = 50'

F.A. RTE.	SECTION	COUNTY	TOTAL SHEETS	SHEET NO.
	1516.11717 & 1818-6	Cook	556	230
STA.	TO STA.			
FED. ROAD DIST. NO.	ILLINOIS	FED. AID PROJECT		



MATCH TO PAGE 26

MATCH TO PAGE 26

MATCH TO PAGE 28

MATCH TO PAGE 28

TBE CIVIL ENGINEERING * TRANSPORTATION * ENVIRONMENTAL
 * PLANNING * UTILITY ENGINEERING/LOCATING
 SOUTHERN REGION: FL, GA, SC, NC
 NORTHERN REGION: IL, IN, MI, OH, MD, NJ, NY
 PA, VA, CANADA
 WESTERN REGION: AZ, NV, NM, TX, CA, OR, UT, WA
 IL09500164, 167, 168, 170, 171, 179, 180, 182, 204,
 205, 206, 211, 212, 219, 221, 225, 226, 227, 228, 230, 232
 TBE SUE PAGE NO: 27 of 36
 Checked by: *[Signature]*
 SUE Quality Level "A" : Test Holes
 SUE Quality Level "B" : Designating

—TS—	—TS—	TRAFFIC SIGNAL
—SL—	—SL—	STREET LIGHT
—COCE—	—COCE—	CITY OF CHICAGO ELECTRIC
—T—	—T—	TELEPHONE
—W—	—W—	WATER
—G—	—G—	GAS
—CTV—	—CTV—	CABLE TELEVISION
—FO—	—FO—	FIBER OPTIC
—E—	—E—	ELECTRIC
⊙	⊙	TEST HOLE

Utilities shown on these plans as depicted in the legend have been investigated by TBE Group, Inc in accordance with SUE Industry Standards. All other information shown has been provided to TBE Group, Inc by others.

205 W. WACKER DRIVE
 SUITE 1020
 CHICAGO, IL 60606
 (312) 704-1970

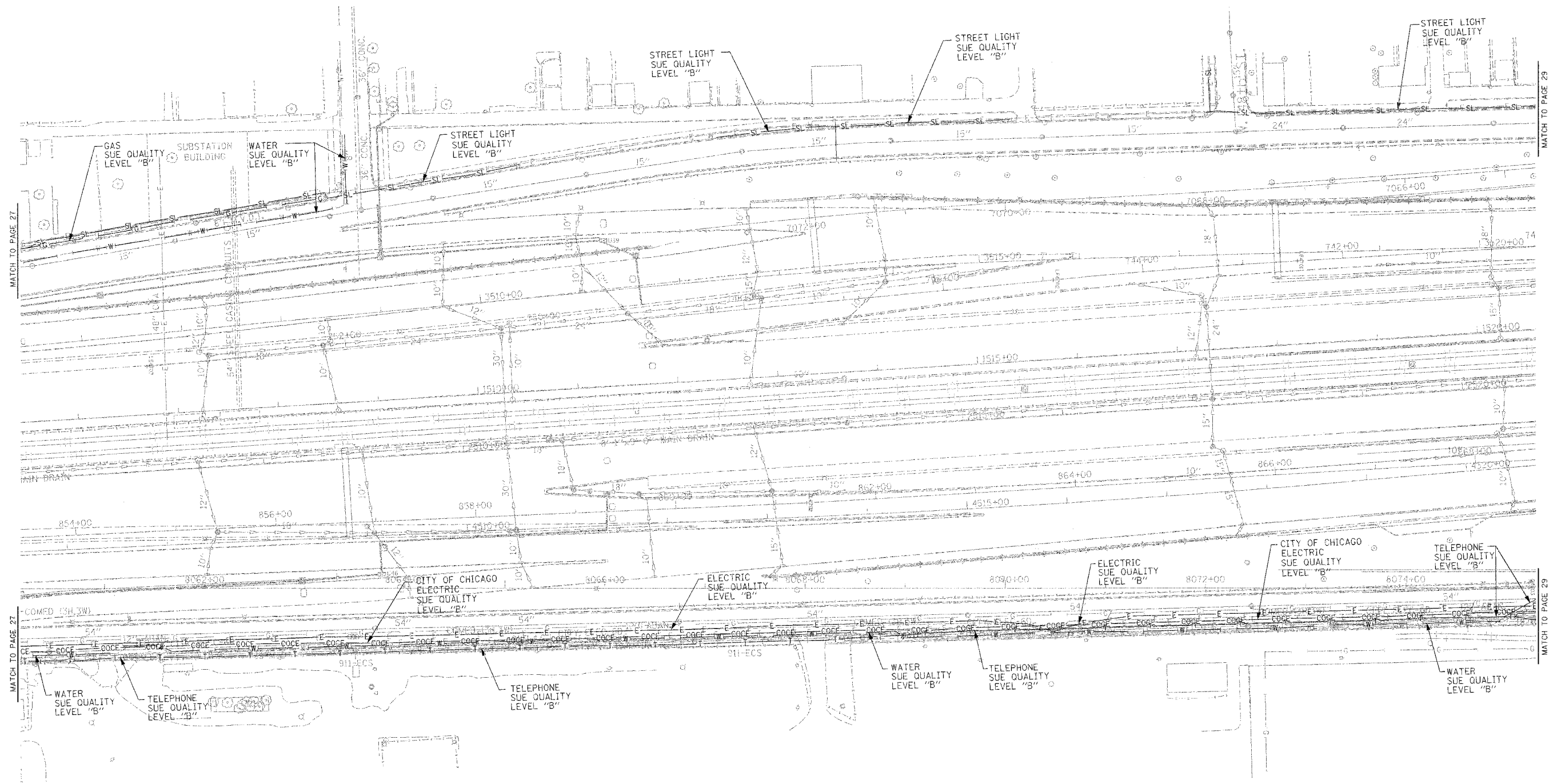
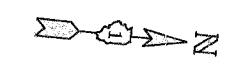
REVISIONS	
NAME	DATE

ILLINOIS DEPARTMENT OF TRANSPORTATION
 SUE Investigation of Underground Utilities
 I-90/I-94 Dan Ryan Expressway from
 I-57 to 69th Street
 Contract Number: 62590, 62592, 62594
 SQL "B" DATE : 7/22/04
 DRAWN BY : KLC
 SCALE : 1" = 50'

TBE could not locate buried utilities directly beneath the expressway due to traffic and safety issues.

*At the time of Quality Level "B" SUE services, the water lines were active. The lines, however, are now expected to be out of service per IDOT.

F.A. RTE.	SECTION	COUNTY	TOTAL SHEETS	SHEET NO.
	056.11717 & 1818-6	Cook	556	231
STA.	TO STA.			
FED. ROAD DIST. NO.	ILLINOIS	FED. AID PROJECT		



MATCH TO PAGE 27

MATCH TO PAGE 27

MATCH TO PAGE 29

MATCH TO PAGE 29

TBE GROUP, INC.
 CIVIL ENGINEERING * TRANSPORTATION * ENVIRONMENTAL
 * PLANNING * UTILITY ENGINEERING/LOCATING
 SOUTHERN REGION: FL, GA, SC, NC
 NORTHERN REGION: IL, IN, MI, OH, MD, NJ, NY
 PA, VA, CANADA
 WESTERN REGION: AZ, NV, NM, TX, CA, OR, UT, WA
 IL09500164, 167, 168, 170, 171, 179, 180, 182, 204,
 205, 206, 211, 212, 219, 221, 225, 226, 227, 228, 230, 232
 TBE SUE PAGE NO: 28 of 36
 Checked by: *Matthew E. 9/02*
 SUE Quality Level "A" : Test Holes
 SUE Quality Level "B" : Designating

—TS—	—TS—	TRAFFIC SIGNAL
—SL—	—SL—	STREET LIGHT
—COCE—	—COCE—	CITY OF CHICAGO ELECTRIC
—T—	—T—	TELEPHONE
—W—	—W—	WATER
—G—	—G—	GAS
—CTV—	—CTV—	CABLE TELEVISION
—FO—	—FO—	FIBER OPTIC
—E—	—E—	ELECTRIC
⊙	⊙	TEST HOLE

Utilities shown on these plans as depicted in the legend have been investigated by TBE Group, Inc in accordance with SUE Industry Standards. All other information shown has been provided to TBE Group, Inc by others.

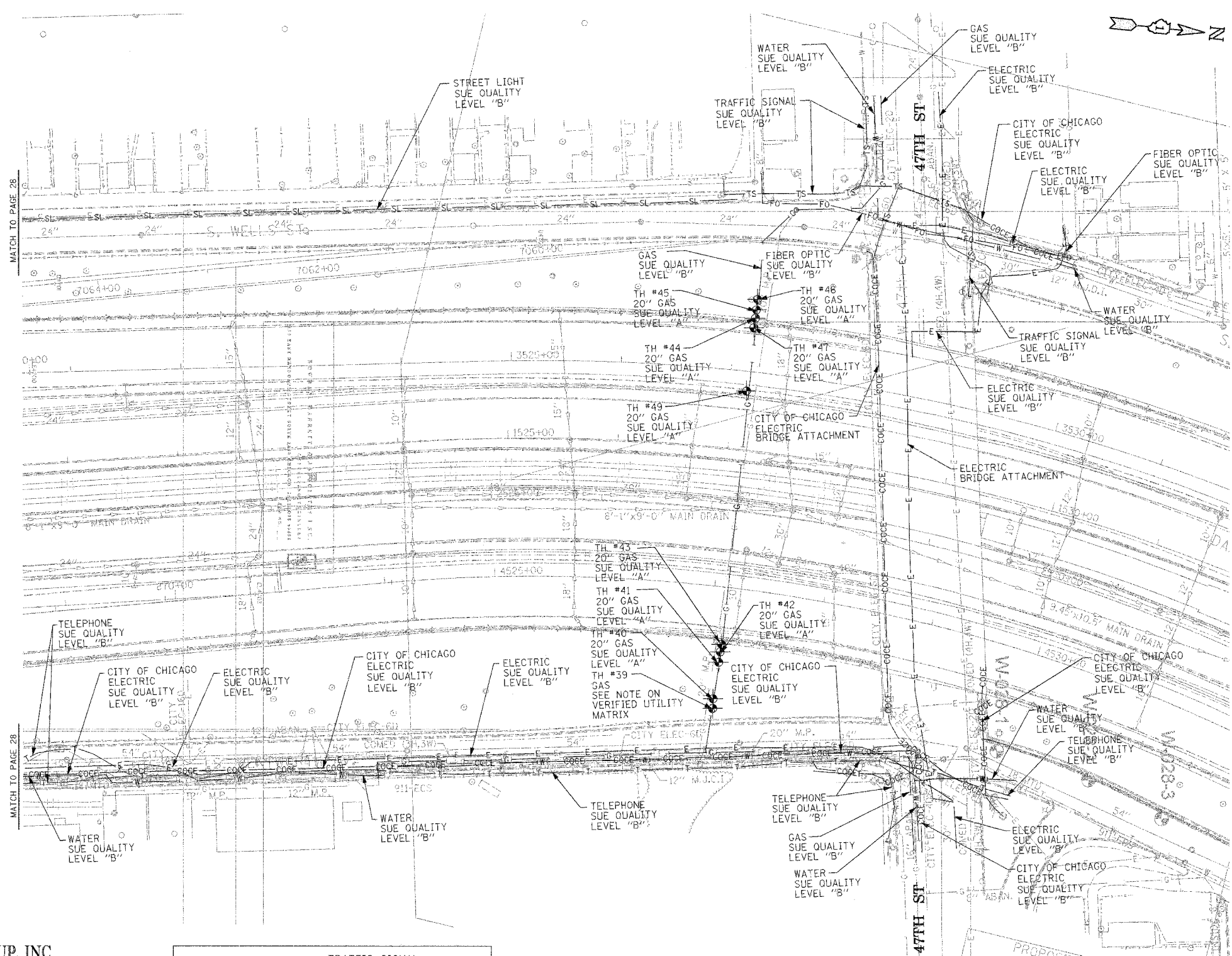
TBE could not locate buried utilities directly beneath the expressway due to traffic and safety issues.

205 W. WACKER DRIVE
 SUITE 1020
 CHICAGO, IL 60606
 (312) 704-1970

REVISIONS	
NAME	DATE

ILLINOIS DEPARTMENT OF TRANSPORTATION
 SUE Investigation of Underground Utilities
 I-90/I-94 Dan Ryan Expressway from
 I-57 to 69th Street
 Contract Number: 62590, 62592, 62594
 SQL "B" DATE : 7/22/04
 DRAWN BY : KLC
 SCALE : 1" = 50'

F.A. RTE.	SECTION	COUNTY	TOTAL SHEETS	SHEET NO.
0516,1717 & 1818-6	Cook		556	232
STA.	TO STA.			
FED. ROAD DIST. NO.	ILLINOIS	FED. AID PROJECT		



TBE GROUP, INC.
 CIVIL ENGINEERING * TRANSPORTATION * ENVIRONMENTAL
 * PLANNING * UTILITY ENGINEERING/LOCATING
 SOUTHERN REGION: FL, GA, SC, NC
 NORTHERN REGION: IL, IN, MI, OH, MD, NJ, NY
 PA, VA, CANADA
 WESTERN REGION: AZ, NV, NM, TX, CA, OR, UT, WA
 IL09500164, 167, 168, 170, 171, 179, 180, 182, 204,
 205, 206, 211, 212, 219, 221, 225, 226, 227, 228
 TBE SUE PAGE NO: 29 of 36
 Checked by: *[Signature]*
 SUE Quality Level "A" : Test Holes
 SUE Quality Level "B" : Designating

—TS—	—TS—	TRAFFIC SIGNAL
—SL—	—SL—	STREET LIGHT
—COCE—		CITY OF CHICAGO ELECTRIC
—T—	—T—	TELEPHONE
—W—	—W—	WATER
—G—	—G—	GAS
—CTV—	—CTV—	CABLE TELEVISION
—FO—	—FO—	FIBER OPTIC
—E—	—E—	ELECTRIC
⊙		TEST HOLE

Utilities shown on these plans as depicted in the legend have been investigated by TBE Group, Inc in accordance with SUE Industry Standards. All other Information shown has been provided to TBE Group, Inc by others.

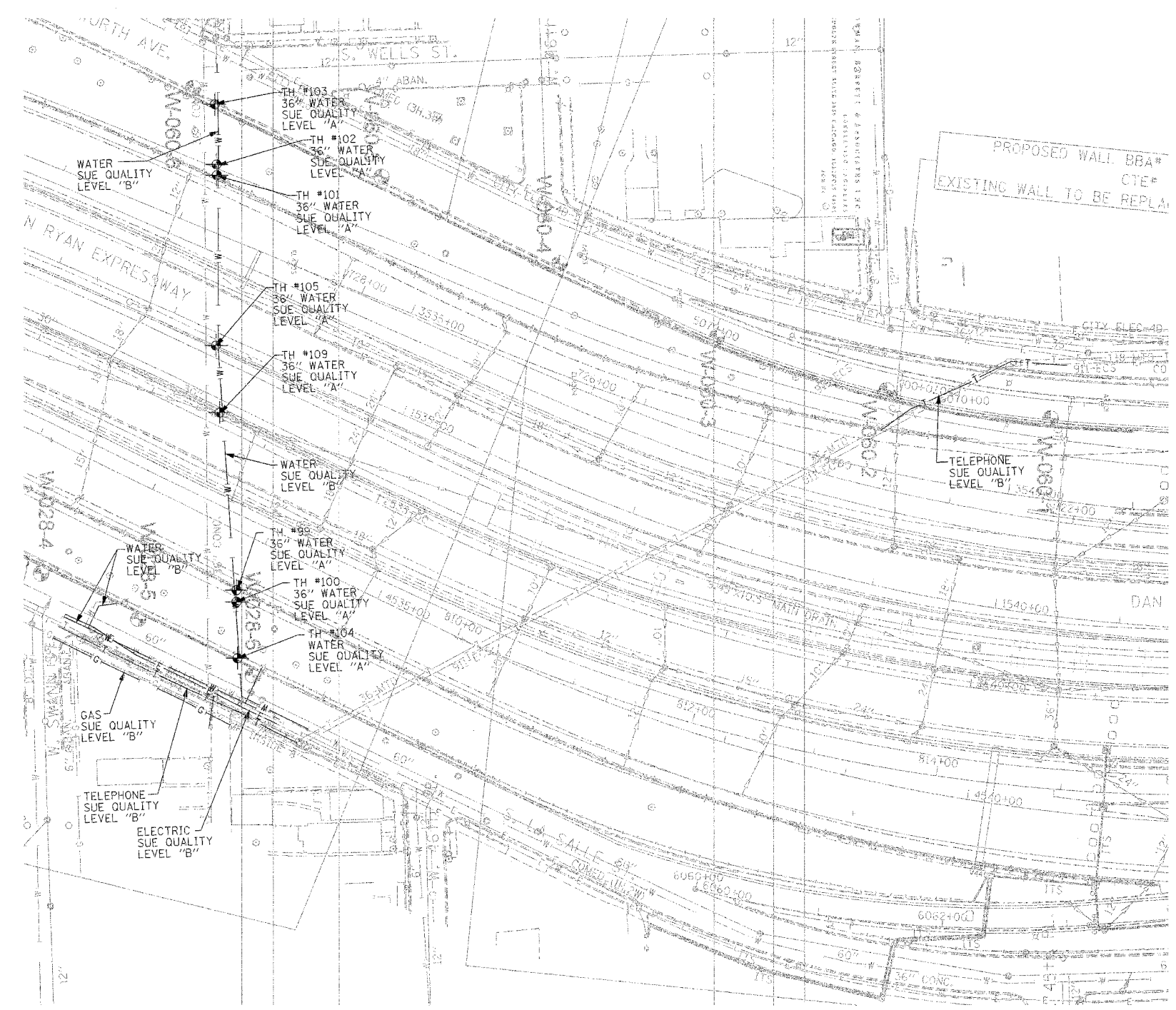
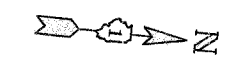
205 W. WACKER DRIVE
 SUITE 1020
 CHICAGO, IL 60606
 (312) 704-1970

REVISIONS	
NAME	DATE

ILLINOIS DEPARTMENT OF TRANSPORTATION
 SUE Investigation of Underground Utilities
 I-90/I-94 Dan Ryan Expressway from
 I-57 to 69th Street
 Contract Number: 62590, 62592, 62594
 SOL "A" DATE : 7/22/04
 SOL "B" DATE : 7/22/04
 DRAWN BY : KLC
 SCALE : 1" = 50'

TBE could not locate buried utilities directly beneath the expressway due to traffic and safety issues.

F.A. RTE.	SECTION	COUNTY	TOTAL SHEETS	SHEET NO.
1516J,1717 & 1818-6		Cook	556	233
STA.	TO STA.			
FED. ROAD DIST. NO.	ILLINOIS	FED. AID PROJECT		



TBE GROUP, INC.
 CIVIL ENGINEERING * TRANSPORTATION * ENVIRONMENTAL
 * PLANNING * UTILITY ENGINEERING/LOCATING
 SOUTHERN REGION: FL, GA, SC, NC
 NORTHERN REGION: IL, IN, MI, OH, MD, NJ, NY
 PA, VA, CANADA
 WESTERN REGION: AZ, NV, NM, TX, CA, OR, UT, WA

IL09500164, 167, 168, 170, 171, 179, 180, 182, 204,
 205, 206, 211, 212, 219, 221, 225, 226, 227, 228, 230, 232
 TBE SUE PAGE NO: 30 of 36
 Checked by: *J. Adams 4802*
 SUE Quality Level "A" : Test Holes
 SUE Quality Level "B" : Designating

—TS—	—TS—	TRAFFIC SIGNAL
—SL—	—SL—	STREET LIGHT
—COCE—		CITY OF CHICAGO ELECTRIC
—T—	—T—	TELEPHONE
—W—	—W—	WATER
—G—	—G—	GAS
—CTV—	—CTV—	CABLE TELEVISION
—FO—	—FO—	FIBER OPTIC
—E—	—E—	ELECTRIC
	⊙	TEST HOLE

Utilities shown on these plans as depicted in the legend have been investigated by TBE Group, Inc in accordance with SUE Industry Standards. All other information shown has been provided to TBE Group, Inc by others.

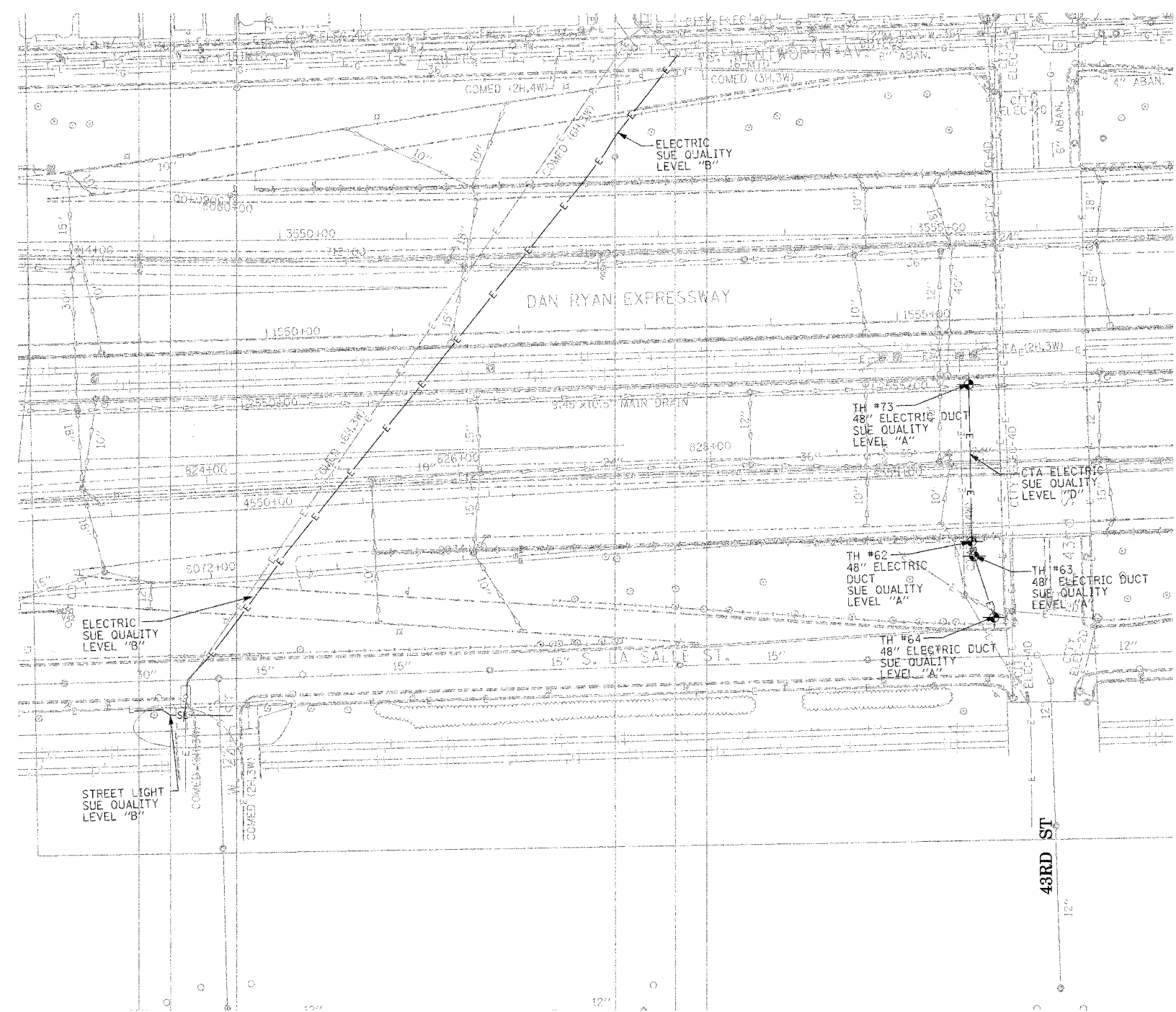
205 W. WACKER DRIVE
 SUITE 1020
 CHICAGO, IL 60606
 (312) 704-1970

TBE could not locate buried utilities directly beneath the expressway due to traffic and safety issues.

REVISIONS	
NAME	DATE

ILLINOIS DEPARTMENT OF TRANSPORTATION
 SUE Investigation of Underground Utilities
 I-90/I-94 Dan Ryan Expressway from
 I-57 to 69th Street
 Contract Number: 62590, 62592, 62594
 SUE "A" DATE: 12/30/04
 SUE "B" DATE: 7/22/04
 DRAWN BY: KLC
 SCALE: 1" = 50'


F.A. RTE.	SECTION	COUNTY	TOTAL SHEETS	SHEET NO.
	0516J.1717 & 1818-6	Cook	556	234
STA.	TO STA.			
FED. ROAD DIST. NO.	ILLINOIS	FED. AID PROJECT		



TBE GROUP, INC.
 CIVIL ENGINEERING * TRANSPORTATION * ENVIRONMENTAL
 * PLANNING * UTILITY ENGINEERING/LOCATING
 SOUTHERN REGION: FL, GA, SC, NC
 NORTHERN REGION: IL, IN, MI, OH, MD, NJ, NY
 P.A.V.A. CANADA
 WESTERN REGION: AZ, NV, NM, TX, CA, OR, UT, WA
 IL09500164, 167, 168, 170, 171, 179, 180, 182, 204,
 205, 206, 211, 212, 219, 221, 225, 226, 227, 228, 230, 232
 TBE SUE PAGE NO: 31 of 36
 Checked by: *[Signature]* E-9802
 SUE Quality Level "A" : Test Holes
 SUE Quality Level "B" : Designating

— TS —	— TS —	TRAFFIC SIGNAL
— SL —	— SL —	STREET LIGHT
— COCE —	— COCE —	CITY OF CHICAGO ELECTRIC
— T —	— T —	TELEPHONE
— W —	— W —	WATER
— G —	— G —	GAS
— CTV —	— CTV —	CABLE TELEVISION
— FO —	— FO —	FIBER OPTIC
— E —	— E —	ELECTRIC
●	●	TEST HOLE

Utilities shown on these plans as depicted in the legend have been investigated by TBE Group, Inc in accordance with SUE Industry Standards. All other information shown has been provided to TBE Group, Inc by others.

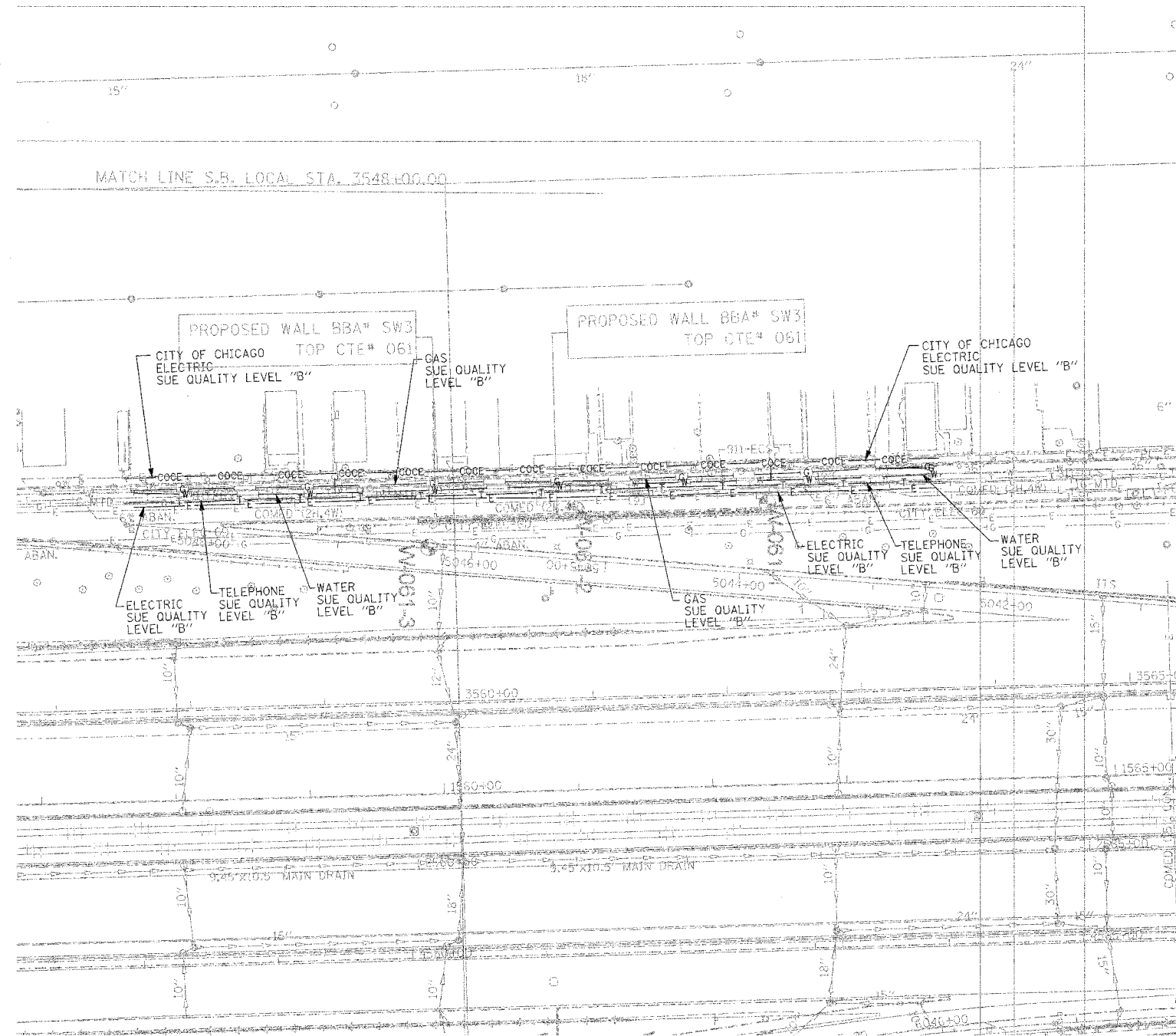

 205 W. WACKER DRIVE
 SUITE 1020
 CHICAGO, IL 60606
 (312) 704-1970

REVISIONS	
NAME	DATE

TBE could not locate buried utilities directly beneath the expressway due to traffic and safety issues.

ILLINOIS DEPARTMENT OF TRANSPORTATION
 SUE Investigation of Underground Utilities
 I-90/I-94 Dan Ryan Expressway from
 I-57 to 69th Street
 Contract Number: 62590, 62592, 62594
 SQL "B" DATE : 7/22/04
 DRAWN BY : KLC
 SCALE : 1" = 50'


F.A. RTE.	SECTION	COUNTY	TOTAL SHEETS	SHEET NO.
	056J.1717 & 1818-6	Cook	556	235
STA.	TO STA.			
FED. ROAD DIST. NO.	ILLINOIS	FED. AID PROJECT		



TBE GROUP, INC.
 CIVIL ENGINEERING * TRANSPORTATION * ENVIRONMENTAL
 * PLANNING * UTILITY ENGINEERING/LOCATING
 SOUTHERN REGION: FL, GA, SC, NC
 NORTHERN REGION: IL, IN, MI, OH, MD, NJ, NY
 PA, VA, CANADA
 WESTERN REGION: AZ, NV, NM, TX, CA, OR, UT, WA
 IL09500164, 167, 168, 170, 171, 179, 180, 182, 204,
 205, 206, 211, 212, 219, 221, 225, 226, 227, 228, 230, 232
 TBE SUE PAGE NO: 32 of 36
 Checked by: *[Signature]* E-9802
 SUE Quality Level "A" : Test Holes
 SUE Quality Level "B" : Designating

— TS —	— TS —	TRAFFIC SIGNAL
— SL —	— SL —	STREET LIGHT
— COCE —	— COCE —	CITY OF CHICAGO ELECTRIC
— T —	— T —	TELEPHONE
— W —	— W —	WATER
— G —	— G —	GAS
— CTV —	— CTV —	CABLE TELEVISION
— FO —	— FO —	FIBER OPTIC
— E —	— E —	ELECTRIC
⊙	⊙	TEST HOLE

Utilities shown on these plans as depicted in the legend have been investigated by TBE Group, Inc in accordance with SUE Industry Standards. All other information shown has been provided to TBE Group, Inc by others.

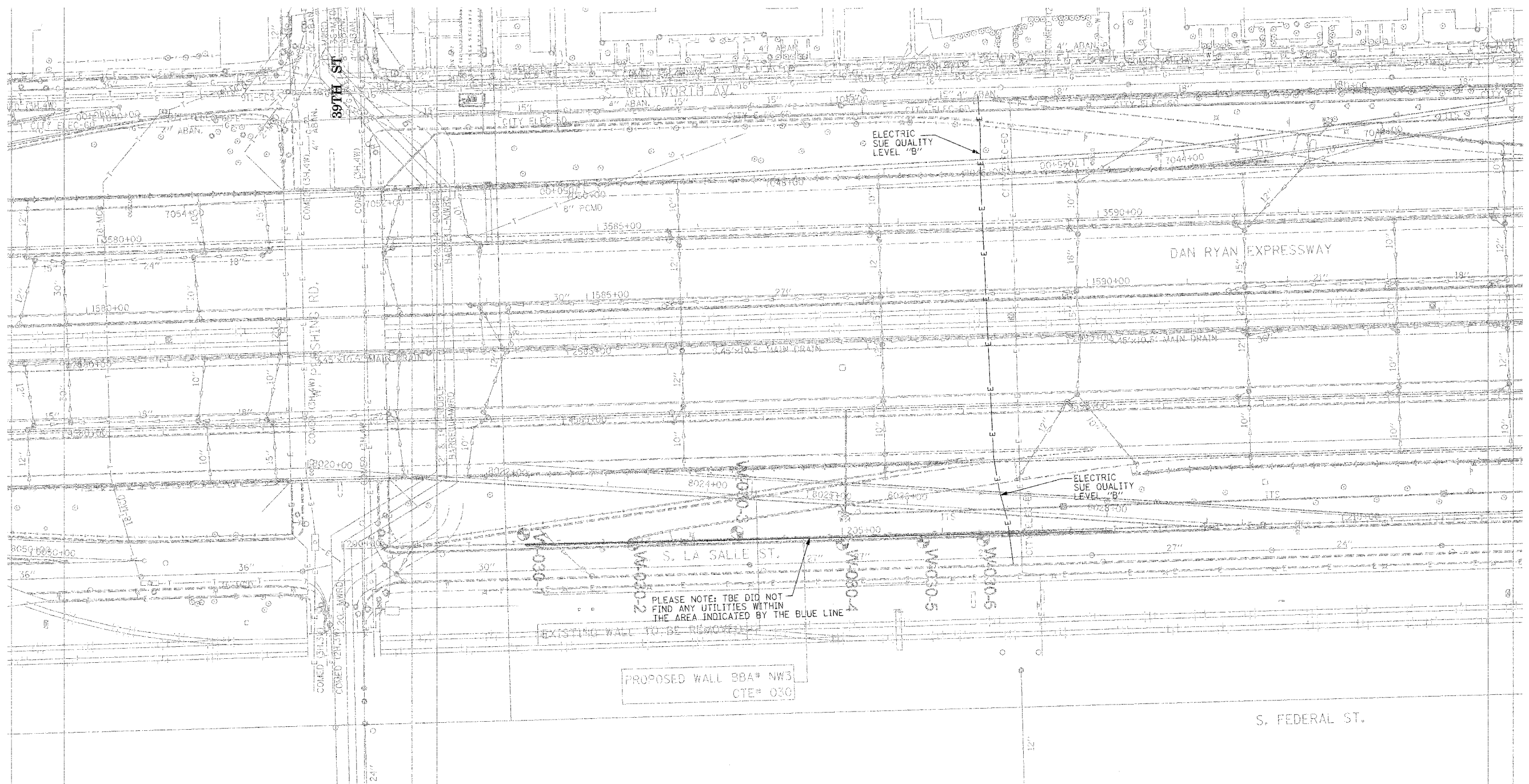
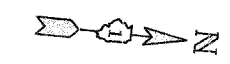

 205 W. WACKER DRIVE
 SUITE 1020
 CHICAGO, IL 60606
 (312) 704-1970

REVISIONS	
NAME	DATE

TBE could not locate buried utilities directly beneath the expressway due to traffic and safety issues.

ILLINOIS DEPARTMENT OF TRANSPORTATION
 SUE Investigation of Underground Utilities
 I-90/I-94 Dan Ryan Expressway from
 1-57. to 69th Street
 Contract Number: 62590, 62592, 62594
 SOI "B" DATE : 7/22/04
 DRAWN BY : KLC
 SCALE : 1" = 50'

F.A. RTE.	SECTION	COUNTY	TOTAL SHEETS	SHEET NO.
	0516.1717 & 1818-6	Cook	566	236
STA.	TO STA.			
FED. ROAD DIST. NO.	ILLINOIS	FED. AID PROJECT		



PLEASE NOTE: TBE DID NOT FIND ANY UTILITIES WITHIN THE AREA INDICATED BY THE BLUE LINE
 EXISTING WALL TO BE REMOVED
 PROPOSED WALL BBA# NW3
 CTE# 030



TBE GROUP, INC.
 CIVIL ENGINEERING * TRANSPORTATION * ENVIRONMENTAL
 * PLANNING * UTILITY ENGINEERING/LOCATING
 SOUTHERN REGION: FL, GA, SC, NC
 NORTHERN REGION: IL, IN, MI, OH, MD, NJ, NY
 PA, VA, CANADA
 WESTERN REGION: AZ, NV, NM, TX, CA, OR, UT, WA

IL09500164, 167, 168, 170, 171, 179, 180, 182, 204,
 205, 206, 211, 212, 219, 221, 225, 226, 227, 228, 230, 232
 TBE SUE PAGE NO: 33 of 36
 Checked by: *J. Adams*
 SUE Quality Level "A" : Test Holes
 SUE Quality Level "B" : Designating

—TS—	—TS—	TRAFFIC SIGNAL
—SL—	—SL—	STREET LIGHT
—COCE—	—COCE—	CITY OF CHICAGO ELECTRIC
—T—	—T—	TELEPHONE
—W—	—W—	WATER
—G—	—G—	GAS
—CTV—	—CTV—	CABLE TELEVISION
—FO—	—FO—	FIBER OPTIC
—E—	—E—	ELECTRIC
⊙	⊙	TEST HOLE

Utilities shown on these plans as depicted in the legend have been investigated by TBE Group, Inc in accordance with SUE Industry Standards. All other information shown has been provided to TBE Group, Inc by others.

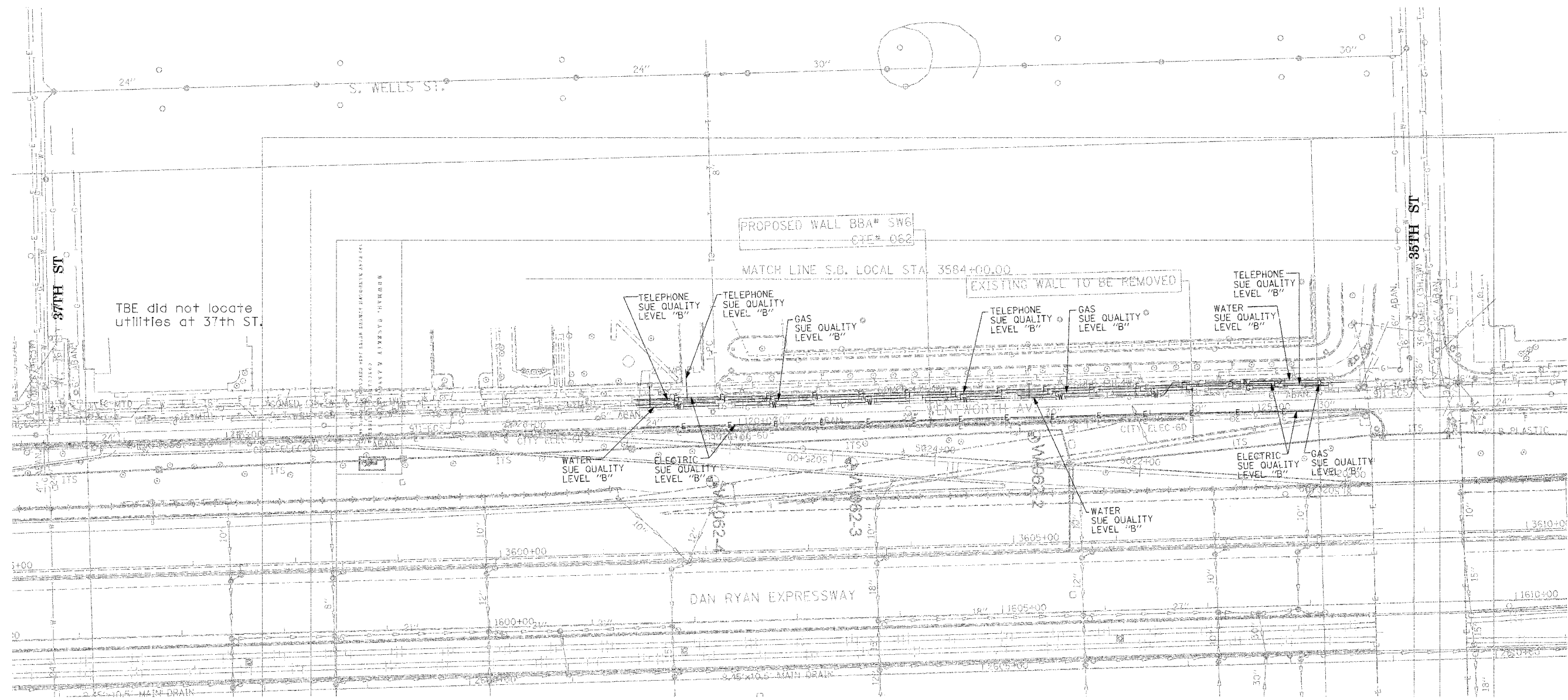
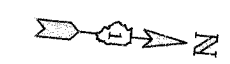
205 W. WACKER DRIVE
 SUITE 1020
 CHICAGO, IL 60606
 (312) 704-1970

TBE could not locate buried utilities directly beneath the expressway due to traffic and safety issues.

REVISIONS	
NAME	DATE

ILLINOIS DEPARTMENT OF TRANSPORTATION
 SUE Investigation of Underground Utilities
 I-90/I-94 Dan Ryan Expressway from
 I-57 to 69th Street
 Contract Number: 62590, 62592, 62594
 SOI "B" DATE : 7/22/04
 DRAWN BY : KLC
 SCALE : 1" = 50'

F.A. RTE.	SECTION	COUNTY	TOTAL SHEETS	SHEET NO.
0516.11717 & 1818-6		Cook	556	237
STA.	TO STA.			
FED. ROAD DIST. NO.	ILLINOIS	FED. AID PROJECT		



TBE did not locate utilities at 37th ST.

EXISTING WALL TO BE REMOVED

DAN RYAN EXPRESSWAY

TBE CIVIL ENGINEERING * TRANSPORTATION * ENVIRONMENTAL * PLANNING * UTILITY ENGINEERING/LOCATING
 SOUTHERN REGION: FL, GA, SC, NC
 NORTHERN REGION: IL, IN, MI, OH, MD, NJ, NY
 PA, VA, CANADA
 WESTERN REGION: AZ, NV, NM, TX, CA, OR, UT, WA
 IL09500164, 167, 168, 170, 171, 179, 180, 182, 204,
 205, 206, 211, 212, 219, 221, 225, 226, 227, 228, 230, 232
 TBE SUE PAGE NO: 34 of 36
 Checked by: *[Signature]* 8-9802
 SUE Quality Level "A" : Test Holes
 SUE Quality Level "B" : Designating

—TS—	—TS—	TRAFFIC SIGNAL
—SL—	—SL—	STREET LIGHT
—COCE—	—COCE—	CITY OF CHICAGO ELECTRIC
—T—	—T—	TELEPHONE
—W—	—W—	WATER
—G—	—G—	GAS
—CTV—	—CTV—	CABLE TELEVISION
—FO—	—FO—	FIBER OPTIC
—E—	—E—	ELECTRIC
●	●	TEST HOLE

Utilities shown on these plans as depicted in the legend have been investigated by TBE Group, Inc in accordance with SUE Industry Standards. All other information shown has been provided to TBE Group, Inc by others.

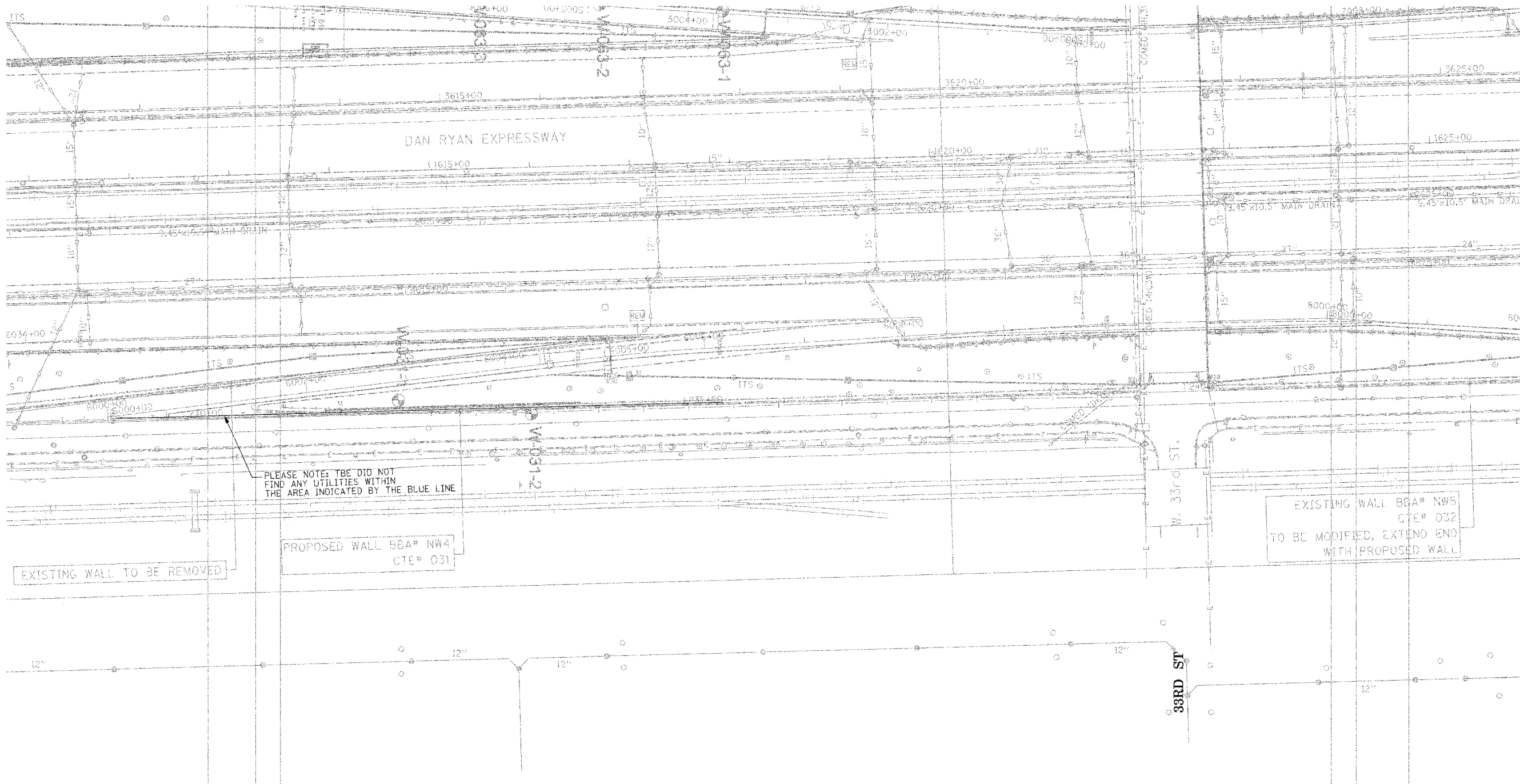
205 W. WACKER DRIVE
 SUITE 1020
 CHICAGO, IL 60606
 (312) 704-1970

REVISIONS	
NAME	DATE

TBE could not locate buried utilities directly beneath the expressway due to traffic and safety issues.

ILLINOIS DEPARTMENT OF TRANSPORTATION
 SUE Investigation of Underground Utilities
 I-90/I-94 Dan Ryan Expressway from I-57 to 69th Street
 Contract Number: 62590, 62592, 62594
 SQL "B" DATE : 7/22/04
 DRAWN BY : KLC
 SCALE : 1" = 50'

F.A. . RTE.	SECTION 0516J.11717 & 1818-6	COUNTY Cook	TOTAL SHEETS 556	SHEET NO. 238
STA.	TO STA.			
FED. ROAD DIST. NO.	ILLINOIS	FED. AID PROJECT		



PLEASE NOTE: TBE DID NOT FIND ANY UTILITIES WITHIN THE AREA INDICATED BY THE BLUE LINE

EXISTING WALL TO BE REMOVED

PROPOSED WALL BEA# NW4
CTE# 031

EXISTING WALL BBA# NW5
CTE# 032
TO BE MODIFIED, EXTEND END
WITH PROPOSED WALL



TBE GROUP, INC.

CIVIL ENGINEERING * TRANSPORTATION * ENVIRONMENTAL
* PLANNING * UTILITY ENGINEERING/LOCATING
SOUTHERN REGION: FL, GA, SC, NC
NORTHERN REGION: IL, IN, MI, OH, MD, NJ, NY
PA, VA, CANADA
WESTERN REGION: AZ, NV, NM, TX, CA, OR, UT, WA

IL09500164, 167, 168, 170, 171, 179, 180, 182, 204,
205, 206, 211, 212, 219, 221, 225, 226, 227, 228, 230, 232

TBE SUE PAGE NO: 35 of 36
Checked by: *Madame E-280*

SUE Quality Level "A" : Test Holes
SUE Quality Level "B" : Designating

—TS—	—TS—	TRAFFIC SIGNAL
—SL—	—SL—	STREET LIGHT
—COCE—	—COCE—	CITY OF CHICAGO ELECTRIC
—T—	—T—	TELEPHONE
—W—	—W—	WATER
—G—	—G—	GAS
—CTV—	—CTV—	CABLE TELEVISION
—FO—	—FO—	FIBER OPTIC
—E—	—E—	ELECTRIC
●	●	TEST HOLE

Utilities shown on these plans as depicted in the legend have been investigated by TBE Group, Inc in accordance with SUE Industry Standards. All other information shown has been provided to TBE Group, Inc by others.

TBE could not locate buried utilities directly beneath the expressway due to traffic and safety issues.

205 W. WACKER DRIVE
SUITE 1020
CHICAGO, IL 60606
(312) 704-1970

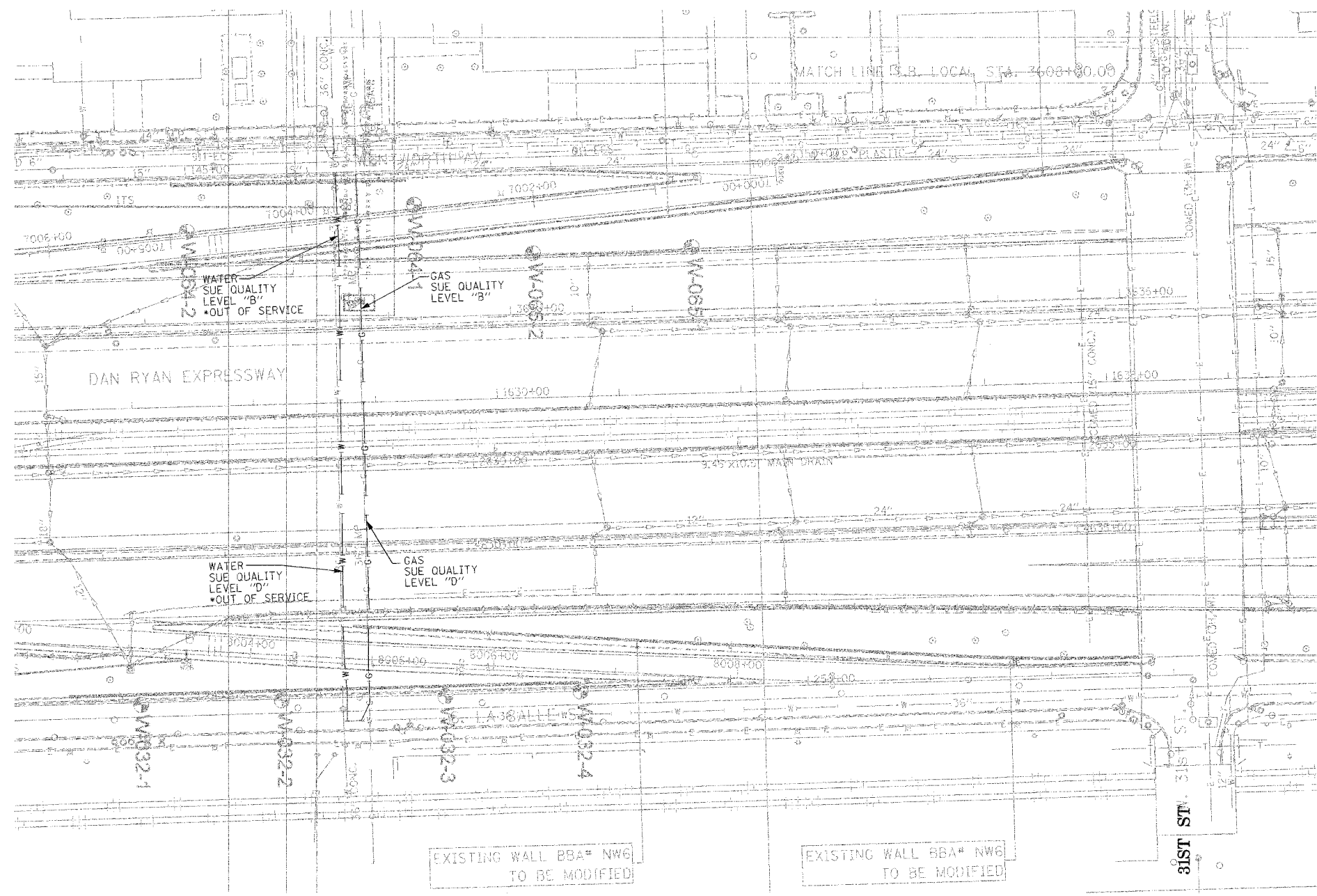
REVISIONS	
NAME	DATE

ILLINOIS DEPARTMENT OF TRANSPORTATION

SUE Investigation of Underground Utilities
I-90/I-94 Dan Ryan Expressway from
I-57 to 69th Street
Contract Number: 62590, 62592, 62594

SQL "B" DATE : 7/22/04
DRAWN BY : KLC
SCALE : 1" = 50'

F.A. RTE.	SECTION	COUNTY	TOTAL SHEETS	SHEET NO.
	0516.11717 & 1818-6	Cook	556	239
STA.	TO STA.			
FED. ROAD DIST. NO.	ILLINOIS	FED. AID PROJECT		




TBE CIVIL ENGINEERING * TRANSPORTATION * ENVIRONMENTAL
 * PLANNING * UTILITY ENGINEERING/LOCATING
 SOUTHERN REGION: FL, GA, SC, NC
 NORTHERN REGION: IL, IN, MI, OH, MD, NJ, NY
 PA, VA, CANADA
 WESTERN REGION: AZ, NV, NM, TX, CA, OR, UT, WA

IL09500164, 167, 168, 170, 171, 179, 180, 182, 204,
 205, 206, 211, 212, 219, 221, 225, 226, 227, 228, 230, 232
 TBE SUE PAGE NO: 36 of 36
 Checked by: *[Signature]* E-9802
 SUE Quality Level "A" : Test Holes
 SUE Quality Level "B" : Designating

— TS —	— TS —	TRAFFIC SIGNAL
— SL —	— SL —	STREET LIGHT
— COCE —	— COCE —	CITY OF CHICAGO ELECTRIC
— T —	— T —	TELEPHONE
— W —	— W —	WATER
— G —	— G —	GAS
— CTV —	— CTV —	CABLE TELEVISION
— FO —	— FO —	FIBER OPTIC
— E —	— E —	ELECTRIC
⊙	⊙	TEST HOLE

Utilities shown on these plans as depicted in the legend have been investigated by TBE Group, Inc in accordance with SUE Industry Standards. All other information shown has been provided to TBE Group, Inc by others.


 205 W. WACKER DRIVE
 SUITE 1020
 CHICAGO, IL 60606
 (312) 704-1970

REVISIONS	
NAME	DATE

ILLINOIS DEPARTMENT OF TRANSPORTATION
 SUE Investigation of Underground Utilities
 I-90/I-94 Dan Ryan Expressway from
 I-57 to 69th Street
 Contract Number: 62590, 62592, 62594
 SOL "B" DATE : 7/22/04
 DRAWN BY : KLC
 SCALE : 1" = 50'

TBE could not locate buried utilities directly beneath the expressway due to traffic and safety issues.
 *At the time of Quality Level "B" SUE services, the water lines were active. The lines, however, are now expected to be out of service per IDOT.

VERIFIED UTILITY INFORMATION

TEST HOLE #	SIZE & TYPE	NORTHING	EASTING	TOP OF UTILITY	EXISTING CUT	REFERENCE GROUND ELEVATION	COMMENTS
1	20" G	1867123.035	1175606.560	-1.85	1.50	-0.35	SUE QUALITY LEVEL "A"
2	12" W	1867115.884	1175606.924	-1.53	1.13	-0.40	SUE QUALITY LEVEL "A"
3	20" G	1867122.650	1175602.392	-0.08	0.69	0.61	SUE QUALITY LEVEL "A"
4	20" G	1867122.945	1175609.366	-6.36	5.41	-0.95	SUE QUALITY LEVEL "A"
5	20" G	1867132.835	1175901.810	-4.63	3.39	-1.24	SUE QUALITY LEVEL "A"
6	20" G	1867132.928	1175905.856	-2.34	2.74	0.40	SUE QUALITY LEVEL "A"
7	20" G	1867132.947	1175910.232	0.11	1.93	2.04	SUE QUALITY LEVEL "A"
8	20" G	1867132.990	1175897.762	-5.44	3.49	-1.95	SUE QUALITY LEVEL "A"
1A	20" G	1861211.910	1177445.200	15.85	3.65	19.50	SUE QUALITY LEVEL "A"
2A	8" W	1861211.860	1177441.360	14.70	4.87	19.57	SUE QUALITY LEVEL "A"
3A	6" G	1861211.740	1177450.260	15.19	4.18	19.37	SUE QUALITY LEVEL "A"
4A	6" G	1861598.210	1177437.850	15.50	4.43	19.93	SUE QUALITY LEVEL "A"
5A	20" G	1861598.200	1177433.420	17.22	2.82	20.04	SUE QUALITY LEVEL "A"
6A	8" W	1861597.270	1177429.100	15.66	4.42	20.08	SUE QUALITY LEVEL "A"
7A	SEE NOTE	1862113.690	1176035.420	---	7.29	0.33	SEE NOTE
8A	SEE NOTE	1862704.020	1176033.590	-6.74	5.31	-1.43	SUE QUALITY LEVEL "A"
9	16" G	1863104.250	1175969.140	-2.44	4.55	2.11	SUE QUALITY LEVEL "A"
10	16" G	1863104.500	1175976.510	-1.83	5.77	3.94	SUE QUALITY LEVEL "A"
11	16" G	1863104.750	1175982.670	0.42	5.48	5.90	SUE QUALITY LEVEL "A"
12	*42" E	1863114.170	1175968.110	-2.35	4.64	2.29	SUE QUALITY LEVEL "A"
13	*42" E	1863114.830	1175975.120	-2.35	6.43	4.08	SUE QUALITY LEVEL "A"
14	*42" E	1863116.050	1175983.240	-2.34	9.02	6.68	SUE QUALITY LEVEL "A"
14A	12" W	1863125.770	1175969.560	-2.99	5.96	2.97	SUE QUALITY LEVEL "A"
15	2x*18" BT	1863258.330	1175962.750	-6.25	9.98	3.73	SUE QUALITY LEVEL "A"
16	2X*18" BT	1863256.850	1175970.740	-3.14	9.44	6.30	SUE QUALITY LEVEL "A"
17	2x*18" BT	1863255.680	1175981.210	-3.00	12.97	9.97	SUE QUALITY LEVEL "A"
18	2x*18" BT	1863254.030	1175661.690	-5.00	8.95	3.95	SUE QUALITY LEVEL "A"
19	2x*18" BT	1863252.560	1175654.200	-4.38	11.01	6.63	SUE QUALITY LEVEL "A"
20	2x*18" BT	1863250.510	1175644.060	-3.62	13.39	9.77	SUE QUALITY LEVEL "A"
21	*42" E	1863105.180	1175669.260	0.89	3.54	4.43	SUE QUALITY LEVEL "A"
22	*42" E	1863105.160	1175660.820	-1.00	7.50	6.50	SUE QUALITY LEVEL "A"

VERIFIED UTILITY INFORMATION

TEST HOLE #	SIZE & TYPE	NORTHING	EASTING	TOP OF UTILITY	EXISTING CUT	REFERENCE GROUND ELEVATION	COMMENTS
23	*42" E	1863105.310	1175651.280	-0.63'	10.05'	9.42'	SUE QUALITY LEVEL "A"
24	16" G	1863097.580	1175669.900	0.15'	4.36'	4.51'	SUE QUALITY LEVEL "A"
25	16" G	1863097.130	1175661.950	1.09'	5.01'	6.10'	SUE QUALITY LEVEL "A"
26	16" G	1863096.690	1175655.260	1.53'	6.63'	8.16'	SUE QUALITY LEVEL "A"
27	*18" BT	1865094.940	1175582.150	0.35'	11.57'	11.92'	SUE QUALITY LEVEL "A"
28	*18" BT	1865097.810	1175578.180	1.03'	12.10'	13.13'	SUE QUALITY LEVEL "A"
29	*18" BT	1865100.160	1175573.950	2.11'	12.35'	14.46'	SUE QUALITY LEVEL "A"
30	*36" E	1865099.910	1175578.500	-3.55'	16.71'	13.16'	SUE QUALITY LEVEL "A"
31	*36" E	1865103.162	1175573.669	-2.89'	17.47'	14.58'	SUE QUALITY LEVEL "A"
32	*36" E	1865097.615	1175581.930	-3.91'	15.88'	11.97'	SUE QUALITY LEVEL "A"
33	*36" E	1865124.435	1175973.073	0.82'	13.43'	14.25'	SUE QUALITY LEVEL "A"
34	*18" BT	1865090.975	1175932.544	-4.41'	6.37'	1.96'	SUE QUALITY LEVEL "A"
35	*36" E	1865105.924	1175934.833	-4.59'	7.05'	2.46'	SUE QUALITY LEVEL "A"
36	*36" E	1865120.467	1175968.691	-0.94'	14.14'	13.20'	SUE QUALITY LEVEL "A"
37	*18" BT	1865098.448	1175972.477	2.26'	10.37'	12.63'	SUE QUALITY LEVEL "A"
38	*18" BT	1865095.321	1175968.307	-0.23'	12.22'	11.99'	SUE QUALITY LEVEL "A"
39	See Note G	1873623.853	1175722.432	---	16.00'	12.60'	CLEARANCE DEPTH
40	20" G	1873624.086	1175713.696	-6.36'	16.78'	10.42'	SUE QUALITY LEVEL "A"
41	20" G	1873629.270	1175680.376	-10.19'	9.14'	-1.05'	SUE QUALITY LEVEL "A"
42	20" G	1873630.734	1175671.020	-12.73'	9.01'	-3.72'	SUE QUALITY LEVEL "A"
43	20" G	1873631.833	1175664.164	-13.65'	7.75'	-5.90'	SUE QUALITY LEVEL "A"
44	20" G	1873662.688	1175369.141	-3.90'	4.72'	0.82'	SUE QUALITY LEVEL "A"
45	20" G	1873663.608	1175361.458	-2.90'	5.76'	2.86'	SUE QUALITY LEVEL "A"
46	20" G	1873664.488	1175351.804	-0.50'	5.98'	5.48'	SUE QUALITY LEVEL "A"
47	20" G	1873661.260	1175377.470	-4.21'	3.61'	-0.60'	SUE QUALITY LEVEL "A"
48	*36" E	1865096.950	1175617.420	-3.95'	5.91'	1.96'	SUE QUALITY LEVEL "A"
48A	(3)12" UNK	1865098.890	1175616.560	-1.25'	3.20'	1.95'	
49	20" G	1873654.520	1175434.880	-6.86'	4.54'	-2.32'	SUE QUALITY LEVEL "A"
50	*36" E	1865097.950	1175663.360	-4.48'	6.85'	2.37'	SUE QUALITY LEVEL "A"
51	*18" BT	1865085.150	1175663.290	-5.46'	7.73'	2.27'	SUE QUALITY LEVEL "A"
52	*18" BT	1865085.030	1175617.240	-4.60'	6.57'	1.97'	SUE QUALITY LEVEL "A"

TBE Project Information

* Size given is duct width only.
 TH#7A unable to determine object found due to water & soil collapsing.
 TH#8A found old wood RR ties laid straight in direction of duct. Could not expose utility, however, SBC confirmed that the duct is directly below RR ties. The existing cut is to top of RR ties.
 TH#39 TBE could not physically see gas main. Dug to 16' got electronic depth of 19.5'.

ALL INFORMATION SHOWN WAS OBTAINED FROM A LOCATION SURVEY.

Illinois Department of Transportation

I-90 /94 (NB & SB of Dan Ryan Expressway)
 Chicago-Cook County
 Sec No: (2122-921 PT1) R, (2021-922 PT1,2)
 Contract No. 62586, 62589, 62693, 62694, 62695
 TBE Project No.: IL09500164, 167, 168, 170, 171, 179, 180, 182, 204, 205, 206, 211, 212, 219, 221, 225, 226, 227, 228, 230, 232

REVISIONS

DATE	BY	DESCRIPTION	DATE	BY	DESCRIPTION	DATE	BY	DESCRIPTION	DATE	BY	DESCRIPTION	DATE	BY	DESCRIPTION
6-16-05	KLC	REMOVE QL "A" FROM TH#8A												



VERIFIED UTILITY LOCATIONS

QC: JHofman E-9802

VERIFIED UTILITY INFORMATION

TEST HOLE #	SIZE & TYPE	NORTHING	EASTING	TOP OF UTILITY	EXISTING CUT	REFERENCE GROUND ELEVATION	COMMENTS
53	*18" BT	1865113.010	1175555.020	4.67'	14.33'	19.00'	SUE QUALITY LEVEL "A"
54	See Note E	1865117.050	1175555.790	—	18.59'	18.99'	CLEARANCE DEPTH ONLY
55	*18" BT	1865108.400	1175989.320	9.85'	9.02'	18.87'	SUE QUALITY LEVEL "A"
55A	24" SAN	1865109.300	1175987.610	11.77'	7.10'	18.87'	SUE QUALITY LEVEL "A"
56	*36" E	1865136.380	1175984.770	3.20'	15.68'	18.88'	SUE QUALITY LEVEL "A"
56A	24" SAN	1865138.320	1175986.600	11.93'	6.92'	18.85'	SUE QUALITY LEVEL "A"
57	*18" BT	1865091.120	1175928.050	-5.77'	7.13'	1.36'	SUE QUALITY LEVEL "A"
58	*36" E	1865105.640	1175928.120	-4.59'	6.03'	1.44'	SUE QUALITY LEVEL "A"
59	*36" E	1865104.390	1175856.480	-4.90'	7.41'	2.51'	SUE QUALITY LEVEL "A"
60	*18" BT	1865090.480	1175856.950	-5.29'	7.65'	2.36'	SUE QUALITY LEVEL "A"
MAN HOLE #	TYPE	NORTHING	EASTING	TOP OF UTILITY	EXISTING CUT	REFERENCE MH RIM ELEVATION	COMMENTS
61	Telephone	1863240.510	1175610.790	*1.41'	19.13'	20.54'	SUE QUALITY LEVEL "A"
TEST HOLE #	SIZE & TYPE	NORTHING	EASTING	TOP OF UTILITY	EXISTING CUT	REFERENCE GROUND ELEVATION	COMMENTS
62	*48" E	1876425.900	1176044.730	-6.88'	3.44'	-3.44'	SUE QUALITY LEVEL "A"
63	*48" E	1876427.860	1176056.140	-4.87'	4.14'	-0.73'	SUE QUALITY LEVEL "A"
64	*48" E	1876443.770	1176104.400	4.13'	8.39'	12.52'	SUE QUALITY LEVEL "A"
65	*48" E	1863237.110	1175774.930	-1.66'	4.62'	2.96'	SUE QUALITY LEVEL "A"
66	*48" E	1841495.350	1177598.790	8.42'	7.24'	15.66'	SUE QUALITY LEVEL "A"
67	*48" E	1852792.550	1177384.230	-10.35'	4.37'	-5.98'	SUE QUALITY LEVEL "A"
68	*48" E	1852792.730	1177375.900	-8.91'	4.03'	-4.88'	SUE QUALITY LEVEL "A"
69	*48" E	1841506.530	1177600.310	7.60'	8.15'	15.75'	SUE QUALITY LEVEL "A"
70	*48" E	1852792.330	1177435.710	-12.58'	5.65'	-6.93'	SUE QUALITY LEVEL "A"
71	*28" E	1841906.380	1177641.010	12.54'	3.46'	16.00'	SUE QUALITY LEVEL "A"
72	*48" E	1852791.510	1177336.410	1.83'	7.76'	9.59'	SUE QUALITY LEVEL "A"
73	*48" E	1876423.560	1175920.080	-12.48'	8.82'	-3.66'	SUE QUALITY LEVEL "A"
74	*48" E	1863227.820	1175613.390	8.97'	11.23'	20.20'	SUE QUALITY LEVEL "A"
75	*48" E	1841508.250	1177677.360	-7.19'	4.61'	-2.58'	SUE QUALITY LEVEL "A"
76	*48" E	1841493.000	1177684.360	-7.65'	4.53'	-3.12'	SUE QUALITY LEVEL "A"
77	*48" E	1841492.150	1177692.100	-7.95'	7.02'	-0.93'	SUE QUALITY LEVEL "A"

TBE Project Information

* Size given is duct width only.
 TH#54 TBE could not reach utility due to depth, Clearance given.
 MH#61 Man Hole elevation to top of phone cables exiting man hole.
 TH#80 Could not expose utilities due to extremely hard clay. Clearance depth of 7.88' given.
 TH#81 Appears to be a 34" poured in place concrete cap over CTA conduit.
 TH#87 found a 16" pipe but was unable to see it due to water table. Probed another 3' down past pipe, unable to find 36" w/m electronic Depth 24'
 TH#89 Utility not exposed due to excessive water in hole.
 TH#90 Utility not exposed, clearance depth of 13.65'.
 TH#96 Utility not exposed, clearance depth of 10.80'.
 TH#97 Reference point destroyed by construction crews before survey could be completed. Material was unidentifiable.
 TH#104 Concrete cap poured over utility.
 TH#107 Utility not exposed, clearance depth of 16.79'.

ALL INFORMATION SHOWN WAS OBTAINED FROM A LOCATION SURVEY.

VERIFIED UTILITY INFORMATION

TEST HOLE #	SIZE & TYPE	NORTHING	EASTING	TOP OF UTILITY	EXISTING CUT	REFERENCE GROUND ELEVATION	COMMENTS
78	*48" E	1841506.430	1177692.980	-8.94'	7.98'	-0.96'	SUE QUALITY LEVEL "A"
79	*48" E	1841510.920	1177755.020	-9.22'	10.16'	0.94'	SUE QUALITY LEVEL "A"
80	SEE NOTE E	1841493.150	1177753.350	—	7.88'	1.00'	CLEARANCE DEPTH ONLY
81	SEE NOTE E	1852793.298	1177394.984	-11.95'	4.69'	-7.26'	SUE QUALITY LEVEL "A"
82	*48" E	1863234.932	1175653.520	-0.86'	7.66'	6.80'	SUE QUALITY LEVEL "A"
83	*48" E	1863235.070	1175661.514	-1.64'	5.94'	4.31'	SUE QUALITY LEVEL "A"
84	36" W	1839944.740	1178217.900	-5.13'	2.96'	-2.17'	SUE QUALITY LEVEL "A"
85	36" W	1839889.120	1178193.100	-13.96'	8.61'	-5.35'	SUE QUALITY LEVEL "A"
86	36" W	1839415.910	1178025.040	-1.59'	3.05'	1.46'	SUE QUALITY LEVEL "A"
87	16" UNK	1839528.800	1178066.220	-3.15'	10.03'	6.88'	
88	24" TEL	1839826.880	1178316.500	-6.59'	7.19'	0.60'	SUE QUALITY LEVEL "A"
89	SEE NOTE TEL	1839836.600	1178319.800	-5.49'	5.98'	0.49'	
90	SEE NOTE TEL	1839793.600	1178305.180	—	13.65'	0.40'	CLEARANCE DEPTH ONLY
91	24" TEL	1844059.140	1177578.380	13.58'	2.89'	16.47'	SUE QUALITY LEVEL "A"
92	36" W	1839745.710	1178145.690	-18.57'	9.32'	-9.25'	SUE QUALITY LEVEL "A"
93	24" BT	1844060.690	1177635.830	-6.44'	7.25'	0.81'	SUE QUALITY LEVEL "A"
94	24" BT	1844060.680	1177625.600	-3.42'	6.54'	3.12'	SUE QUALITY LEVEL "A"
95	16" W	1839246.750	1178863.580	-6.12'	3.82'	-2.30'	SUE QUALITY LEVEL "A"
96	SEE NOTE W	1838928.400	1178898.950	—	10.80'	-1.39'	CLEARANCE DEPTH ONLY
97	18" BT				6.12'		NOT SURVEYED
98	20" BT	1841825.960	1177936.970	6.82'	8.10'	14.92'	SUE QUALITY LEVEL "A"
99	36" W	1874261.670	1175871.220	-1.10'	3.83'	2.73'	SUE QUALITY LEVEL "A"
100	36" W	1874261.650	1175880.560	1.35'	3.90'	5.25'	SUE QUALITY LEVEL "A"
101	36" W	1874245.970	1175540.410	-2.86'	4.69'	1.83'	SUE QUALITY LEVEL "A"
102	36" W	1874245.820	1175531.730	-0.50'	4.56'	4.06'	SUE QUALITY LEVEL "A"
103	36" W	1874244.500	1175483.430	11.43'	4.34'	15.77'	SUE QUALITY LEVEL "A"
104	SEE NOTE W	1874262.410	1175925.500	13.62'	3.18'	16.80'	SUE QUALITY LEVEL "A"
105	36" W	1874245.260	1175675.910	-2.22'	2.72'	0.50'	SUE QUALITY LEVEL "A"
106	18" BT	1847350.430	1177491.230	-0.33'	8.75'	8.42'	SUE QUALITY LEVEL "A"
107	SEE NOTE BT	1847365.000	1177775.620	—	16.79'	7.85'	CLEARANCE DEPTH ONLY
108	24" BT	1844064.680	1177880.760	6.97'	9.52'	16.49'	SUE QUALITY LEVEL "A"
109	36" W	1874248.230	1175729.730	-1.93'	3.19'	1.26'	SUE QUALITY LEVEL "A"

Illinois Department of Transportation

I-90 /94 (NB & SB of Dan Ryan Expressway)
 Chicago-Cook County
 Sec No: (2122-921 PT1) R, (2021-922 PT1,2)
 Contract No. 62586, 62589, 62693, 62694, 62695
 TBE Project No.: IL09500164, 167, 168, 170, 171, 179, 180, 182, 204, 205, 206, 211, 212, 219, 221, 225, 226, 227, 228, 230, 232

DATE	BY	DESCRIPTION	DATE	BY	DESCRIPTION	DATE	BY	DESCRIPTION	DATE	BY	DESCRIPTION	DATE	BY	DESCRIPTION
6-15-05	ELC	REMOVE QL "A" FROM TH#87 & 89												



VERIFIED UTILITY LOCATIONS

QC: JHO/ELC E-9802

VERIFIED UTILITY INFORMATION

VERIFIED UTILITY INFORMATION

TEST HOLE #	SIZE & TYPE	NORTHING	EASTING	TOP OF UTILITY	EXISTING CUT	REFERENCE GROUND ELEVATION	COMMENTS
110	24" BT	1841825.430	1177895.600	-4.15'	4.72'	0.57'	SUE QUALITY LEVEL "A"
111	24" BT	1841825.960	1177908.730	1.05'	4.44'	5.49'	SUE QUALITY LEVEL "A"
112	SEE NOTE BT	1844068.060	1177841.750	—	6.79'	2.89'	CLEARANCE DEPTH ONLY
113	SEE NOTE BT	1844066.820	1177850.390	—	8.03'	5.95'	CLEARANCE DEPTH ONLY
114	24" BT	1847363.280	1177733.270	-13.55'	5.33'	-8.22'	SUE QUALITY LEVEL "A"
115	24" BT	1847363.890	1177740.570	-12.87'	7.00'	-5.87'	SUE QUALITY LEVEL "A"
116	24" BT	1847364.010	1177750.010	-13.15'	10.51'	-2.64'	SUE QUALITY LEVEL "A"
117	24" BT	1847354.070	1177540.800	-12.62'	4.98'	-7.64'	SUE QUALITY LEVEL "A"
118	24" BT	1847354.020	1177532.210	-11.52'	4.52'	-7.00'	SUE QUALITY LEVEL "A"
119	24" BT	1841818.360	1177704.030	-6.42'	4.55'	-1.87'	SUE QUALITY LEVEL "A"
120	24" BT	1841818.190	1177694.600	-5.43'	5.12'	-0.31'	SUE QUALITY LEVEL "A"
121	24" E	1844061.030	1177617.950	-1.50'	6.67'	5.17'	SUE QUALITY LEVEL "A"
122	(3) 1" E	1840742.250	1177446.860	10.93'	4.47'	15.40'	SUE QUALITY LEVEL "A"
123	(2)2.5" E	1840753.910	1177452.070	12.73'	2.88'	15.61'	SUE QUALITY LEVEL "A"
124	2" BT	1840831.420	1177479.340	13.17'	2.57'	15.74'	SUE QUALITY LEVEL "A"
125	2" E	1840820.710	1177506.720	5.90'	3.01'	8.91'	SUE QUALITY LEVEL "A"
126	2" E	1840804.920	1177597.800	0.06'	3.54'	3.60'	SUE QUALITY LEVEL "A"
127	(3) 1" E	1840788.150	1177588.790	0.28'	3.56'	3.84'	SUE QUALITY LEVEL "A"
128	2" E	1840818.210	1177530.500	0.02'	1.85'	1.87'	SUE QUALITY LEVEL "A"
129	2" E	1840816.460	1177545.960	0.42'	1.74'	2.16'	SUE QUALITY LEVEL "A"
130	SEE NOTE BT	1839700.920	1178266.540	—	10.98'	-7.69'	CLEARANCE DEPTH ONLY
131	SEE NOTE BT	1839752.990	1178287.460	—	11.56'	-8.92'	CLEARANCE DEPTH ONLY
132	18" G	1852714.050	1177342.550	0.87'	7.94'	8.81'	SUE QUALITY LEVEL "A"
133	18" G	1852719.380	1177340.460	1.09'	8.36'	9.45'	SUE QUALITY LEVEL "A"
134	8" G	1847348.900	1177540.960	-13.64'	6.05'	-7.59'	SUE QUALITY LEVEL "A"
135	8" G	1847348.540	1177532.100	-11.04'	4.42'	-6.62'	SUE QUALITY LEVEL "A"
136	8" G	1847347.120	1177490.770	1.16'	7.28'	8.44'	SUE QUALITY LEVEL "A"
137	18" G	1852715.850	1177387.130	-13.52'	7.22'	-6.30'	SUE QUALITY LEVEL "A"
138	18" G	1852720.360	1177378.410	-11.64'	7.05'	-4.59'	SUE QUALITY LEVEL "A"
139	18" G	1852715.890	1177378.870	-10.80'	6.30'	-4.50'	SUE QUALITY LEVEL "A"
140	18" G	1852720.130	1177387.470	-13.53'	7.46'	-6.07'	SUE QUALITY LEVEL "A"

TEST HOLE #	SIZE & TYPE	NORTHING	EASTING	TOP OF UTILITY	EXISTING CUT	REFERENCE GROUND ELEVATION	COMMENTS
141	8" G	1847360.470	1177779.600	3.77'	4.76'	8.53'	SUE QUALITY LEVEL "A"
142	18" G	1852731.450	1177624.740	-0.09'	9.49'	9.40'	SUE QUALITY LEVEL "A"
143	18" G	1852724.450	1177627.310	-1.19'	10.92'	9.73'	SUE QUALITY LEVEL "A"
144	34" BT	1853977.420	1177596.570	1.18'	8.13'	9.31'	SUE QUALITY LEVEL "A"
145	18" G	1852725.400	1177579.740	-14.03'	6.32'	-7.71'	SUE QUALITY LEVEL "A"
146	18" G	1852729.670	1177579.630	-14.36'	6.93'	-7.43'	SUE QUALITY LEVEL "A"
147	18" G	1852729.620	1177588.130	-12.06'	7.15'	-4.91'	SUE QUALITY LEVEL "A"
148	18" G	1852725.710	1177589.950	-11.85'	7.38'	-4.47'	SUE QUALITY LEVEL "A"
149	8" G	1847359.120	1177733.980	-13.27'	4.96'	-8.31'	SUE QUALITY LEVEL "A"
150	8" G	1847359.090	1177742.040	-10.62'	5.02'	-5.60'	SUE QUALITY LEVEL "A"
151	34" BT	1853976.090	1177565.940	-2.85'	4.64'	1.79'	SUE QUALITY LEVEL "A"
152	34" BT	1853965.300	1177212.750	1.75'	6.56'	8.31'	SUE QUALITY LEVEL "A"
153	34" BT	1853967.560	1177268.590	-5.31'	4.54'	-0.77'	SUE QUALITY LEVEL "A"
154	34" BT	1853974.820	1177507.770	-7.53'	5.75'	-1.78'	SUE QUALITY LEVEL "A"
155	34" BT	1853976.540	1177529.050	-4.24'	5.72'	1.48'	SUE QUALITY LEVEL "A"
156	34" BT	1853967.230	1177304.800	-5.16'	4.11'	-1.05'	SUE QUALITY LEVEL "A"
157	30" G	1839844.630	1178297.170	-11.94'	11.58'	-0.36'	SUE QUALITY LEVEL "A"
158	30" G	1839771.030	1178274.550	-15.29'	6.58'	-8.71'	SUE QUALITY LEVEL "A"
159	30" G	1839779.300	1178277.090	-15.12'	6.55'	-8.57'	SUE QUALITY LEVEL "A"
160	NA G	1839815.630	1178285.320	—	7.00'	-7.56'	CLEARANCE ONLY
161	30" G	1839683.380	1178240.910	-8.79'	10.86'	-19.65'	SUE QUALITY LEVEL "A"
162	NA G	1839720.200	1178252.850	—	7.00'	-14.44'	CLEARANCE ONLY
163	30" G	1839633.400	1178223.490	-10.63'	6.14'	-16.77'	SUE QUALITY LEVEL "A"
164	30" G	1839624.490	1178220.270	-10.23'	6.61'	-16.84'	SUE QUALITY LEVEL "A"

TBE Project Information

TH#112 Utility not exposed, clearance depth of 6.79'.
 TH#113 Utility not exposed, clearance depth of 8.03'.
 TH#130 Utility not exposed, clearance depth of 10.98'.
 TH#131 Utility not exposed, clearance depth of 11.56'.
 TH#136 Unable to expose utility due to hard clay, probed and felt top and side of utility.
 TH#145 & 146 Unable to expose utility due to water table at 3' +/-, but were able to feel the sides and top.
 TH#160 & 162 Unable to expose utility due to hard clay, clearance of 7' given.
 TH#161 Unable to expose utility due to water, but did feel the pipe.
 TH#163 & 164 Unable to expose utility due to water, but did feel top and sides of 30" pipe.

ALL INFORMATION SHOWN WAS OBTAINED FROM A LOCATION SURVEY.

Illinois Department of Transportation

I-90 /94 (NB & SB of Dan Ryan Expressway)
 Chicago-Cook County
 Sec No: (2122-921 PT1) R, (2021-922 PT1,2)
 Contract No. 62586, 62589, 62693, 62694, 62695
 TBE Project No.: IL09500164, 167, 168, 170, 171, 179, 180, 182, 204, 205, 206, 211, 212, 219, 221, 225, 226, 227, 228, 230, 232

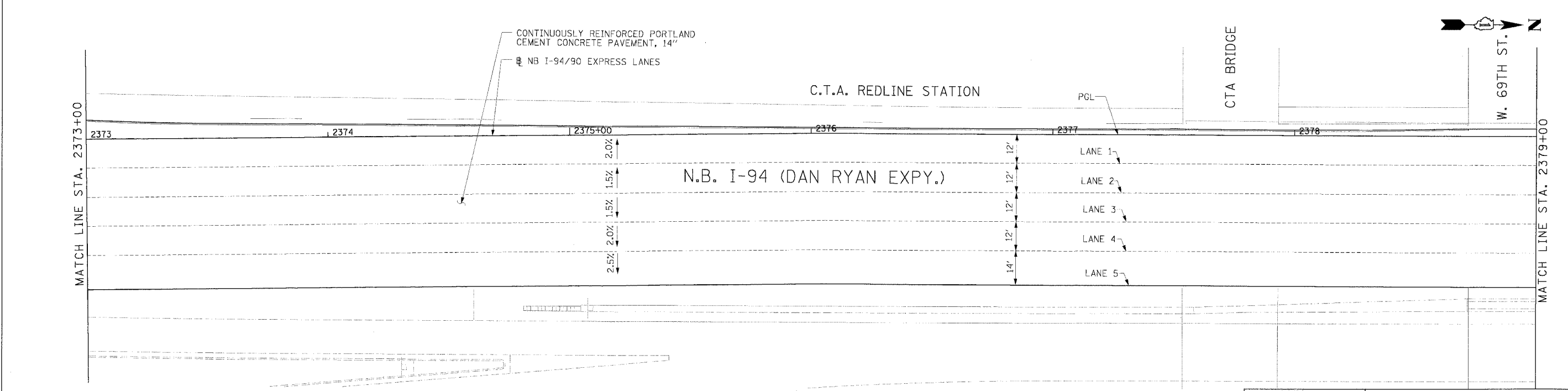
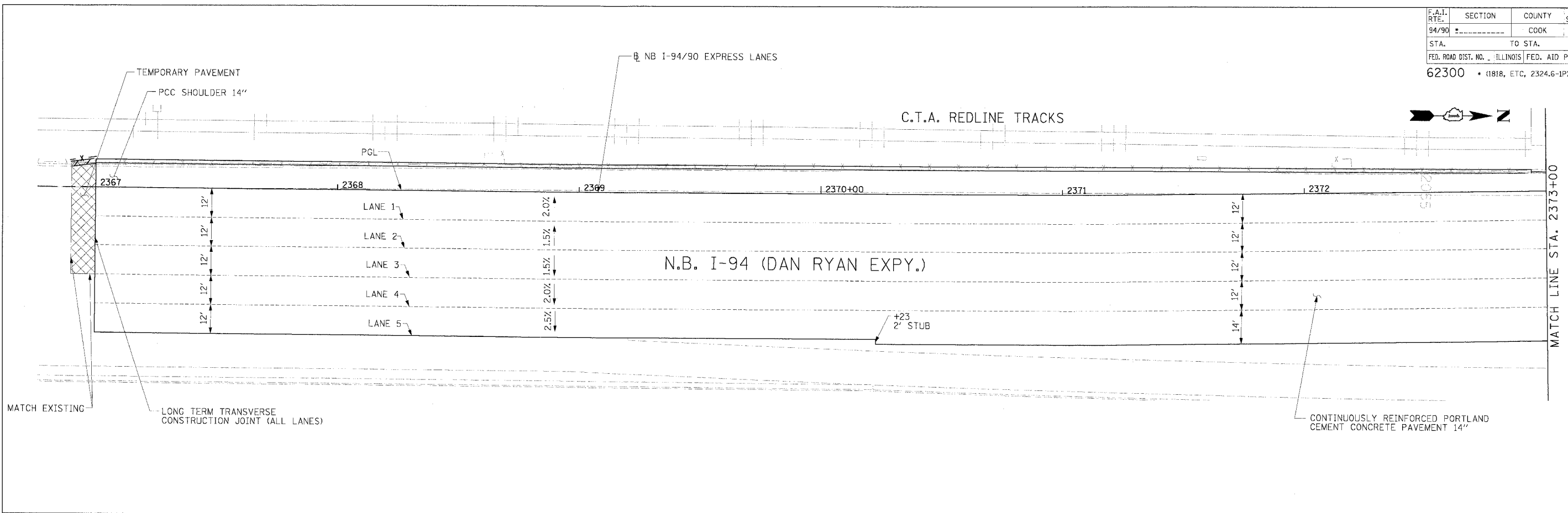
REVISIONS											
DATE	BY	DESCRIPTION	DATE	BY	DESCRIPTION	DATE	BY	DESCRIPTION	DATE	BY	DESCRIPTION
6-15-05	ELC	REMOVE QL "A" FROM TH#136, 146, 161, 163 & 164. REMOVED TOP OF UTILITY FROM TH#160 & 162									

QC: JMO June 2 2002



VERIFIED UTILITY LOCATIONS

F.A.I. SECTION	COUNTY	TOTAL SHEETS	SHEET NO.
94/90	COOK	556	244
STA. TO STA.		FED. ROAD DIST. NO. ILLINOIS FED. AID PROJECT	
		62300 • 11818, ETC, 2324.6-1P1R-8	



Edwards AND Kelcey
 ONE NORTH FRANKLIN
 CHICAGO, IL 60606
 PHONE: (312) 251-3000
 FAX: (312) 251-3015
 WEB: WWW.EKCORP.COM

LEGEND
 ### ELEVATION STATIONED OFF OF SB I-94/90 EXPRESS LANES
 (###) ELEVATION STATIONED OFF OF SB I-94/90 LOCAL LANES
 [###] ELEVATION STATIONED OFF OF SLIP RAMP ALIGNMENT

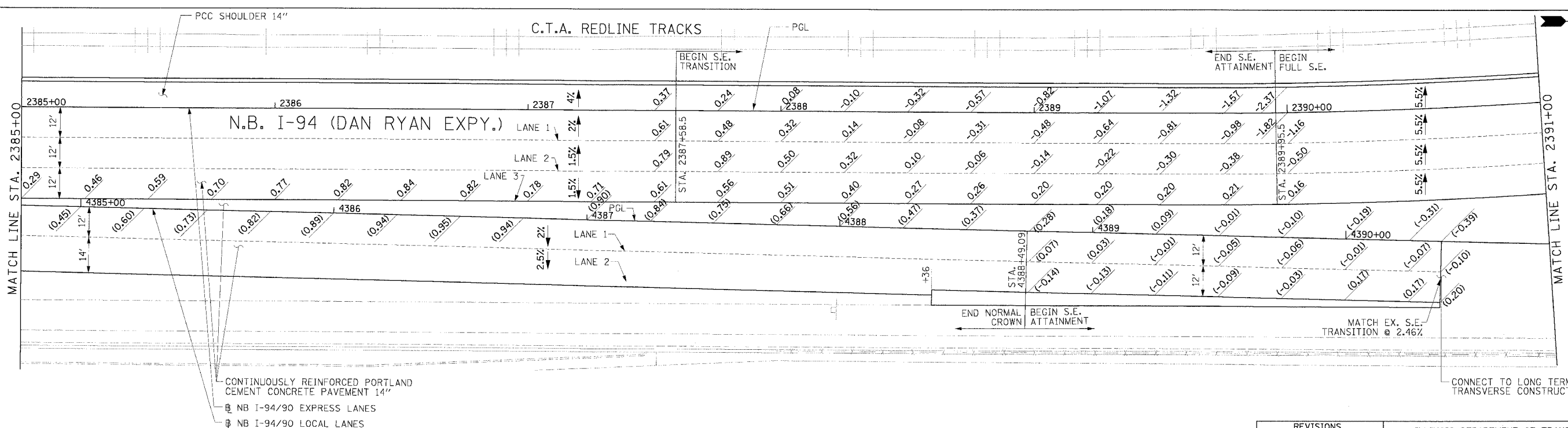
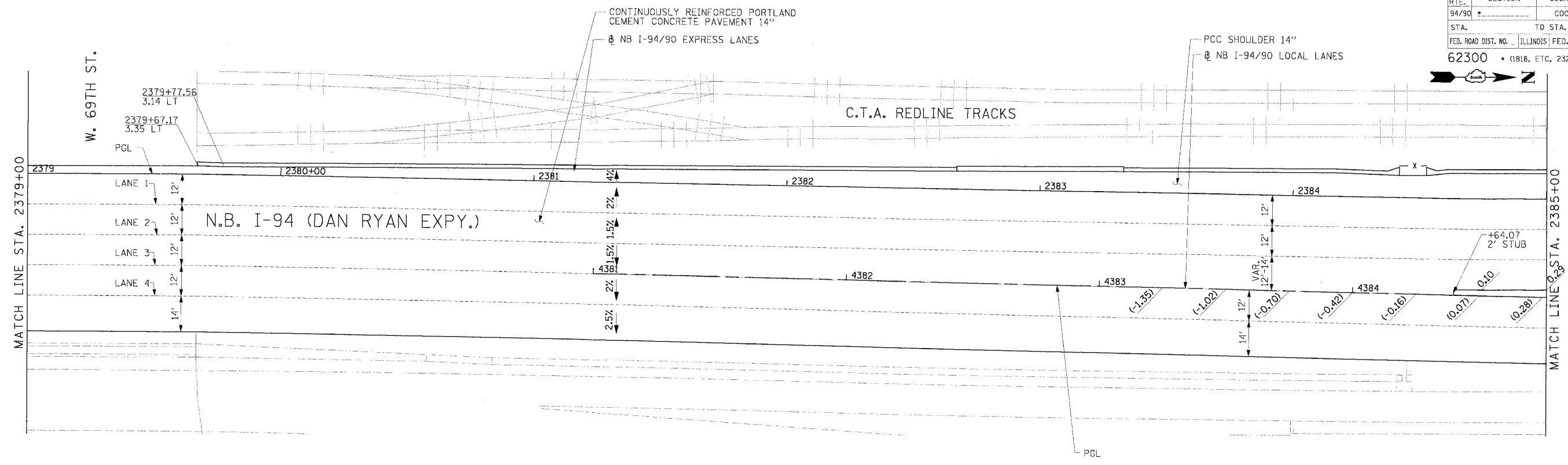
NOTE:
 1. PAVEMENT ELEVATIONS ALONG RAMPS, GORES AND IN AREAS OF SUPERELEVATION TRANSITION ARE PROVIDED AT 25' INTERVALS. FOR ALL OTHER ELEVATIONS, REFER TO PROFILE AND TYPICAL SECTIONS.

REVISIONS	
NAME	DATE

ILLINOIS DEPARTMENT OF TRANSPORTATION
 F.A.I. 94/90 (DAN RYAN EXPRESSWAY)
 31ST STREET TO 71ST STREET
 NB EXPRESS LANE RECONSTRUCTION
 PAVEMENT JOINTING AND ELEVATION PLAN
 NORTHBOUND STA. 2367+00 TO STA. 2379+00
 SCALE: 1" = 20'
 0' 10' 20' 30' 40'
 DATE: 7/7/05
 DRAWN BY: TAI
 CHECKED BY: PJM

06/24/2005 12:50:01 PM
 P:\030019\035\Con\448\5\ACAD\DRAWING\407020.dwg

F.A.I. SECTION	COUNTY	TOTAL SHEETS	SHEET NO.
94/90	COOK	556	245
STA. TO STA.	ILLINOIS FED. AID PROJECT		
62300	181B, ETC, 2324.6-1P/R-8		



Edwards AND Kelcey
 ONE NORTH FRANKLIN
 CHICAGO, IL 60606
 PHONE: (312) 251-3000
 FAX: (312) 251-3015
 WEB: WWW.EKCORP.COM

LEGEND
 [ELEVATION] ELEVATION STATIONED OFF OF SB I-94/90 EXPRESS LANES
 [ELEVATION] ELEVATION STATIONED OFF OF SB I-94/90 LOCAL LANES
 [ELEVATION] ELEVATION STATIONED OFF OF SLIP RAMP ALIGNMENT

NOTE:
 1. PAVEMENT ELEVATIONS ALONG RAMPS, GORES AND IN AREAS OF SUPERELEVATION TRANSITION ARE PROVIDED AT 25' INTERVALS. FOR ALL OTHER ELEVATIONS, REFER TO PROFILE AND TYPICAL SECTIONS.

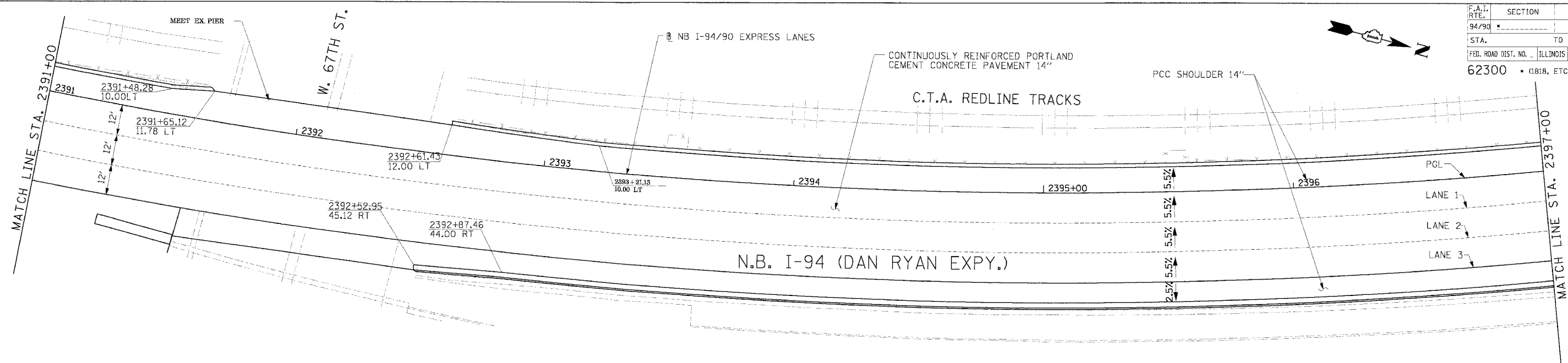
REVISIONS	
NAME	DATE

ILLINOIS DEPARTMENT OF TRANSPORTATION
 F.A.I. 94/90 (DAN RYAN EXPRESSWAY)
 31ST STREET TO 71ST STREET
 NB EXPRESS LANE RECONSTRUCTION
 PAVEMENT JOINING AND ELEVATION PLAN
 NORTHBOUND STA. 2379+00 TO STA. 2391+00
 SCALE: 0' 10' 20' 30' 40'
 DATE: 7/7/05
 DRAWN BY: TAI
 CHECKED BY: PJM

JT-2

06/24/2005 10:50:47 PM

F.A.I. RTE.	SECTION	COUNTY	TOTAL SHEETS	SHEET NO.
94/90		COOK	556	246
STA.	TO STA.			
FED. ROAD DIST. NO.	ILLINOIS	FED. AID PROJECT		
62300	(181B, ETC. 2324.6-1P/R-8			

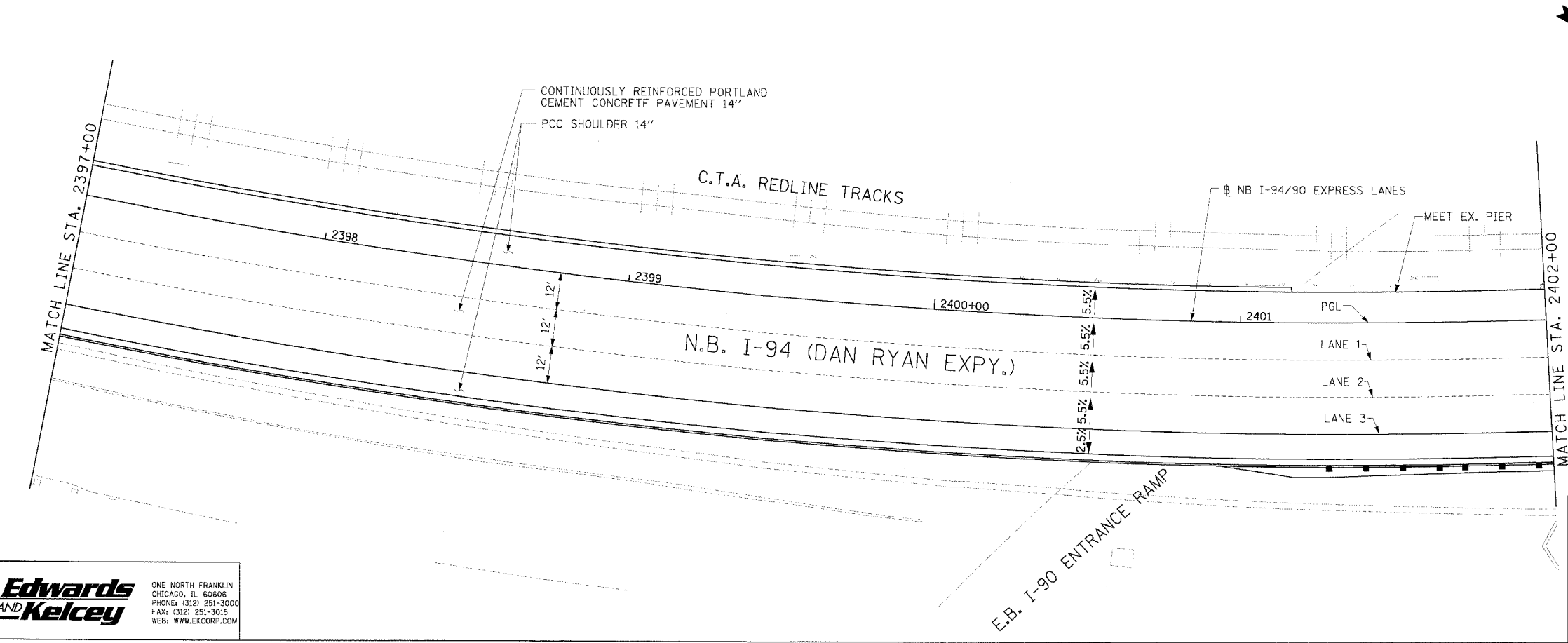


LEGEND

- ### ELEVATION STATIONED OFF OF NB I-94/90 EXPRESS LANES
- (###) ELEVATION STATIONED OFF OF SB I-94/90 LOCAL LANES
- [###] ELEVATION STATIONED OFF OF SLIP RAMP ALIGNMENT

NOTE:

1. PAVEMENT ELEVATIONS ALONG RAMPS, GORES AND IN AREAS OF SUPERELEVATION TRANSITION ARE PROVIDED AT 25' INTERVALS. FOR ALL OTHER ELEVATIONS, REFER TO PROFILE AND TYPICAL SECTIONS.



REVISIONS	
NAME	DATE

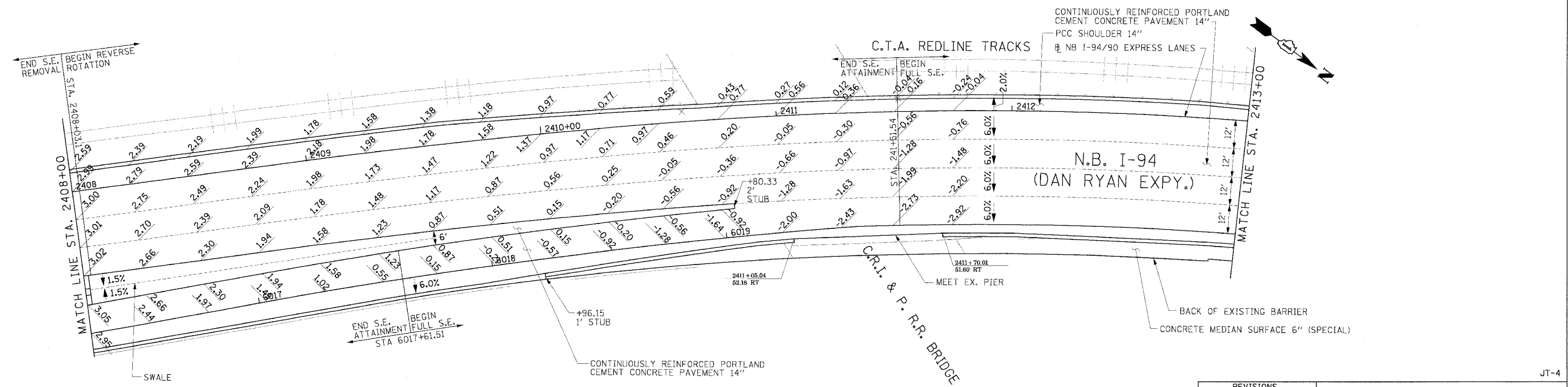
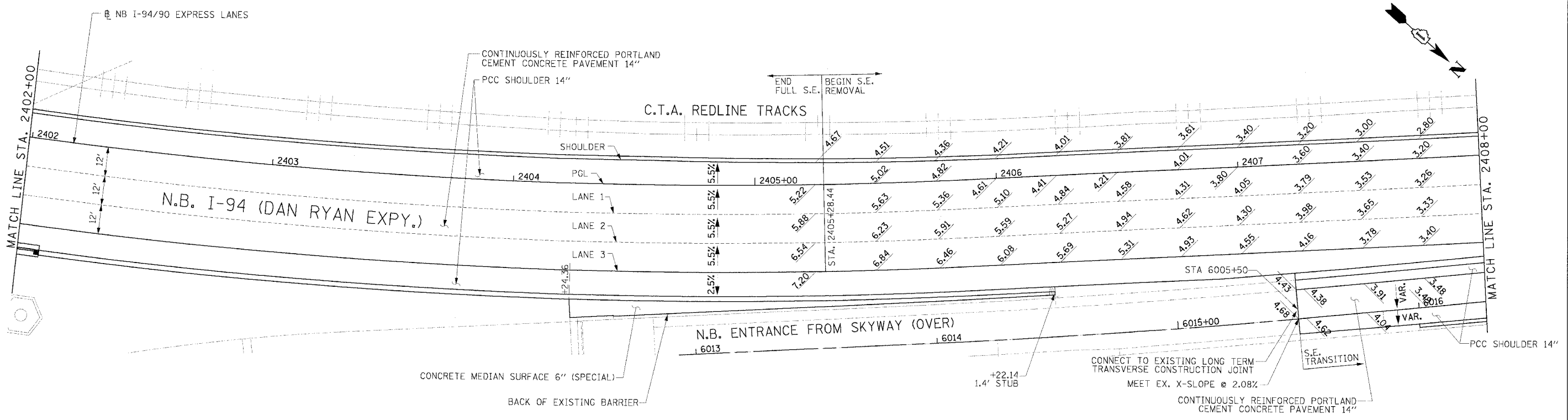
ILLINOIS DEPARTMENT OF TRANSPORTATION
 F.A.I. 94/90 (DAN RYAN EXPRESSWAY)
 31ST STREET TO 71ST STREET
 NB EXPRESS LANE RECONSTRUCTION
 PAVEMENT JOINTING AND ELEVATION PLAN
 NORTHBOUND STA. 2391+00 TO STA. 2402+00

SCALE: 0' 10' 20' 30' 40'
 DATE: 7/1/05
 DRAWN BY: TAI
 CHECKED BY: PJM

Edwards AND Kelcey
 ONE NORTH FRANKLIN
 CHICAGO, IL 60606
 PHONE: (312) 251-3000
 FAX: (312) 251-3015
 WEB: WWW.EDKORP.COM

JT-3
 06/24/2005 12:51:20 PM

F.A.I. RTE.	SECTION	COUNTY	TOTAL SHEETS	SHEET NO.
94/90		COOK	556	247
STA.	TO STA.			
FED. ROAD DIST. NO.	ILLINOIS	FED. AID PROJECT		
62300	11818, ETC, 2324.6-1P1R-8			



Edwards AND Kelcey
 ONE NORTH FRANKLIN
 CHICAGO, IL 60606
 PHONE: (312) 251-3000
 FAX: (312) 251-3015
 WEB: WWW.EDWARDSKELCEY.COM

LEGEND
 [***] ELEVATION STATIONED OFF OF NB I-94/90 EXPRESS LANES
 [**]** ELEVATION STATIONED OFF OF SB I-94/90 LOCAL LANES
 [***] ELEVATION STATIONED OFF OF SLIP RAMP ALIGNMENT

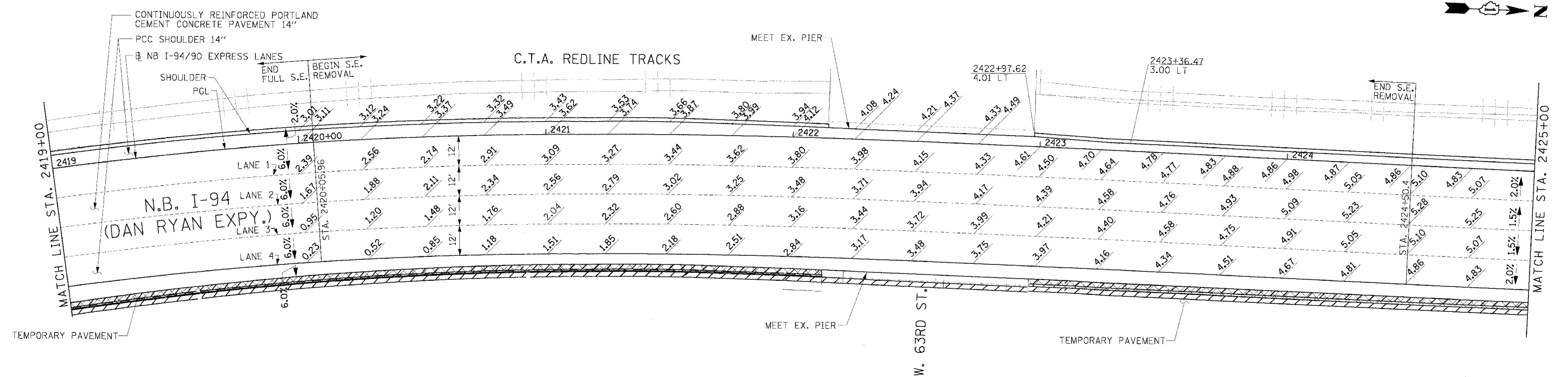
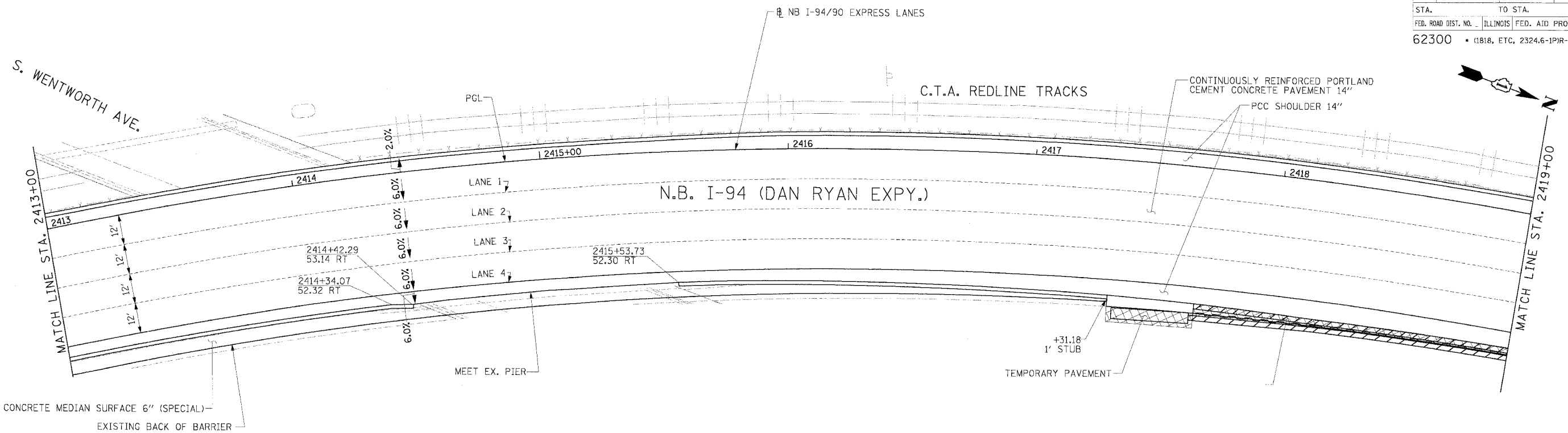
NOTE:
 1. PAVEMENT ELEVATIONS ALONG RAMPS, GORES AND IN AREAS OF SUPERELEVATION TRANSITION ARE PROVIDED AT 25' INTERVALS. FOR ALL OTHER ELEVATIONS, REFER TO PROFILE AND TYPICAL SECTIONS.

REVISIONS	
NAME	DATE

ILLINOIS DEPARTMENT OF TRANSPORTATION
 F.A.I. 94/90 (DAN RYAN EXPRESSWAY)
 31ST STREET TO 71ST STREET
 NB EXPRESS LANE RECONSTRUCTION
 PAVEMENT JOINING AND ELEVATION PLAN
 NORTHBOUND STA. 2402+00 TO STA. 2413+00
 SCALE: 0' 10' 20' 30' 40'
 DATE: 7/7/05
 DRAWN BY: TAI
 CHECKED BY: PJM

JT-4
 06/24/2005 12:56:33 PM

F.A.I. RT.	SECTION	COUNTY	TOTAL SHEETS	SHEET NO.
94/90		COOK	556	248
STA.	TO STA.			
FED. ROAD DIST. NO.	ILLINOIS	FED. AID PROJECT		
62300	11818, ETC, 2324.6-1P1R-8			



Edwards AND Kelcey
 ONE NORTH FRANKLIN
 CHICAGO, IL 60606
 PHONE: (312) 251-3000
 FAX: (312) 251-3015
 WEB: WWW.EKCORP.COM

LEGEND
 [###] ELEVATION STATIONED OFF OF NB I-94/90 EXPRESS LANES
 [####] ELEVATION STATIONED OFF OF SB I-94/90 LOCAL LANES
 [#####] ELEVATION STATIONED OFF OF SLIP RAMP ALIGNMENT

NOTE:
 1. PAVEMENT ELEVATIONS ALONG RAMPS, CORES AND IN AREAS OF SUPERELEVATION TRANSITION ARE PROVIDED AT 25' INTERVALS. FOR ALL OTHER ELEVATIONS, REFER TO PROFILE AND TYPICAL SECTIONS.

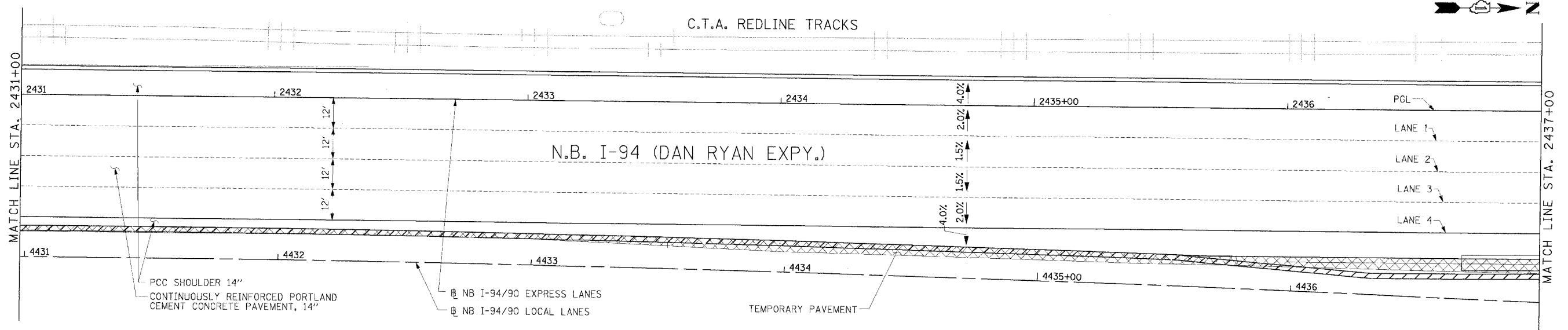
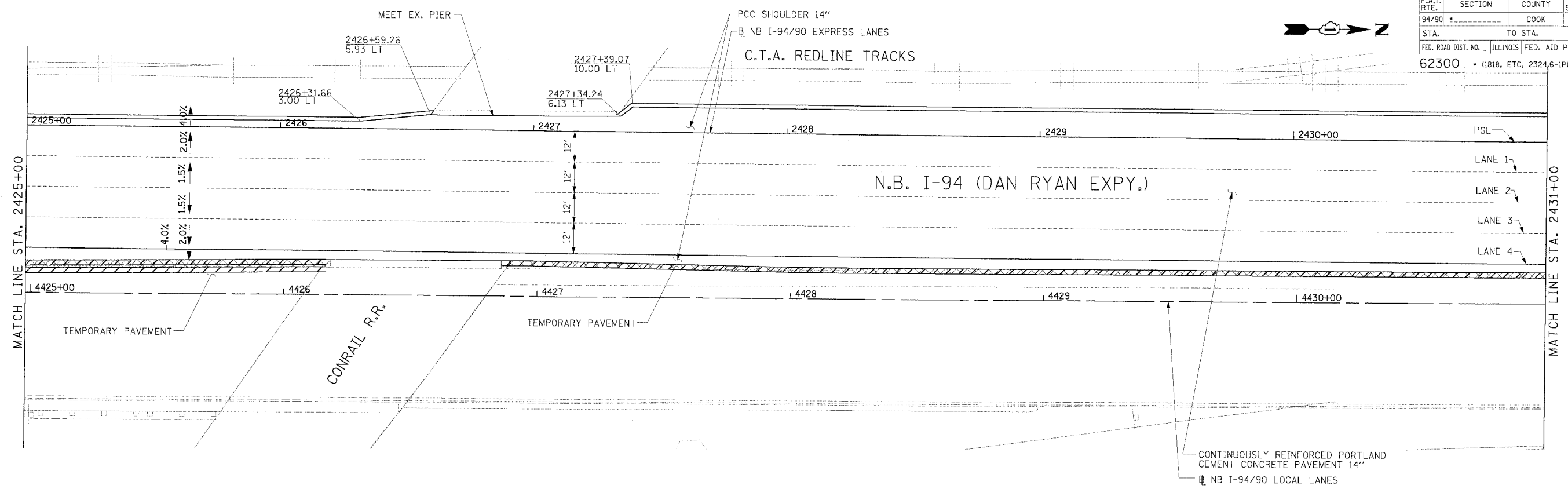
REVISIONS	
NAME	DATE

ILLINOIS DEPARTMENT OF TRANSPORTATION
 F.A.I. 94/90 (DAN RYAN EXPRESSWAY)
 31ST STREET TO 71ST STREET
 NB EXPRESS LANE RECONSTRUCTION
 PAVEMENT JOINTING AND ELEVATION PLAN
 NORTHBOUND STA. 2413+00 TO STA. 2425+00
 SCALE: 0' 10' 20' 30' 40'
 DATE: 7/7/05
 DRAWN BY: TAI
 CHECKED BY: PJM

JT-5

06/24/2005 12:52:22 PM

F.A.I. RTE.	SECTION	COUNTY	TOTAL SHEETS	SHEET NO.
94/90		COOK	556	249
STA.	TO STA.			
62300	1818, ETC, 2324.6-1PR-8			



LEGEND

###	ELEVATION STATIONED OFF OF SB I-94/90 EXPRESS LANES
(#.#)	ELEVATION STATIONED OFF OF SB I-94/90 LOCAL LANES
[#.#]	ELEVATION STATIONED OFF OF SLIP RAMP ALIGNMENT

NOTE:
 1. PAVEMENT ELEVATIONS ALONG RAMPS, GORES AND IN AREAS OF SUPERELEVATION TRANSITION ARE PROVIDED AT 25' INTERVALS. FOR ALL OTHER ELEVATIONS, REFER TO PROFILE AND TYPICAL SECTIONS.

REVISIONS	
NAME	DATE

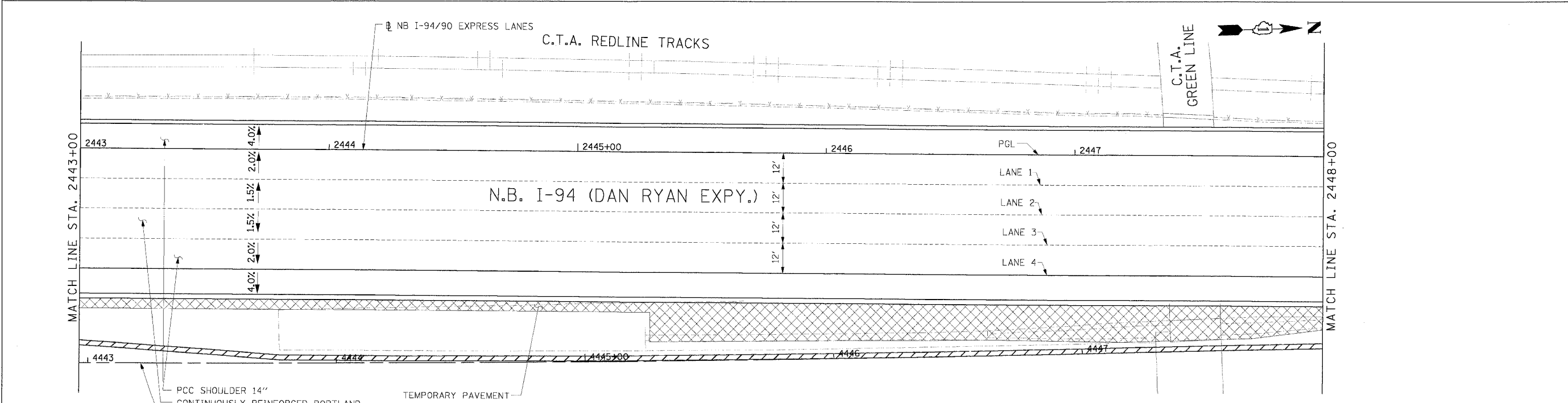
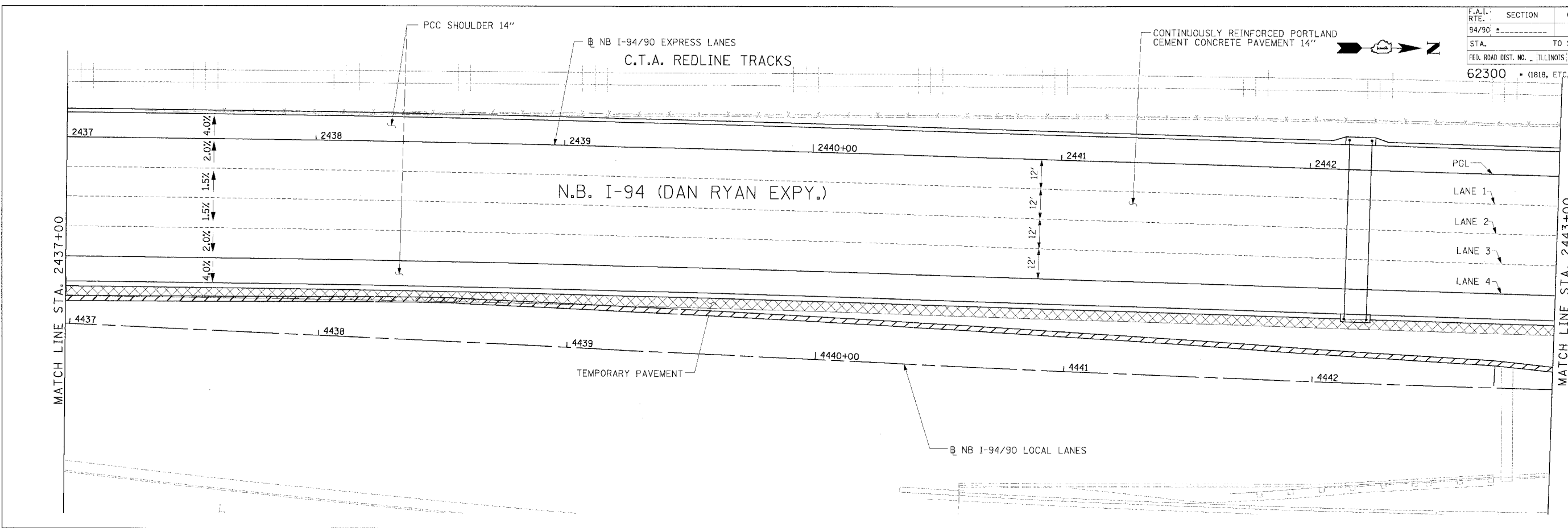
ILLINOIS DEPARTMENT OF TRANSPORTATION
 F.A.I. 94/90 (DAN RYAN EXPRESSWAY)
 31ST STREET TO 71ST STREET
 NB EXPRESS LANE RECONSTRUCTION
 PAVEMENT JOINTING AND ELEVATION PLAN
 NORTHBOUND STA. 2425+00 TO STA. 2437+00
 SCALE: 0' 10' 20' 30' 40'
 DATE: 7/7/05
 DRAWN BY: TAI
 CHECKED BY: PJM

Edwards AND Kelcey
 ONE NORTH FRANKLIN
 CHICAGO, IL 60606
 PHONE: (312) 251-3000
 FAX: (312) 251-3015
 WEB: WWW.EDCORP.COM

JT-6

06/24/2005 12:52:53 PM

F.A.I. RTE.	SECTION	COUNTY	TOTAL SHEETS	SHEET NO.
94/90		COOK	556	250
STA.	TO STA.		FED. ROAD DIST. NO. ILLINOIS FED. AID PROJECT	
62300	(1818, ETC. 2324.6-1P1R-8			



Edwards AND Kelcey
 ONE NORTH FRANKLIN
 CHICAGO, IL 60606
 PHONE: (312) 251-3000
 FAX: (312) 251-3015
 WEB: WWW.EKCORP.COM

LEGEND

###	ELEVATION STATIONED OFF OF SB I-94/90 EXPRESS LANES
(###)	ELEVATION STATIONED OFF OF SB I-94/90 LOCAL LANES
[###]	ELEVATION STATIONED OFF OF SLIP RAMP ALIGNMENT

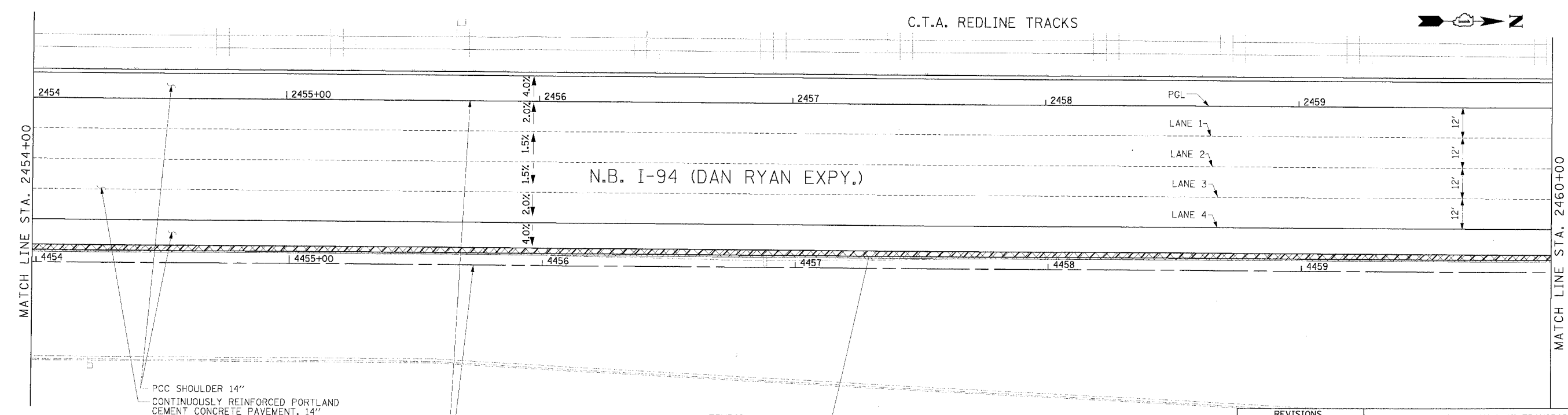
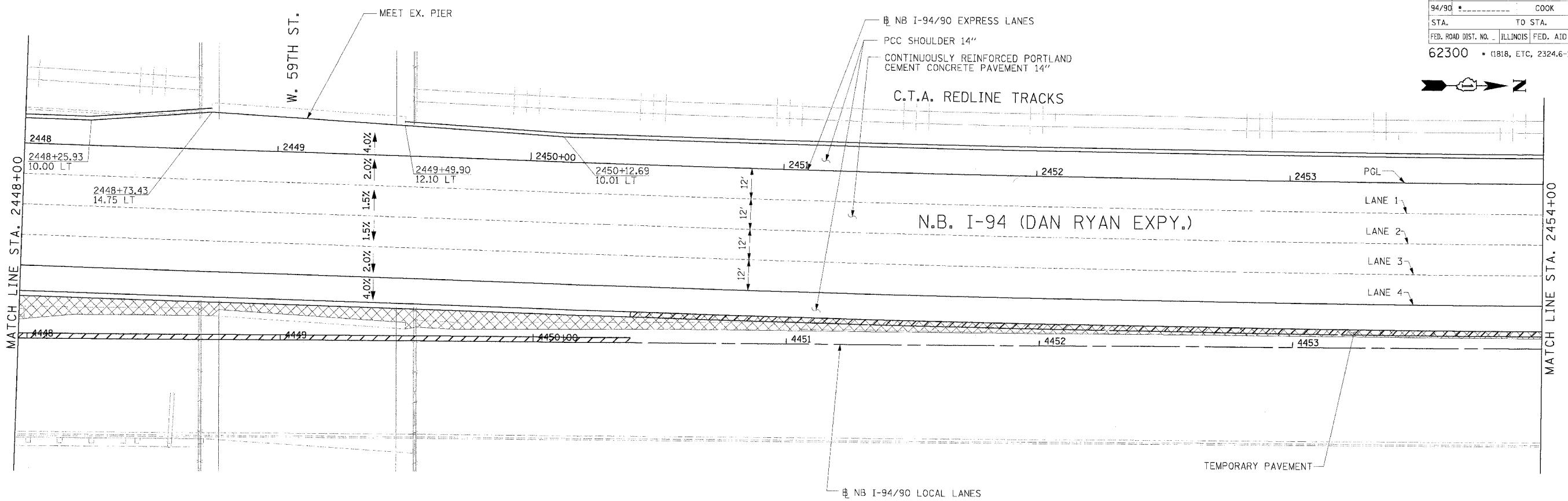
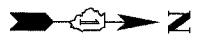
NOTE:
 1. PAVEMENT ELEVATIONS ALONG RAMPS, GORES AND IN AREAS OF SUPERELEVATION TRANSITION ARE PROVIDED AT 25' INTERVALS. FOR ALL OTHER ELEVATIONS, REFER TO PROFILE AND TYPICAL SECTIONS.

REVISIONS	
NAME	DATE

ILLINOIS DEPARTMENT OF TRANSPORTATION
 F.A.I. 94/90 (DAN RYAN EXPRESSWAY)
 31ST STREET TO 71ST STREET
 NB EXPRESS LANE RECONSTRUCTION
 PAVEMENT JOINTING AND ELEVATION PLAN
 NORTHBOUND STA. 2437+00 TO STA. 2448+00
 SCALE: 0' 10' 20' 30' 40'
 DATE: 7/7/05
 DRAWN BY: TAI
 CHECKED BY: PJM

PA0300910.05 Con 48/15 CADD/VA/1407/CS/ST
 06/27/2005 07:57:08 PM

F.A.I. RTE.	SECTION	COUNTY	TOTAL SHEETS	SHEET NO.
94/90		COOK	556	251
STA.	TO STA.			
FED. ROAD DIST. NO.	ILLINOIS	FED. AID PROJECT		
62300	11818, ETC, 2324.6-1PIR-8			



LEGEND

ELEVATION STATIONED OFF OF NB I-94/90 EXPRESS LANES
 (###) ELEVATION STATIONED OFF OF NB I-94/90 LOCAL LANES
 [###] ELEVATION STATIONED OFF OF SLIP RAMP ALIGNMENT

NOTE:
 1. PAVEMENT ELEVATIONS ALONG RAMPS, GORES AND IN AREAS OF SUPERELEVATION TRANSITION ARE PROVIDED AT 25' INTERVALS. FOR ALL OTHER ELEVATIONS, REFER TO PROFILE AND TYPICAL SECTIONS.

REVISIONS	
NAME	DATE

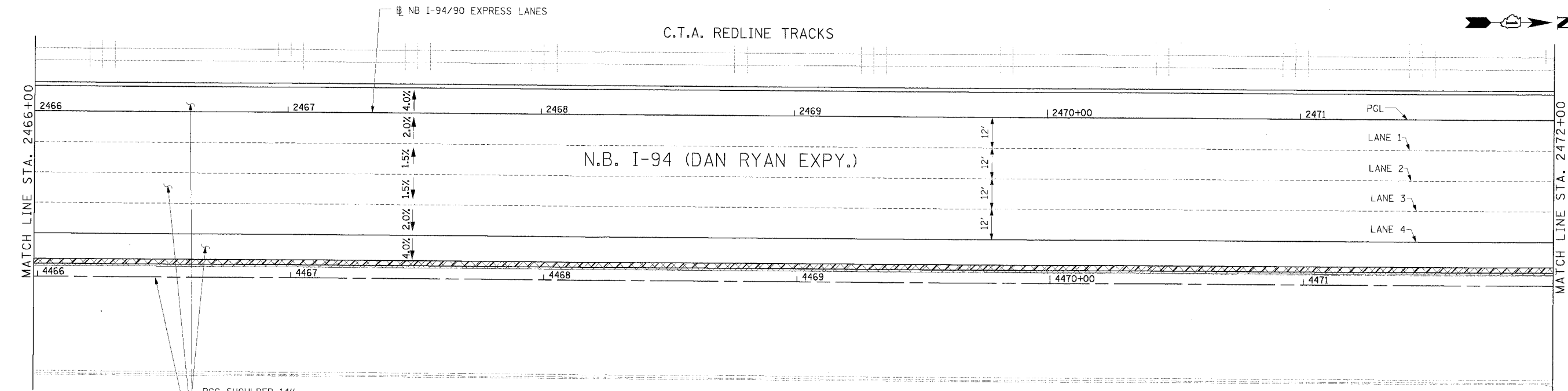
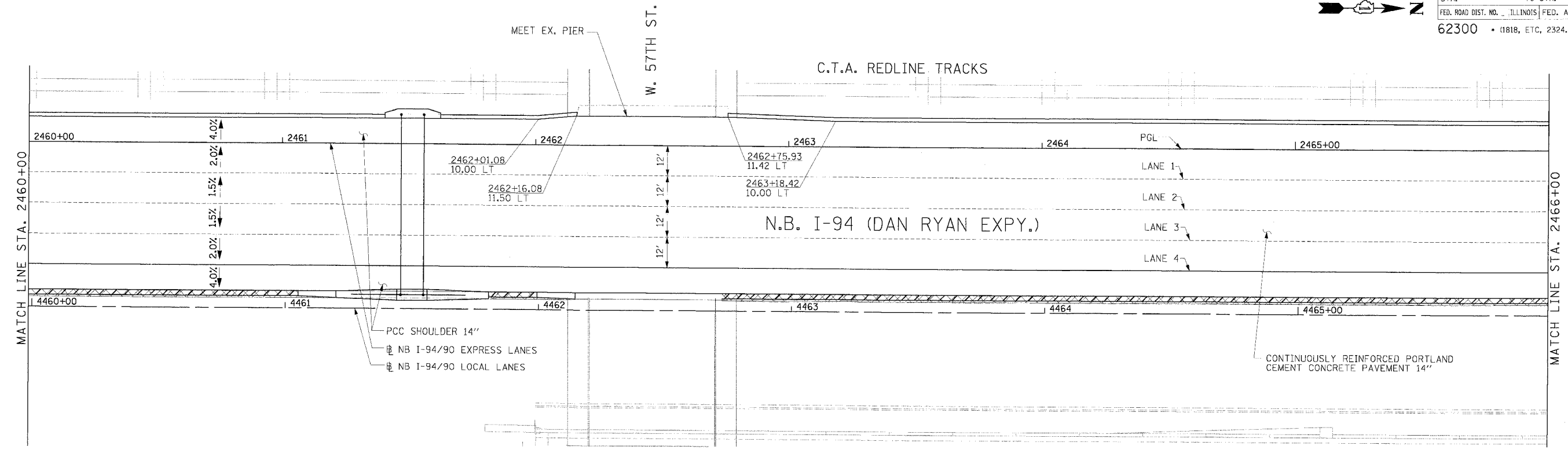
ILLINOIS DEPARTMENT OF TRANSPORTATION
 F.A.I. 94/90 (DAN RYAN EXPRESSWAY)
 31ST STREET TO 71ST STREET
 NB EXPRESS LANE RECONSTRUCTION
 PAVEMENT JOINTING AND ELEVATION PLAN
 NORTHBOUND STA. 2448+00 TO STA. 2460+00

SCALE: 0' 10' 20' 30' 40'
 DATE: 7/7/05
 DRAWN BY: TAI
 CHECKED BY: PJM

Edwards AND Kelcey
 ONE NORTH FRANKLIN
 CHICAGO, IL 60606
 PHONE: (312) 251-3000
 FAX: (312) 251-3015
 WEB: WWW.EKCORP.COM

06/27/2005 07:57:29 PM

F.A.I. RTE.	SECTION	COUNTY	TOTAL SHEETS	SHEET NO.
94/90		COOK	556	252
STA.	TO STA.			
FED. ROAD DIST. NO.	ILLINOIS	FED. AID PROJECT		
62300	11818, ETC.	2324.6-1PIR-8		



JT-9

NOTE:
 1. PAVEMENT ELEVATIONS ALONG RAMPS, GORES AND IN AREAS OF SUPERELEVATION TRANSITION ARE PROVIDED AT 25' INTERVALS. FOR ALL OTHER ELEVATIONS, REFER TO PROFILE AND TYPICAL SECTIONS.

REVISIONS	
NAME	DATE

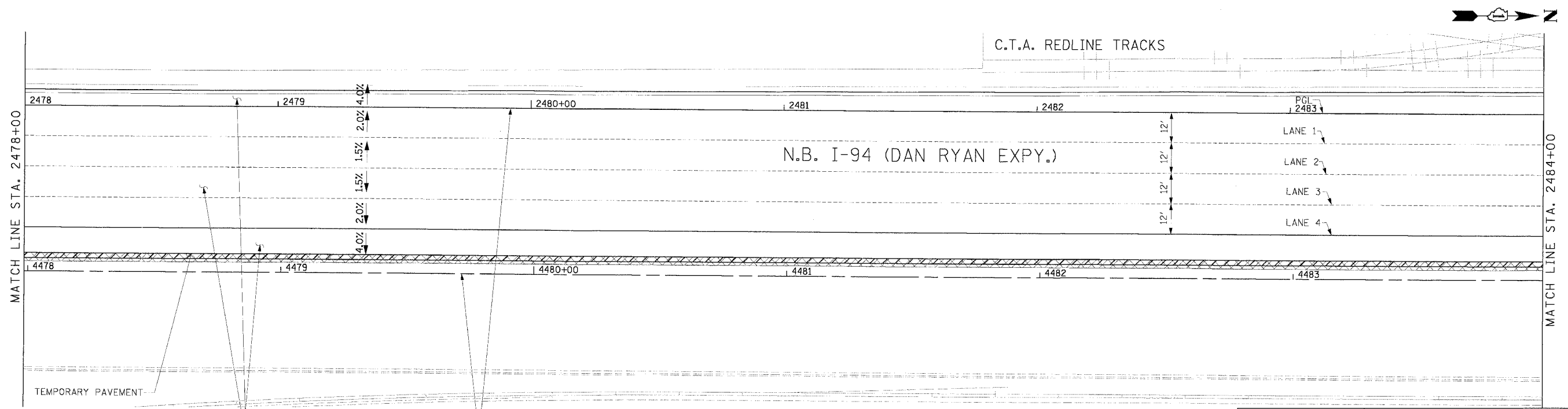
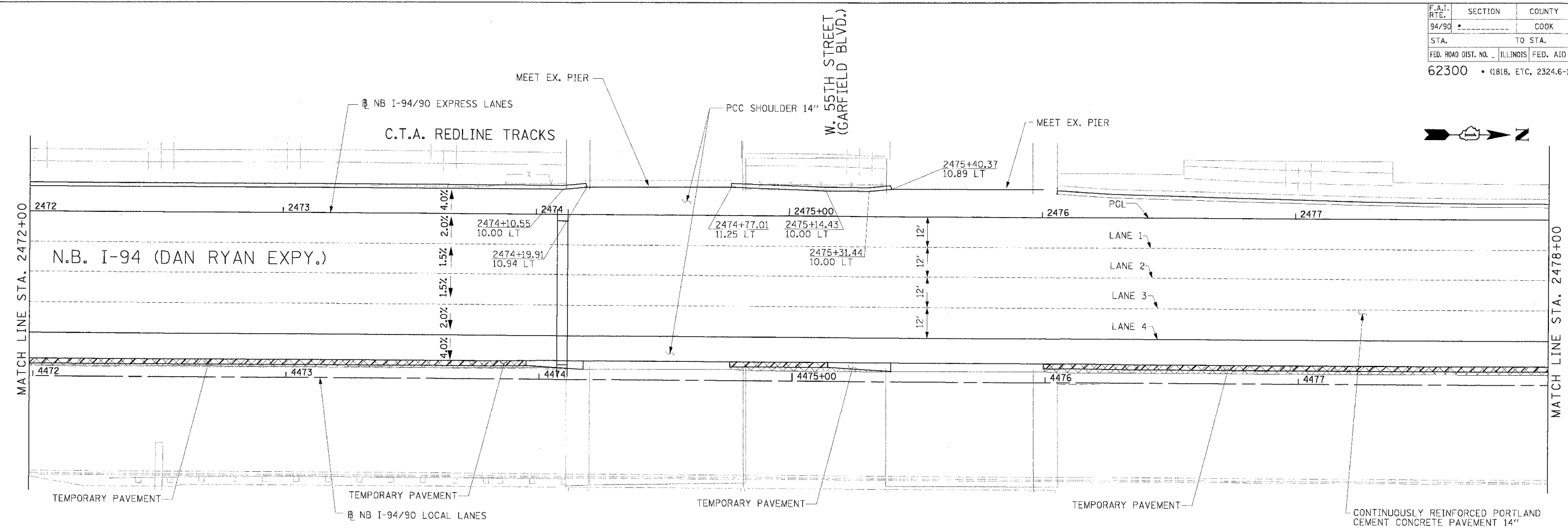
ILLINOIS DEPARTMENT OF TRANSPORTATION
 F.A.I. 94/90 (DAN RYAN EXPRESSWAY)
 31ST STREET TO 71ST STREET
 NB EXPRESS LANE RECONSTRUCTION
 PAVEMENT JOINTING AND ELEVATION PLAN
 NORTHBOUND STA. 2460+00 TO STA. 2472+00
 SCALE: 0' 10' 20' 30' 40'
 DATE: 7/1/05 DRAWN BY: TAI
 CHECKED BY: PJM

Edwards AND Kelcey
 ONE NORTH FRANKLIN
 CHICAGO, IL 60606
 PHONE: (312) 251-3000
 FAX: (312) 251-3015
 WEB: WWW.EDKCORP.COM

LEGEND
 [###] ELEVATION STATIONED OFF OF NB I-94/90 EXPRESS LANES
 [##.##] ELEVATION STATIONED OFF OF NB I-94/90 LOCAL LANES
 [.#.##] ELEVATION STATIONED OFF OF SLIP RAMP ALIGNMENT

06/24/2005 12:54:26 PM

F.A.I. RTE.	SECTION	COUNTY	TOTAL SHEETS	SHEET NO.
94/90		COOK	556	253
STA.	TO STA.			
FED. ROAD DIST. NO.	ILLINOIS	FED. AID PROJECT		
62300	(1818, ETC, 2324.6-1PIR-8			



P.C.C. SHOULDER 14"
 CONTINUOUSLY REINFORCED PORTLAND CEMENT CONCRETE PAVEMENT, 14"
 NB I-94/90 EXPRESS LANES
 NB I-94/90 LOCAL LANES

NOTE:
 1. PAVEMENT ELEVATIONS ALONG RAMPS, CORES AND IN AREAS OF SUPERELEVATION TRANSITION ARE PROVIDED AT 25' INTERVALS. FOR ALL OTHER ELEVATIONS, REFER TO PROFILE AND TYPICAL SECTIONS.

LEGEND
 [###] ELEVATION STATIONED OFF OF NB I-94/90 EXPRESS LANES
 [##.##] ELEVATION STATIONED OFF OF NB I-94/90 LOCAL LANES
 [#.##] ELEVATION STATIONED OFF OF SLIP RAMP ALIGNMENT

Edwards AND Kelcey
 ONE NORTH FRANKLIN
 CHICAGO, IL 60606
 PHONE: (312) 251-3000
 FAX: (312) 251-3015
 WEB: WWW.EDWARDSKELCEY.COM

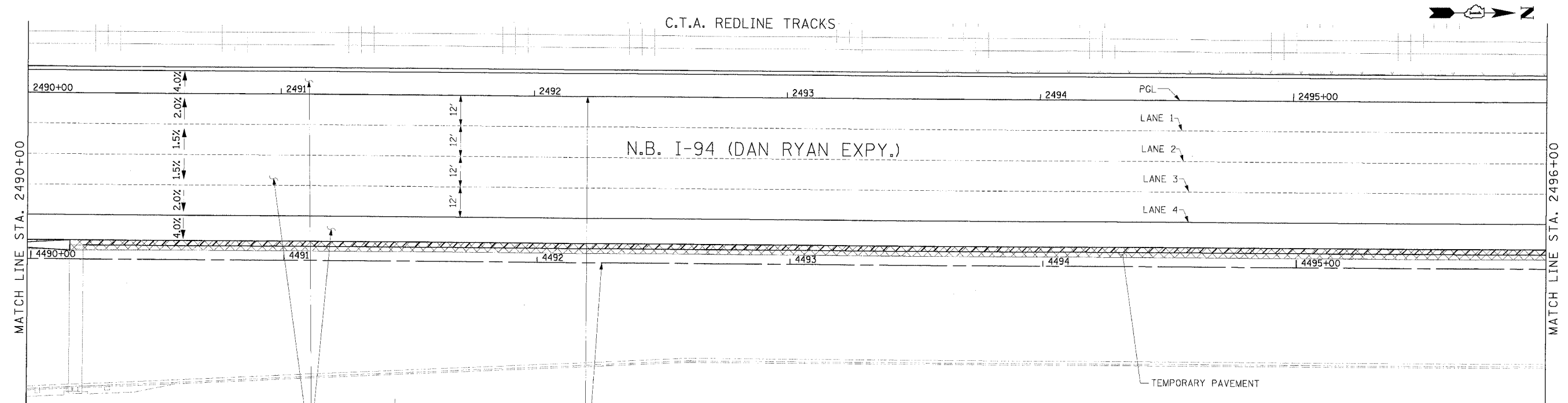
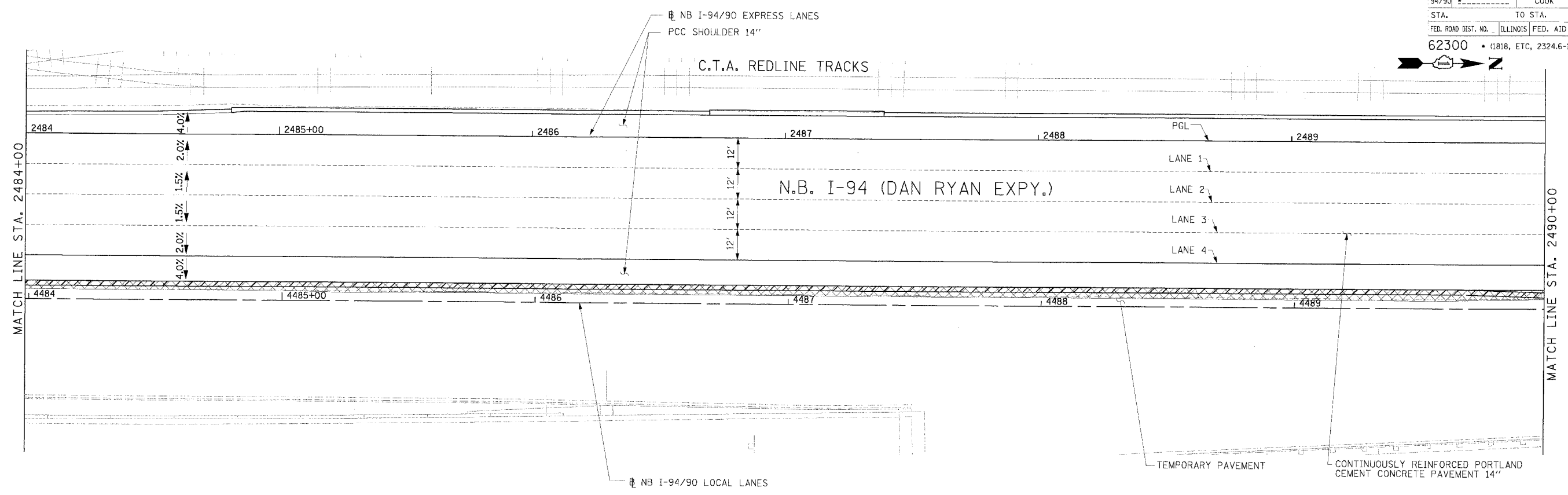
REVISIONS	
NAME	DATE

ILLINOIS DEPARTMENT OF TRANSPORTATION
 F.A.I. 94/90 (DAN RYAN EXPRESSWAY)
 31ST STREET TO 71ST STREET
 NB EXPRESS LANE RECONSTRUCTION
 PAVEMENT JOINTING AND ELEVATION PLAN
 NORTHBOUND STA. 2472+00 TO STA. 2484+00
 SCALE: 0' 10' 20' 30' 40'
 DATE: 7/7/05
 DRAWN BY: TAI
 CHECKED BY: PJM

JT-10

06/24/2005 12:05:02 PM

F.A.I. RTE.	SECTION	COUNTY	TOTAL SHEETS	SHEET NO.
94/90		COOK	556	254
STA.	TO STA.			
	ILLINOIS FED. AID PROJECT			
62300 • (1818, ETC, 2324.6-1PIR-8				



LEGEND

- ### ELEVATION STATIONED OFF OF SB I-94/90 EXPRESS LANES
- {##} ELEVATION STATIONED OFF OF SB I-94/90 LOCAL LANES
- [##] ELEVATION STATIONED OFF OF SLIP RAMP ALIGNMENT

NOTE:

1. PAVEMENT ELEVATIONS ALONG RAMPS, GORES AND IN AREAS OF SUPERELEVATION TRANSITION ARE PROVIDED AT 25' INTERVALS. FOR ALL OTHER ELEVATIONS, REFER TO PROFILE AND TYPICAL SECTIONS.

REVISIONS	
NAME	DATE

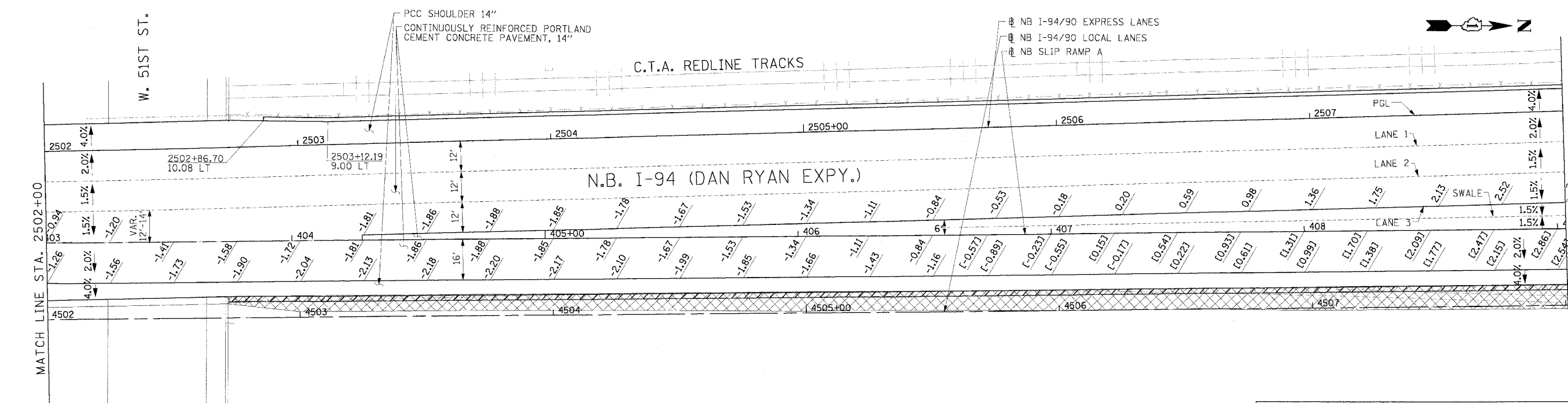
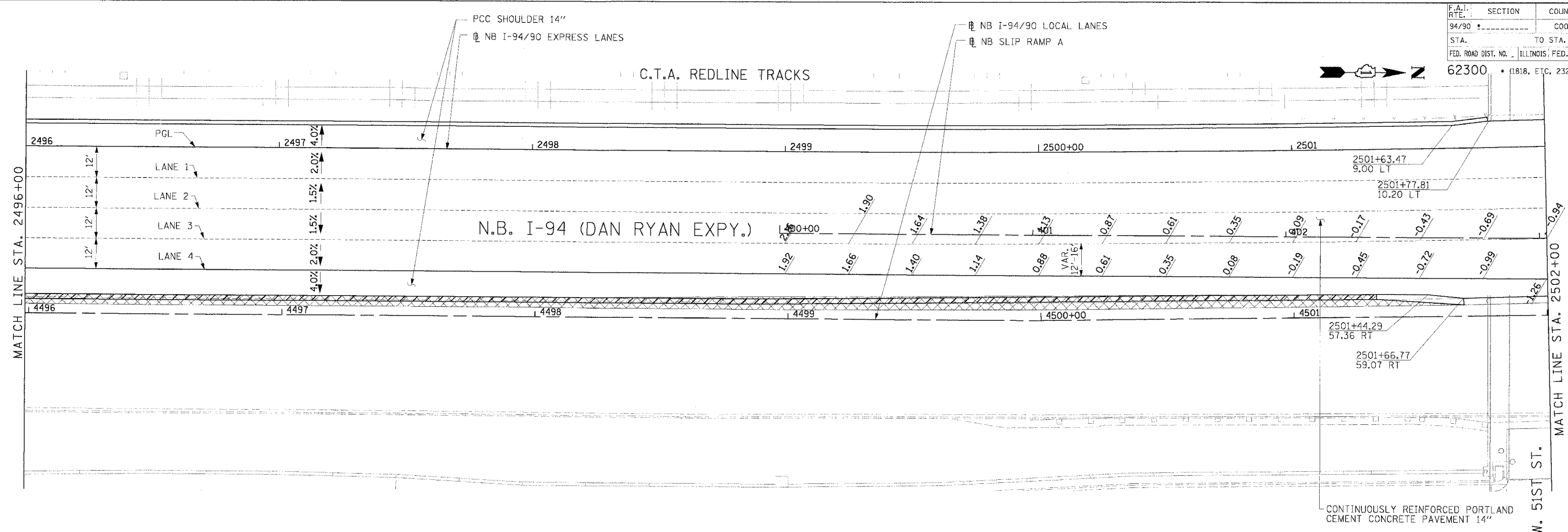
ILLINOIS DEPARTMENT OF TRANSPORTATION
 F.A.I. 94/90 (DAN RYAN EXPRESSWAY)
 31ST STREET TO 71ST STREET
 NB EXPRESS LANE RECONSTRUCTION
 PAVEMENT JOINTING AND ELEVATION PLAN
 NORTHBOUND STA. 2484+00 TO STA. 2496+00
 SCALE: 0' 10' 20' 30' 40'
 DATE: 7/7/05
 DRAWN BY: TAI
 CHECKED BY: PJM

Edwards AND Kelcey
 ONE NORTH FRANKLIN
 CHICAGO, IL 60606
 PHONE: (312) 251-3000
 FAX: (312) 251-3015
 WEB: WWW.EKCORP.COM

JT-11

06/24/2005 12:55:31 PM

F.A.I. RTE.	SECTION	COUNTY	TOTAL SHEETS	SHEET NO.
94/90		COOK	556	255
STA.	TO STA.			
62300	1818, ETC., 2324.6-1PIR-8			
FED. ROAD DIST. NO. ILLINOIS FED. AID PROJECT				



JT-12

Edwards AND Kelcey
 ONE NORTH FRANKLIN
 CHICAGO, IL 60606
 PHONE: (312) 251-3000
 FAX: (312) 251-3015
 WEB: WWW.EKCORP.COM

LEGEND
 #.## ELEVATION STATIONED OFF OF SB I-94/90 EXPRESS LANES
 (#.##) ELEVATION STATIONED OFF OF SB I-94/90 LOCAL LANES
 [#.##] ELEVATION STATIONED OFF OF SLIP RAMP ALIGNMENT

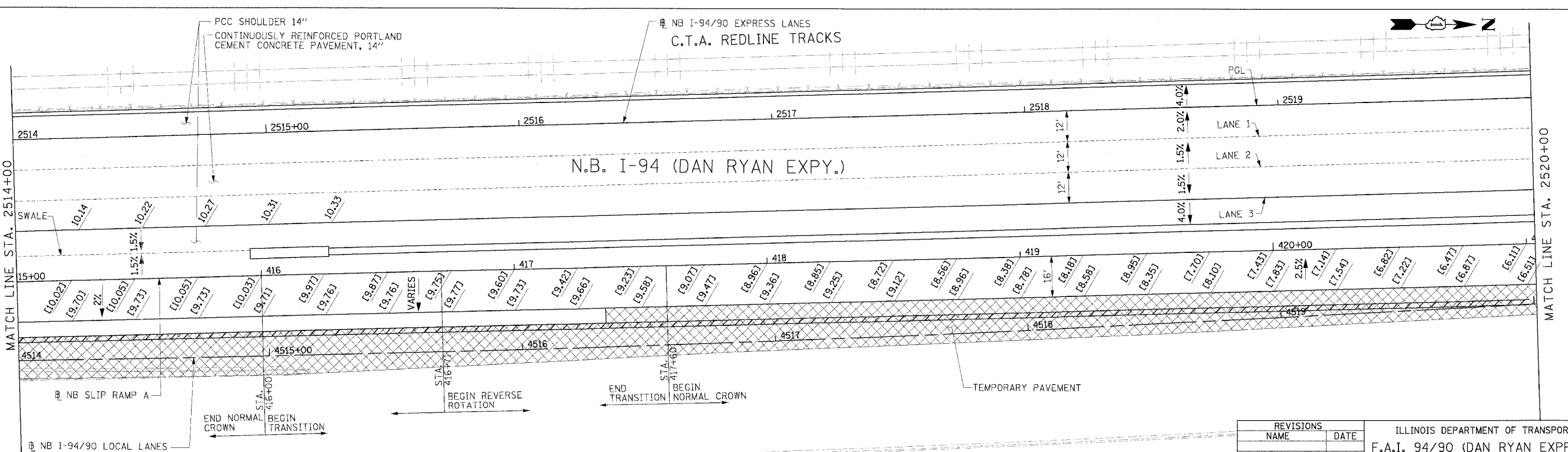
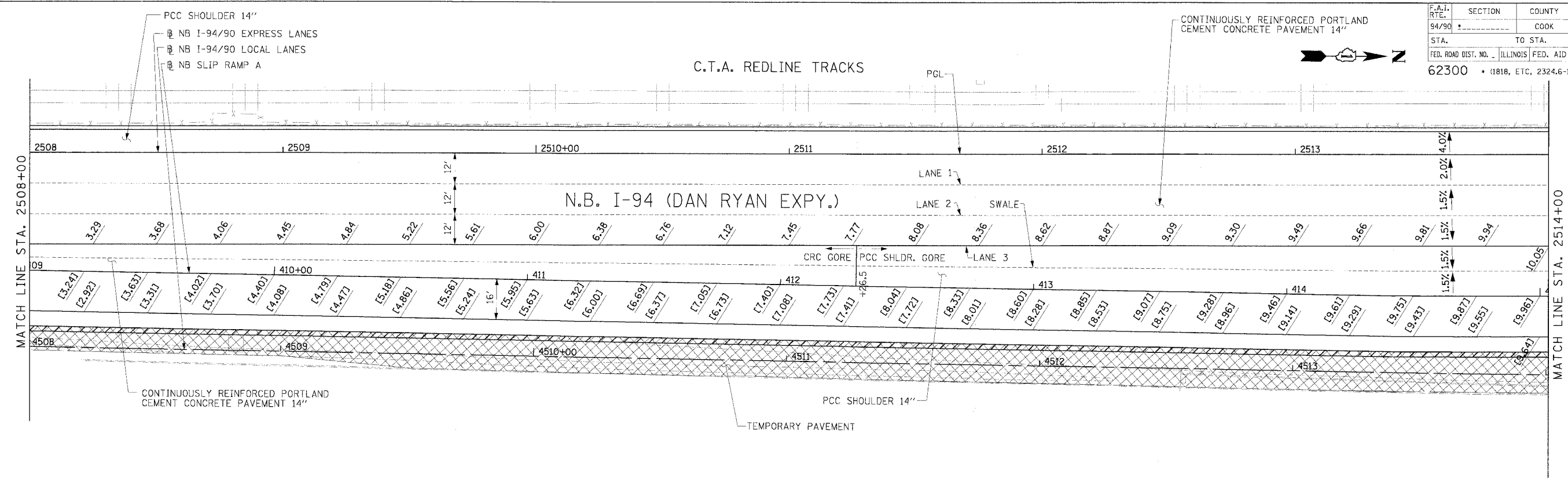
NOTE:
 1. PAVEMENT ELEVATIONS ALONG RAMPS, GORES AND IN AREAS OF SUPERELEVATION TRANSITION ARE PROVIDED AT 25' INTERVALS. FOR ALL OTHER ELEVATIONS, REFER TO PROFILE AND TYPICAL SECTIONS.

REVISIONS	
NAME	DATE

ILLINOIS DEPARTMENT OF TRANSPORTATION
 F.A.I. 94/90 (DAN RYAN EXPRESSWAY)
 31ST STREET TO 71ST STREET
 NB EXPRESS LANE RECONSTRUCTION
 PAVEMENT JOINING AND ELEVATION PLAN
 NORTHBOUND STA. 2496+00 TO STA. 2508+00
 SCALE: 0" = 10' 20' 30' 40'
 DATE: 7/7/05
 DRAWN BY: TAI
 CHECKED BY: PJM

PA030019035.Con 48/USCAD/V4/14/022478

F.A.I. RTE.	SECTION	COUNTY	TOTAL SHEETS	SHEET NO.
94/90		COOK	556	256
STA.	TO STA.			
FED. ROAD DIST. NO.	ILLINOIS	FED. AID PROJECT		
62300	(1818, ETC.	2324.6-IPR-8		



LEGEND

- ### ELEVATION STATIONED OFF OF NB I-94/90 EXPRESS LANES
- (###) ELEVATION STATIONED OFF OF NB I-94/90 LOCAL LANES
- [###] ELEVATION STATIONED OFF OF SLIP RAMP ALIGNMENT

NOTE:

1. PAVEMENT ELEVATIONS ALONG RAMPS, GORES AND IN AREAS OF SUPERELEVATION TRANSITION ARE PROVIDED AT 25' INTERVALS. FOR ALL OTHER ELEVATIONS, REFER TO PROFILE AND TYPICAL SECTIONS.

REVISIONS	
NAME	DATE

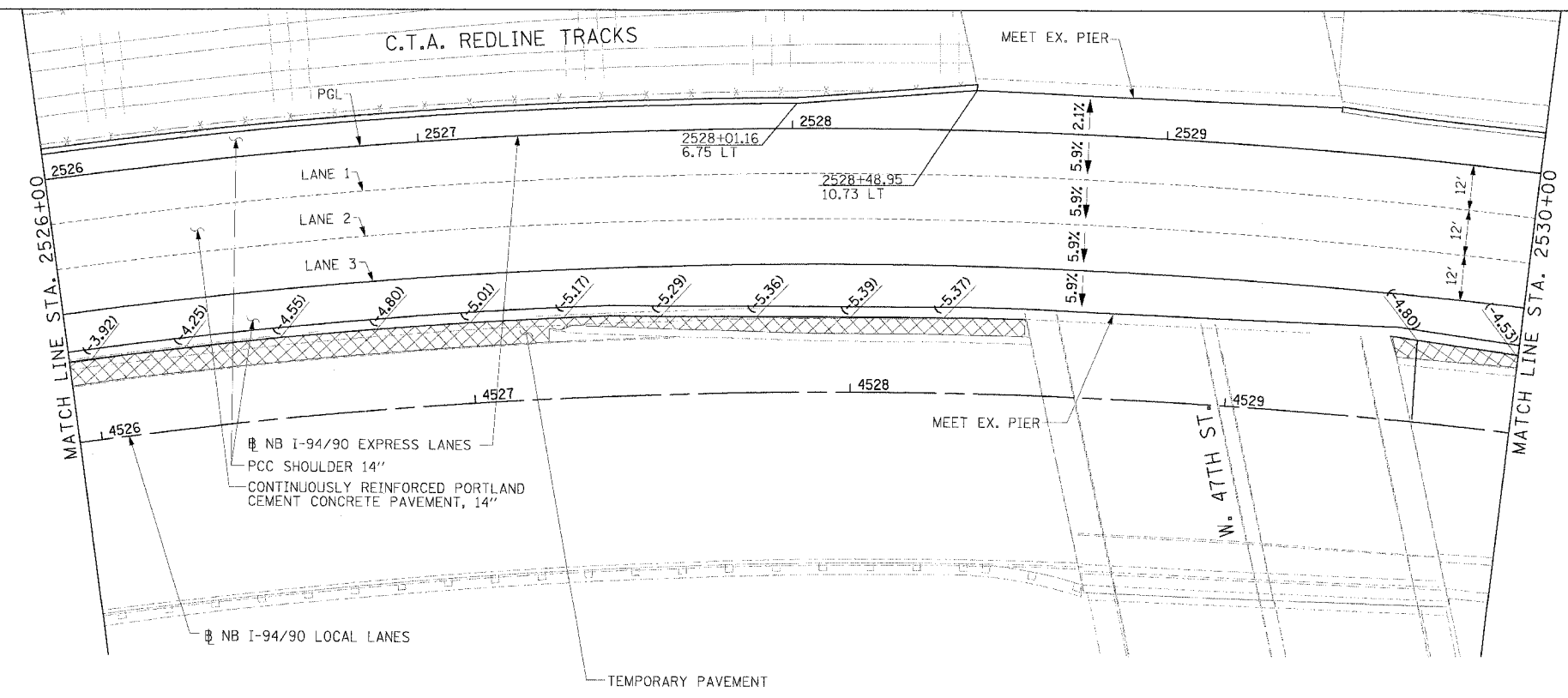
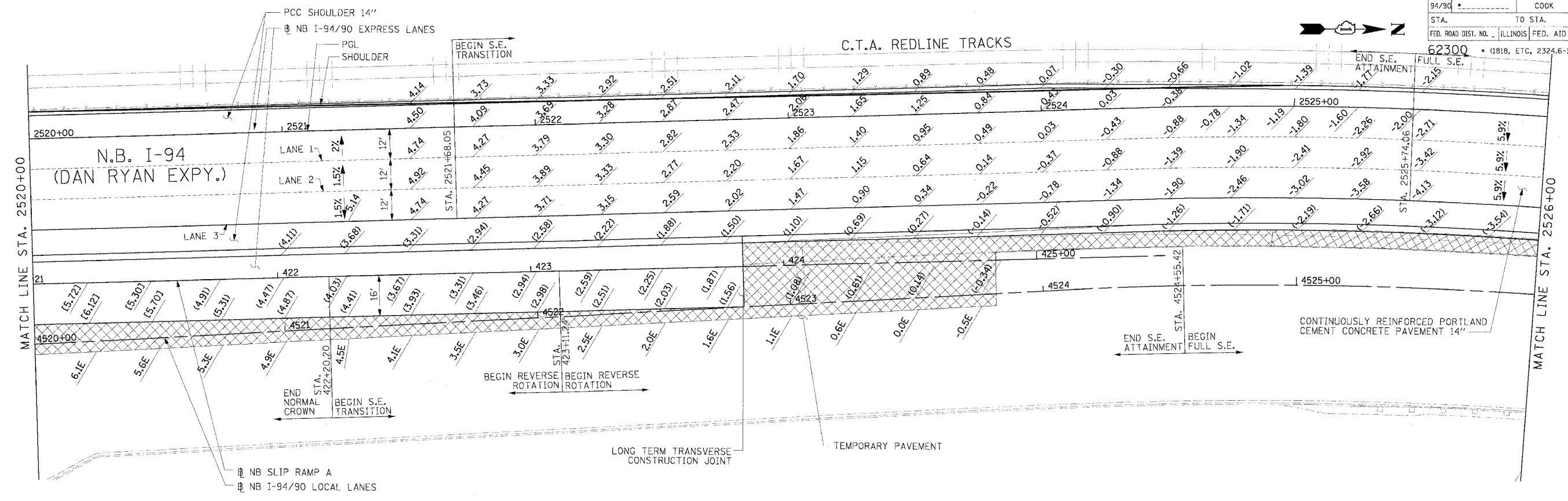
ILLINOIS DEPARTMENT OF TRANSPORTATION
 F.A.I. 94/90 (DAN RYAN EXPRESSWAY)
 31ST STREET TO 71ST STREET
 NB EXPRESS LANE RECONSTRUCTION
 PAVEMENT JOINING AND ELEVATION PLAN
 NORTHBOUND STA. 2508+00 TO STA. 2520+00
 SCALE: 0" = 10' 20' 30' 40'
 DATE: 7/7/05
 DRAWN BY: TAI
 CHECKED BY: PJM

Edwards AND Kelcey
 ONE NORTH FRANKLIN
 CHICAGO, IL 60606
 PHONE: (312) 251-3000
 FAX: (312) 251-3015
 WEB: WWW.EDCORP.COM

JT-13

06/24/2005 12:56:29 PM

F.A.I. SECTION	COUNTY	TOTAL SHEETS	SHEET NO.
94/90	COOK	556	257
STA. TO STA.	FED. ROAD DIST. NO. ILLINOIS FED. AID PROJECT		
62300	• (1818, ETC, 2324.6-IPR-B		



LEGEND

- ### ELEVATION STATIONED OFF OF SB I-94/90 EXPRESS LANES
- (###) ELEVATION STATIONED OFF OF SB I-94/90 LOCAL LANES
- [###] ELEVATION STATIONED OFF OF SLIP RAMP ALIGNMENT

NOTE:

1. PAVEMENT ELEVATIONS ALONG RAMPS, GORES AND IN AREAS OF SUPERELEVATION TRANSITION ARE PROVIDED AT 25' INTERVALS. FOR ALL OTHER ELEVATIONS, REFER TO PROFILE AND TYPICAL SECTIONS.

Edwards AND Kelcey
 ONE NORTH FRANKLIN
 CHICAGO, IL 60606
 PHONE: (312) 251-3000
 FAX: (312) 251-3015
 WEB: WWW.EKCORP.COM

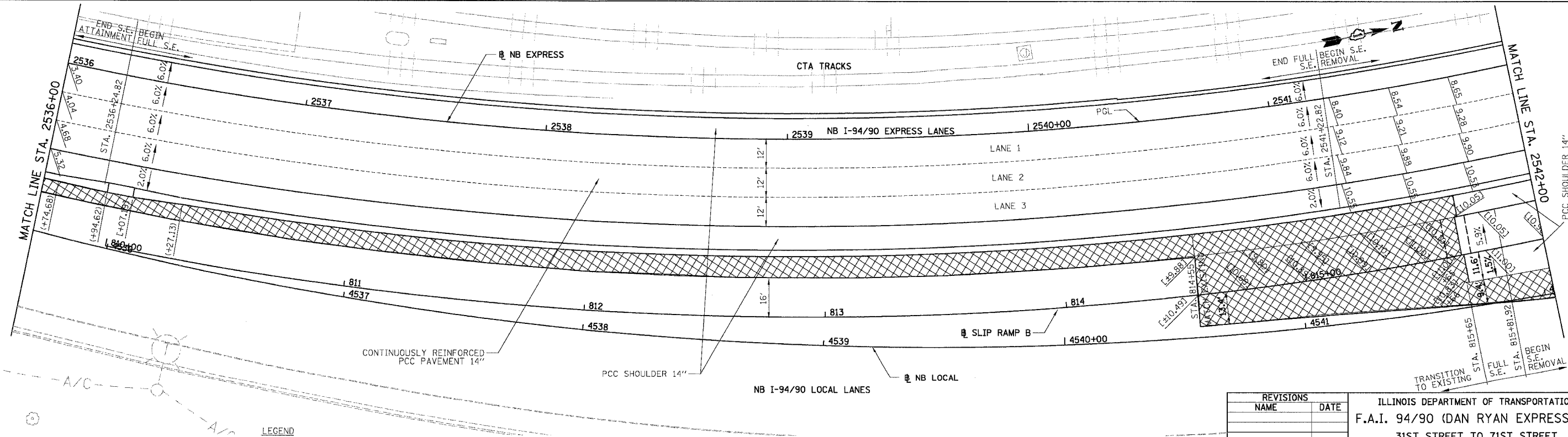
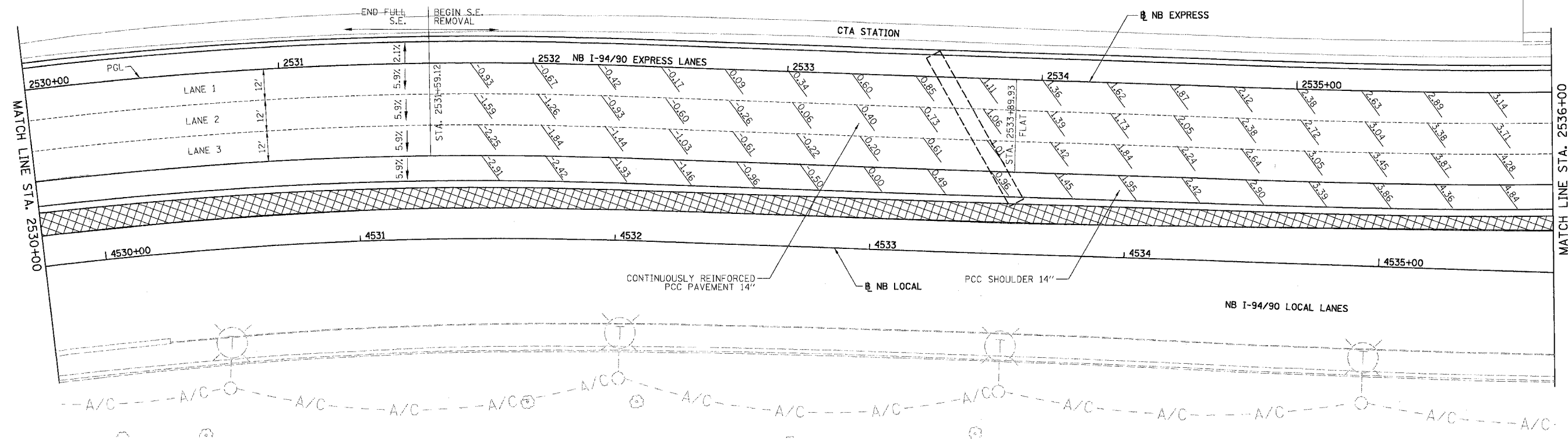
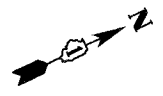
REVISIONS	
NAME	DATE

ILLINOIS DEPARTMENT OF TRANSPORTATION
 F.A.I. 94/90 (DAN RYAN EXPRESSWAY)
 31ST STREET TO 71ST STREET
 NB EXPRESS LANE RECONSTRUCTION
 PAVEMENT JOINTING AND ELEVATION PLAN
 NORTHBOUND STA. 2520+00 TO STA. 2530+00
 SCALE: 0' 10' 20' 30' 40'
 DATE: 7/7/05
 DRAWN BY: TAI
 CHECKED BY: PJM

JT-14
 06/24/2005 12:56:56 PM

NOTE:
 1. PAVEMENT ELEVATIONS ALONG GORES, RAMPS, AND IN AREAS OF SUPERELEVATION TRANSITION ARE PROVIDED AT 25' INTERVALS, FOR ALL OTHER ELEVATIONS, REFER TO PROFILE AND TYPICAL SECTIONS.

F.A.I.	SECTION	COUNTY	TOTAL SHEETS	SHEET NO.
94/90		COOK	556	258
STA. 2530+00		TO STA. 2542+00		
FED. ROAD DIST. NO.		ILLINOIS FED. AID PROJECT		
62300		*0818, ETC, 2324.6-1PR-8		



LEGEND
 [•••] ELEVATION STATIONED OFF OF NB I-94/90 EXPRESS LANES
 [•••] ELEVATION STATIONED OFF OF NB I-94/90 LOCAL LANES
 [•••] ELEVATION STATIONED OFF OF SLIP RAMP ALIGNMENT
 [X/X] TEMPORARY PAVEMENT (INTERSTATE) / SHOULDERS

BOWMAN, BARRETT & ASSOCIATES INC.
 CONSULTING ENGINEERS
 Chicago, Illinois
 312.228.0100
 www.bbainc.com

REVISIONS	NAME	DATE

ILLINOIS DEPARTMENT OF TRANSPORTATION
 F.A.I. 94/90 (DAN RYAN EXPRESSWAY)
 31ST STREET TO 71ST STREET
 NB EXPRESS LANE RECONSTRUCTION
 PAVEMENT JOINTING AND ELEVATION PLAN
 NORTHBOUND STA. 2530+00 TO STA. 2542+00
 SCALE: 1"=20'
 DATE: 07/07/05
 DRAWN BY: TER
 CHECKED BY: JDC

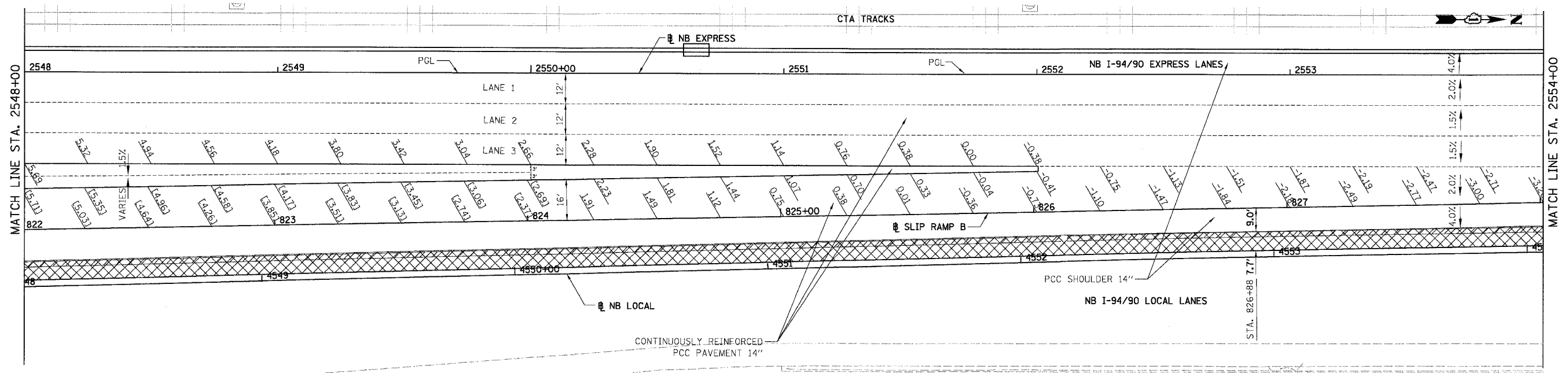
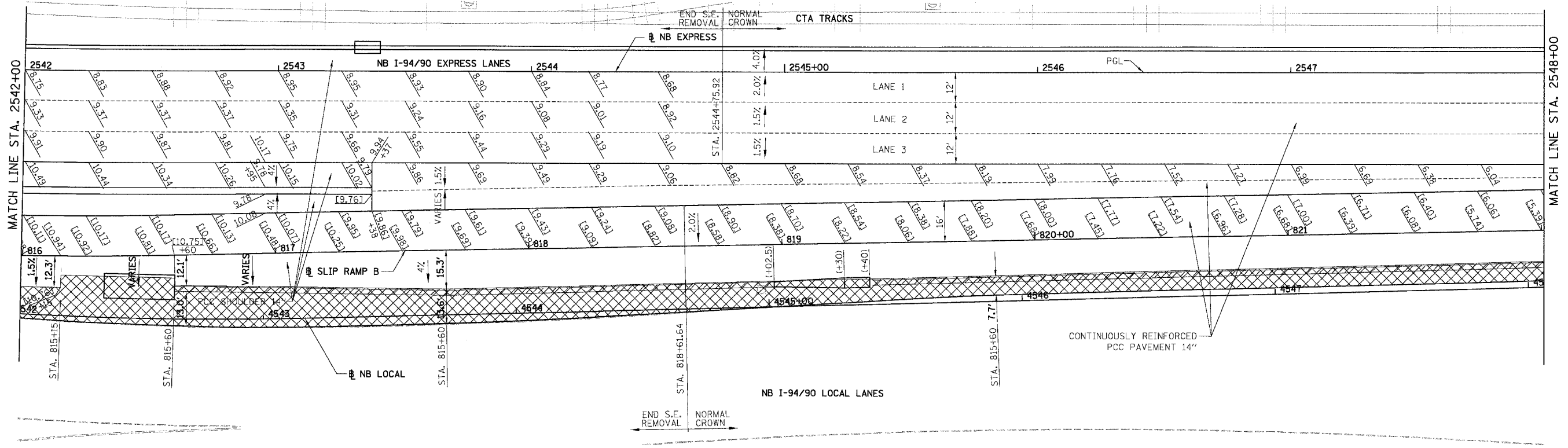
6/24/2005 1:57:28 PM JT-15

NOTE:

1. PAVEMENT ELEVATIONS ALONG GORES, RAMPS, AND IN AREAS OF SUPERELEVATION TRANSITION ARE PROVIDED AT 25' INTERVALS, FOR ALL OTHER ELEVATIONS, REFER TO PROFILE AND TYPICAL SECTIONS.



F.A.I.	SECTION	COUNTY	TOTAL SHEETS	SHEET NO.
94/90	*	COOK	556	259
STA. 2542+00		TO STA. 2554+00		
FED. ROAD DIST. NO.		ILLINOIS FED. AID PROJECT		
62300		*0818, ETC. 2324.6-IPR-8		



- LEGEND**
- ELEVATION STATIONED OFF OF NB I-94/90 EXPRESS LANES
 - (•••) ELEVATION STATIONED OFF OF NB I-94/90 LOCAL LANES
 - [•••] ELEVATION STATIONED OFF OF SLIP RAMP ALIGNMENT
 - XXXXX TEMPORARY PAVEMENT (INTERSTATE) / SHOULDERS

REVISIONS	
NAME	DATE

ILLINOIS DEPARTMENT OF TRANSPORTATION
 F.A.I. 94/90 (DAN RYAN EXPRESSWAY)
 31ST STREET TO 71ST STREET
 NB EXPRESS LANE RECONSTRUCTION
 PAVEMENT JOINTING AND ELEVATION PLAN
 NORTHBOUND STA. 2542+00 TO STA. 2554+00
 SCALE: 1"=20'
 DATE: 07/07/05
 DRAWN BY: TER
 CHECKED BY: JDC

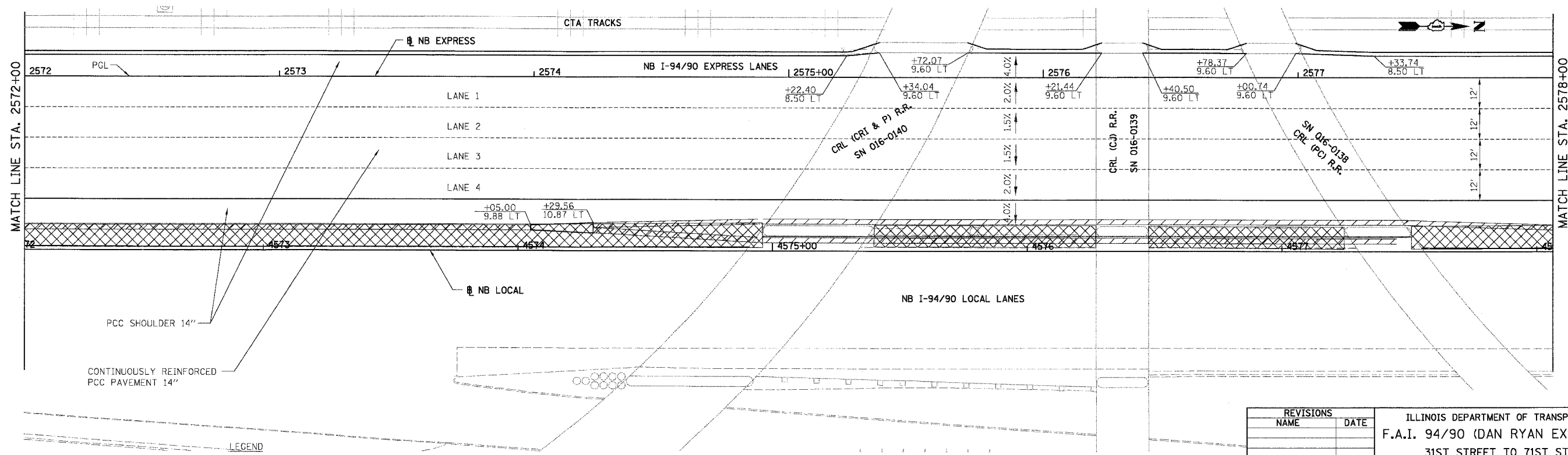
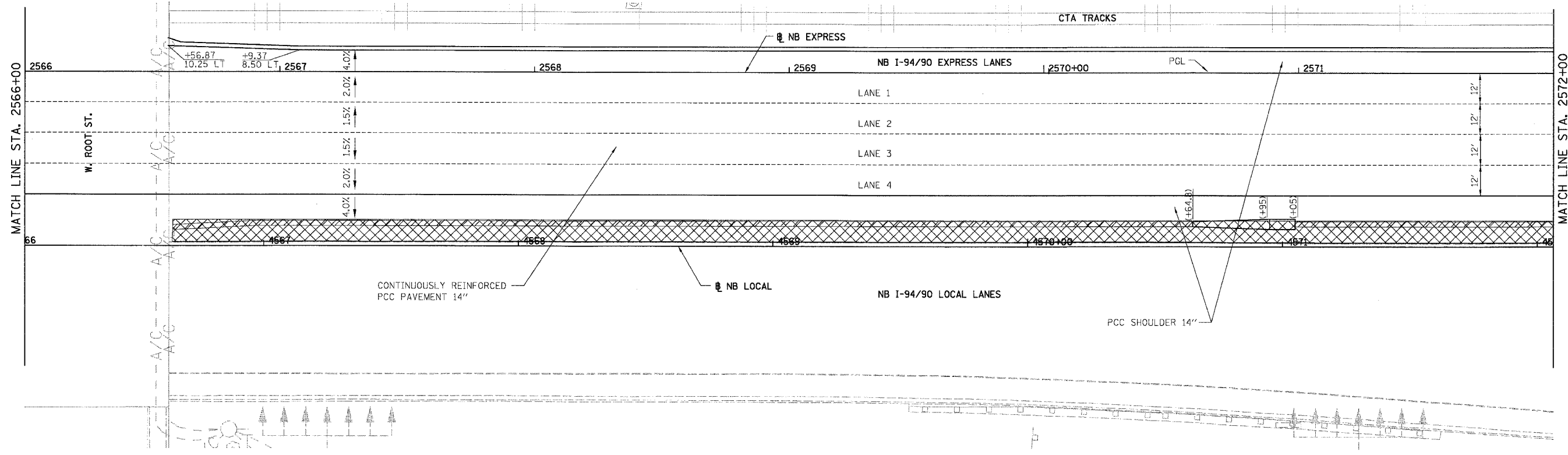
BOWMAN, BARRETT & ASSOCIATES INC.
 CONSULTING ENGINEERS
 Chicago, Illinois
 312.228.0100
 www.bbainc.com

JT-16
 6/24/2005 157:28 PM

NOTE:
 1. PAVEMENT ELEVATIONS ALONG GOES, RAMPS, AND IN AREAS OF SUPERELEVATION TRANSITION ARE PROVIDED AT 25' INTERVALS, FOR ALL OTHER ELEVATIONS, REFER TO PROFILE AND TYPICAL SECTIONS.



F.A.I.	SECTION	COUNTY	TOTAL SHEETS	SHEET NO.
94/90	*	COOK	556	261
STA. 2566+00		TO STA. 2578+00		
FED. ROAD DIST. NO.		ILLINOIS FED. AID PROJECT		
62300		*1818, ETC, 2324.6-1PR-8		



- LEGEND**
- ELEVATION STATIONED OFF OF NB I-94/90 EXPRESS LANES
 - (•••) ELEVATION STATIONED OFF OF NB I-94/90 LOCAL LANES
 - [•••] ELEVATION STATIONED OFF OF SLIP RAMP ALIGNMENT
 - XXXXX TEMPORARY PAVEMENT (INTERSTATE) / SHOULDERS

BOWMAN, BARRETT & ASSOCIATES INC.
 CONSULTING ENGINEERS
 Chicago, Illinois
 312.228.0100
 www.bbandainc.com

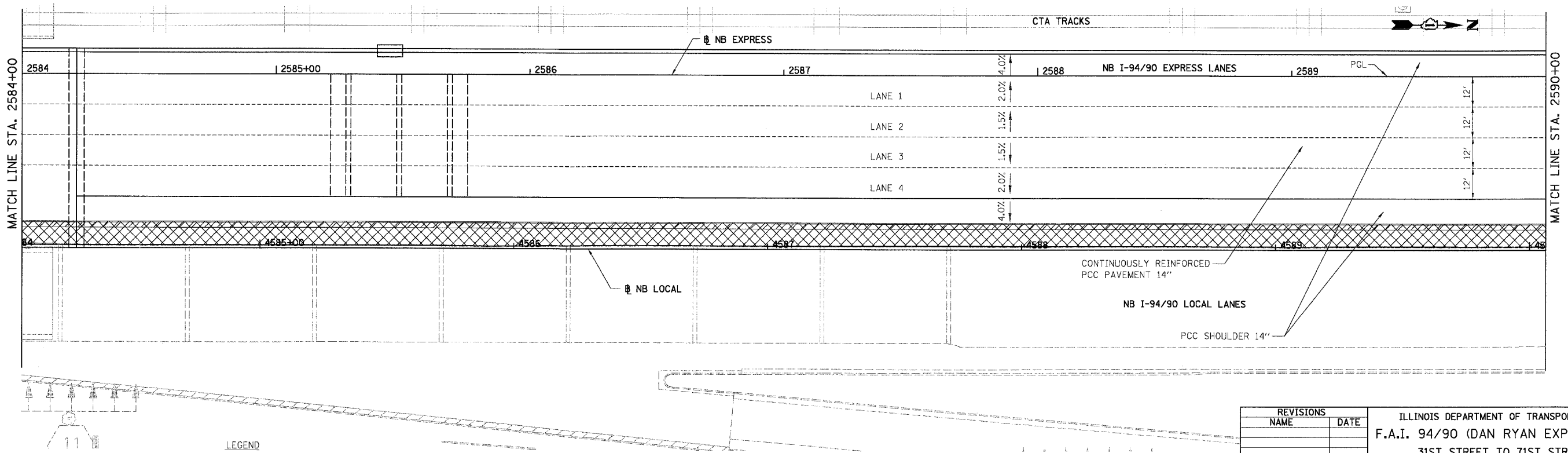
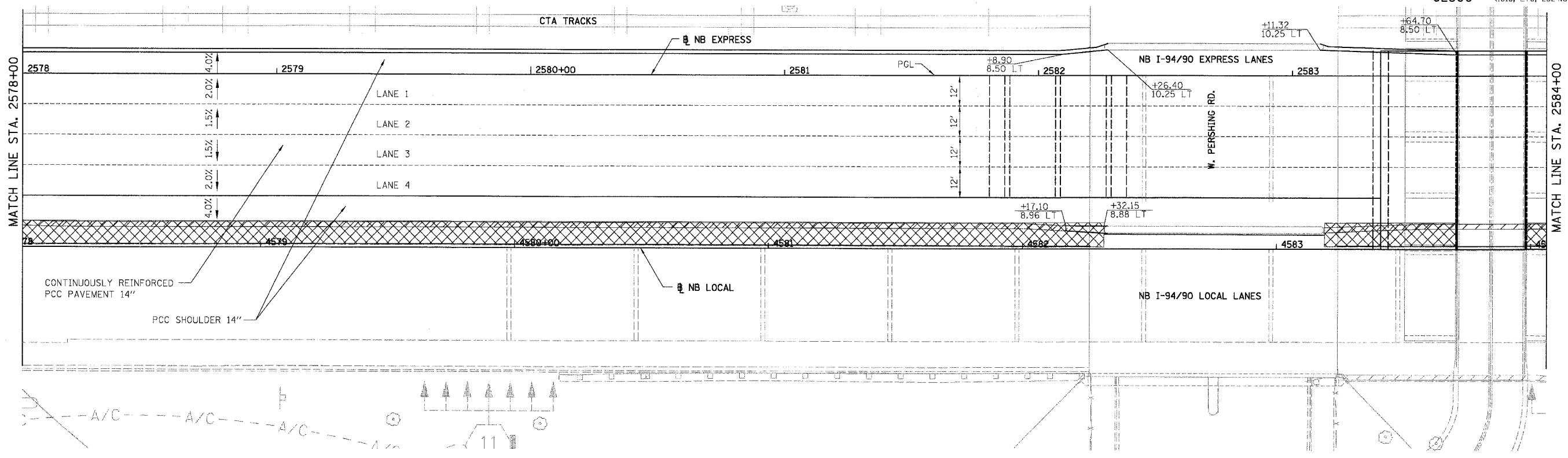
REVISIONS NAME	DATE

ILLINOIS DEPARTMENT OF TRANSPORTATION
 F.A.I. 94/90 (DAN RYAN EXPRESSWAY)
 31ST STREET TO 71ST STREET
 NB EXPRESS LANE RECONSTRUCTION
 PAVEMENT JOINTING AND ELEVATION PLAN
 NORTHBOUND STA. 2566+00 TO STA. 2578+00
 SCALE: 1"=20'
 DATE: 07/07/05
 DRAWN BY: TER
 CHECKED BY: JDC

JT-18
 6/24/2005 1:57:28 PM

NOTE:
 1. PAVEMENT ELEVATIONS ALONG GORES, RAMPS, AND IN AREAS OF SUPERELEVATION TRANSITION ARE PROVIDED AT 25' INTERVALS, FOR ALL OTHER ELEVATIONS, REFER TO PROFILE AND TYPICAL SECTIONS.

F.A.I.	SECTION	COUNTY	TOTAL SHEETS	SHEET NO.
94/90	*	COOK	556	262
STA. 2578+00		TO STA. 2590+00		
FED. ROAD DIST. NO.	ILLINOIS	FED. AID PROJECT		
62300	*(1818, ETC., 2324.6-1)IR-8			



- LEGEND**
- *.**. ELEVATION STATIONED OFF OF NB I-94/90 EXPRESS LANES
 - (*.*). ELEVATION STATIONED OFF OF NB I-94/90 LOCAL LANES
 - [*.*]. ELEVATION STATIONED OFF OF SLIP RAMP ALIGNMENT
 - XXXX. TEMPORARY PAVEMENT (INTERSTATE) / SHOULDERS

REVISIONS	
NAME	DATE

ILLINOIS DEPARTMENT OF TRANSPORTATION
 F.A.I. 94/90 (DAN RYAN EXPRESSWAY)
 31ST STREET TO 71ST STREET
 NB EXPRESS LANE RECONSTRUCTION
 PAVEMENT JOINTING AND ELEVATION PLAN
 NORTHBOUND STA. 2578+00 TO STA. 2590+00
 SCALE: 1"=20'
 DATE: 07/07/05
 DRAWN BY: TER
 CHECKED BY: JDC

BOWMAN, BARRETT & ASSOCIATES INC.
 CONSULTING ENGINEERS
 Chicago, Illinois
 312.228.0100
 www.bbainc.com

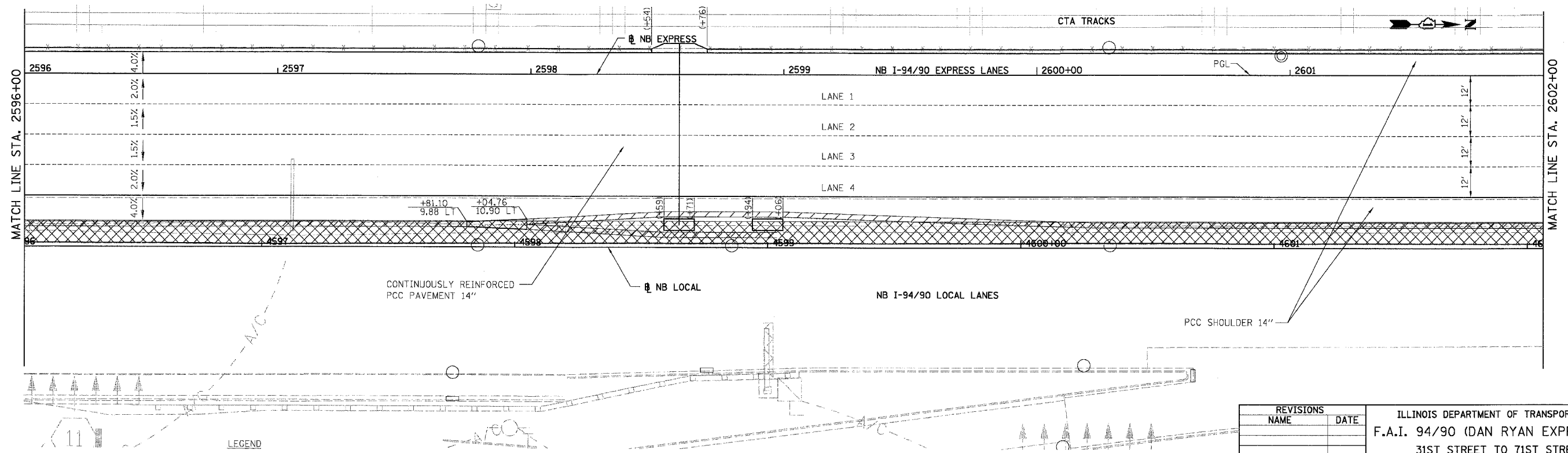
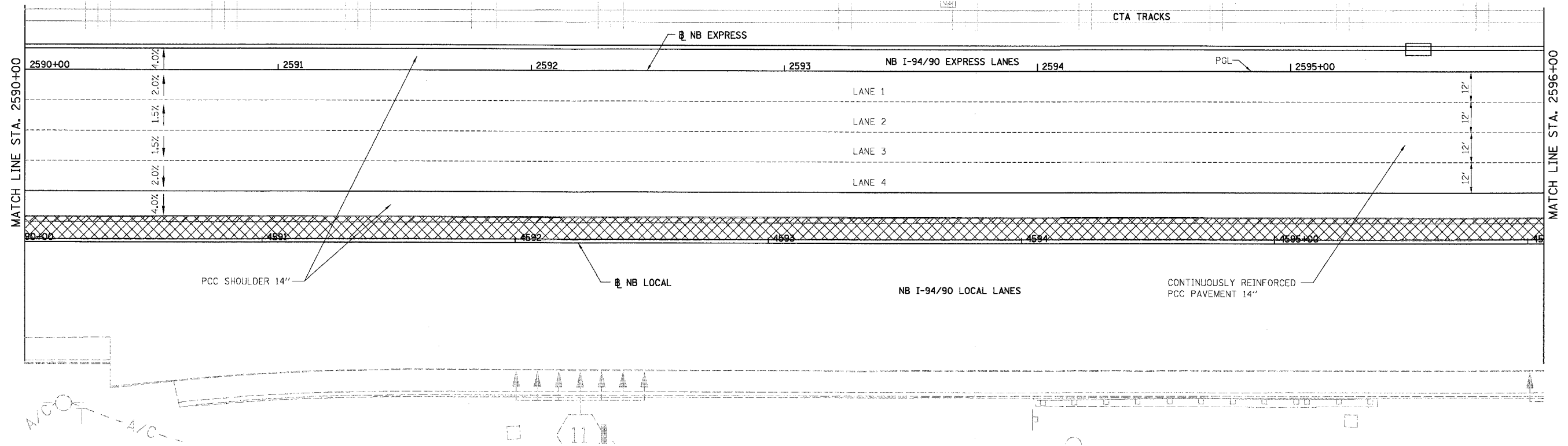
JT-19
 8/24/2005 1:52:28 PM

NOTE:

1. PAVEMENT ELEVATIONS ALONG GORES, RAMPS, AND IN AREAS OF SUPERELEVATION TRANSITION ARE PROVIDED AT 25' INTERVALS, FOR ALL OTHER ELEVATIONS, REFER TO PROFILE AND TYPICAL SECTIONS.



F.A.I.	SECTION	COUNTY	TOTAL SHEETS	SHEET NO.
94/90	*	COOK	556	263
STA. 2590+00		TO STA. 2602+00		
FED. ROAD DIST. NO.		ILLINOIS	FED. AID PROJECT	
62300		*GB18, ETC. 2324.6-1P/R-8		



BOWMAN, BARRETT & ASSOCIATES INC.
 CONSULTING ENGINEERS
 Chicago, Illinois
 312.228.0100
 www.bbainc.com

- LEGEND**
- ELEVATION STATIONED OFF OF NB I-94/90 EXPRESS LANES
 - (•••) ELEVATION STATIONED OFF OF NB I-94/90 LOCAL LANES
 - [•••] ELEVATION STATIONED OFF OF SLIP RAMP ALIGNMENT
 - XXXXX TEMPORARY PAVEMENT (INTERSTATE) / SHOULDERS

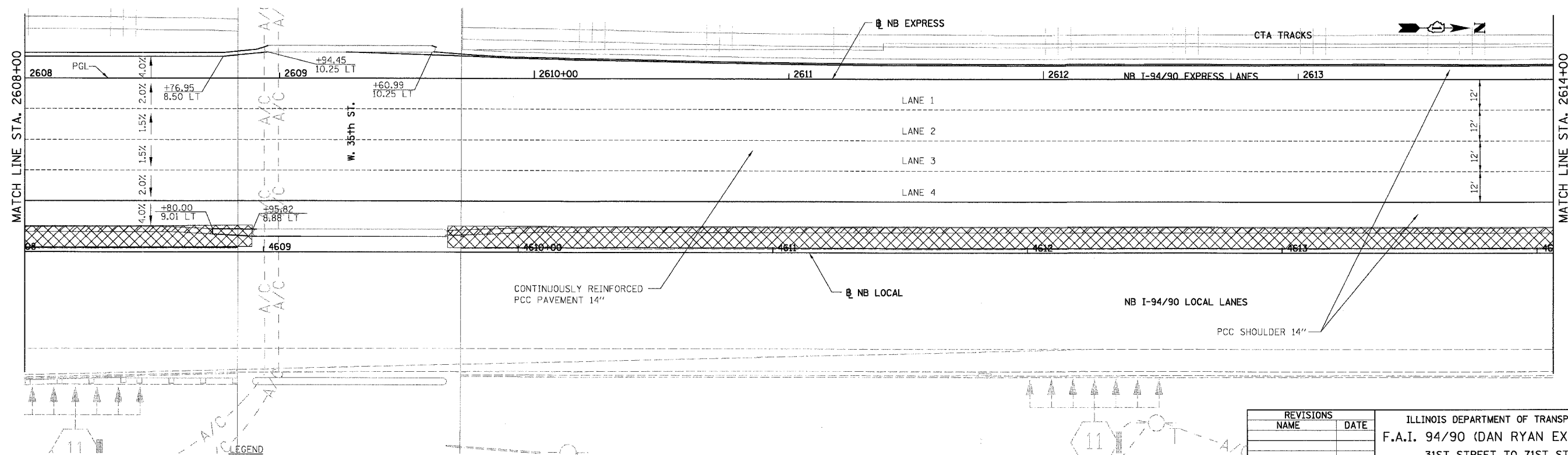
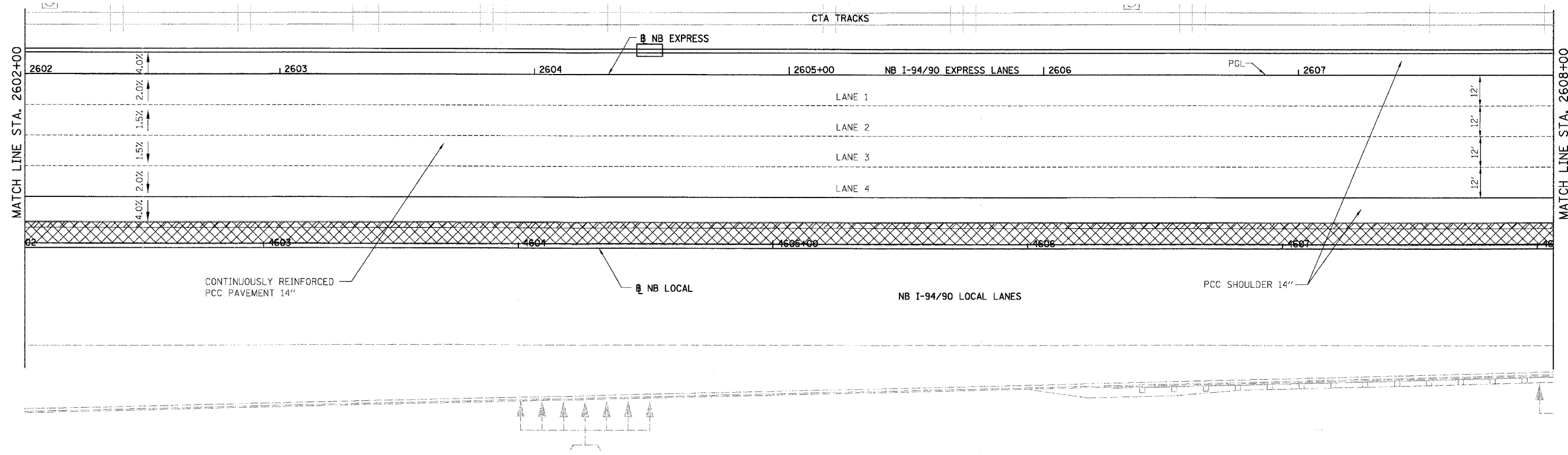
REVISIONS	
NAME	DATE

ILLINOIS DEPARTMENT OF TRANSPORTATION
 F.A.I. 94/90 (DAN RYAN EXPRESSWAY)
 31ST STREET TO 71ST STREET
 NB EXPRESS LANE RECONSTRUCTION
 PAVEMENT JOINTING AND ELEVATION PLAN
 NORTHBOUND STA. 2590+00 TO STA. 2602+00
 SCALE: 1"=20'
 DATE: 07/07/05
 DRAWN BY: TER
 CHECKED BY: JDC

JT-20
 6/24/2005 1:57:29 PM

NOTE:
 1. PAVEMENT ELEVATIONS ALONG CORES, RAMPS, AND IN AREAS OF SUPERELEVATION TRANSITION ARE PROVIDED AT 25' INTERVALS, FOR ALL OTHER ELEVATIONS, REFER TO PROFILE AND TYPICAL SECTIONS.

F.A.I.	SECTION	COUNTY	TOTAL SHEETS	SHEET NO.
94/90		COOK	556	264
STA. 2602+00		TO STA. 2614+00		
FED. ROAD DIST. NO.		ILLINOIS FED. AID PROJECT		
62300		*1818, ETC, 2324.6-1PR-8		



- LEGEND
- ELEVATION STATIONED OFF OF NB I-94/90 EXPRESS LANES
 - (•••) ELEVATION STATIONED OFF OF NB I-94/90 LOCAL LANES
 - [•••] ELEVATION STATIONED OFF OF SLIP RAMP ALIGNMENT
 - XXXX TEMPORARY PAVEMENT (INTERSTATE) / SHOULDERS

REVISIONS	
NAME	DATE

ILLINOIS DEPARTMENT OF TRANSPORTATION
 F.A.I. 94/90 (DAN RYAN EXPRESSWAY)
 31ST STREET TO 71ST STREET
 NB EXPRESS LANE RECONSTRUCTION
 PAVEMENT JOINTING AND ELEVATION PLAN
 NORTHBOUND STA. 2602+00 TO STA. 2614+00
 SCALE: 1"=20'
 DATE: 07/07/05
 DRAWN BY: TER
 CHECKED BY: JDC

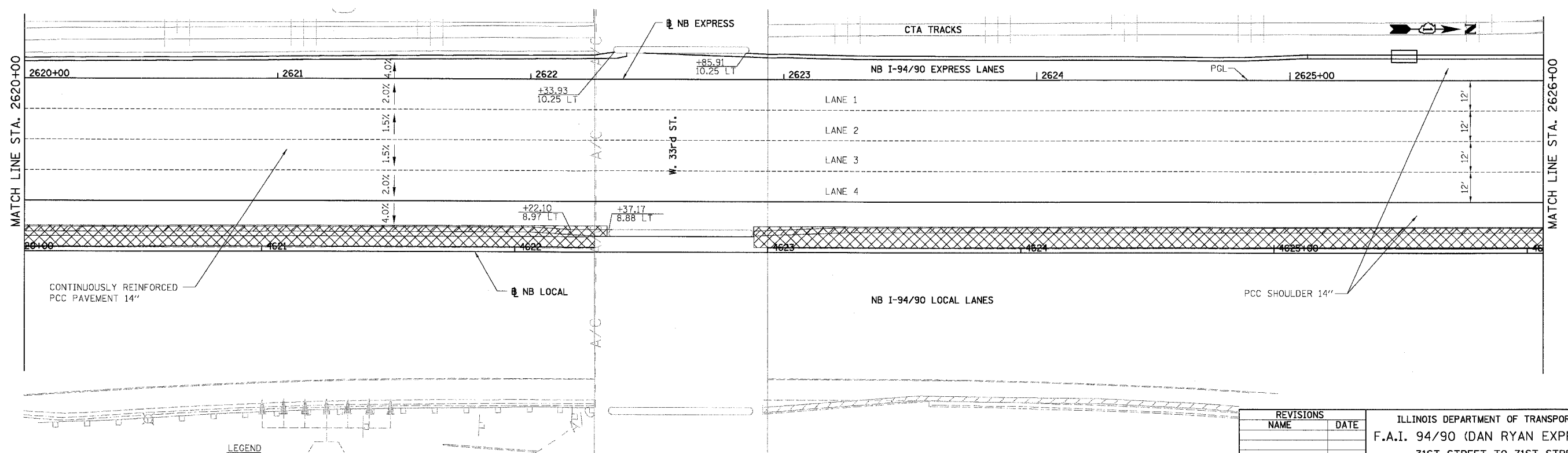
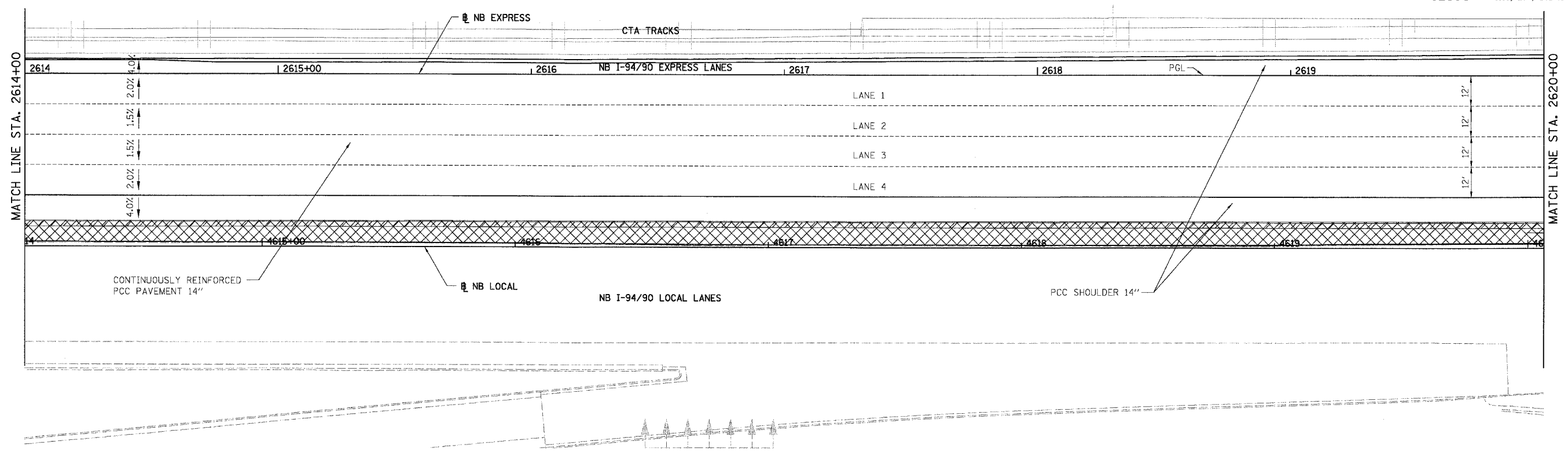
BOWMAN, BARRETT & ASSOCIATES INC.
 CONSULTING ENGINEERS
 Chicago, Illinois
 312.228.0100
 www.bbainc.com

JT-21
 12/21/05

NOTE:
 1. PAVEMENT ELEVATIONS ALONG GOES, RAMPS, AND IN AREAS OF SUPERELEVATION TRANSITION ARE PROVIDED AT 25' INTERVALS, FOR ALL OTHER ELEVATIONS, REFER TO PROFILE AND TYPICAL SECTIONS.



F.A.I.	SECTION	COUNTY	TOTAL SHEETS	SHEET NO.
94/90	*	COOK	556	265
STA. 2614+00		TO STA. 2626+00		
FED. ROAD DIST. NO.		ILLINOIS FED. AID PROJECT		
62300		*1818, ETC, 2324.6-1PR-8		



- LEGEND**
- ELEVATION STATIONED OFF OF NB I-94/90 EXPRESS LANES
 - (•••) ELEVATION STATIONED OFF OF NB I-94/90 LOCAL LANES
 - [•••] ELEVATION STATIONED OFF OF SLIP RAMP ALIGNMENT
 - XXXXX TEMPORARY PAVEMENT (INTERSTATE) / SHOULDERS

REVISIONS	
NAME	DATE

ILLINOIS DEPARTMENT OF TRANSPORTATION
 F.A.I. 94/90 (DAN RYAN EXPRESSWAY)
 31ST STREET TO 71ST STREET
 NB EXPRESS LANE RECONSTRUCTION
 PAVEMENT JOINTING AND ELEVATION PLAN
 NORTHBOUND STA. 2614+00 TO STA. 2626+00
 SCALE: 1"=20'
 DATE: 07/07/05
 DRAWN BY: TER
 CHECKED BY: JDC

BOWMAN, BARRETT & ASSOCIATES INC.
 CONSULTING ENGINEERS
 Chicago, Illinois
 312.228.0100
 www.bbandainc.com

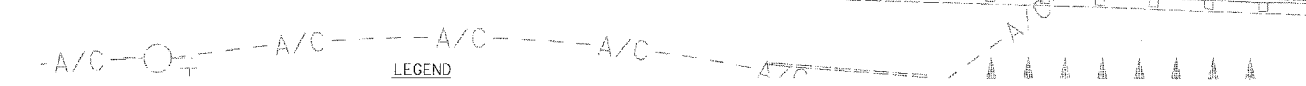
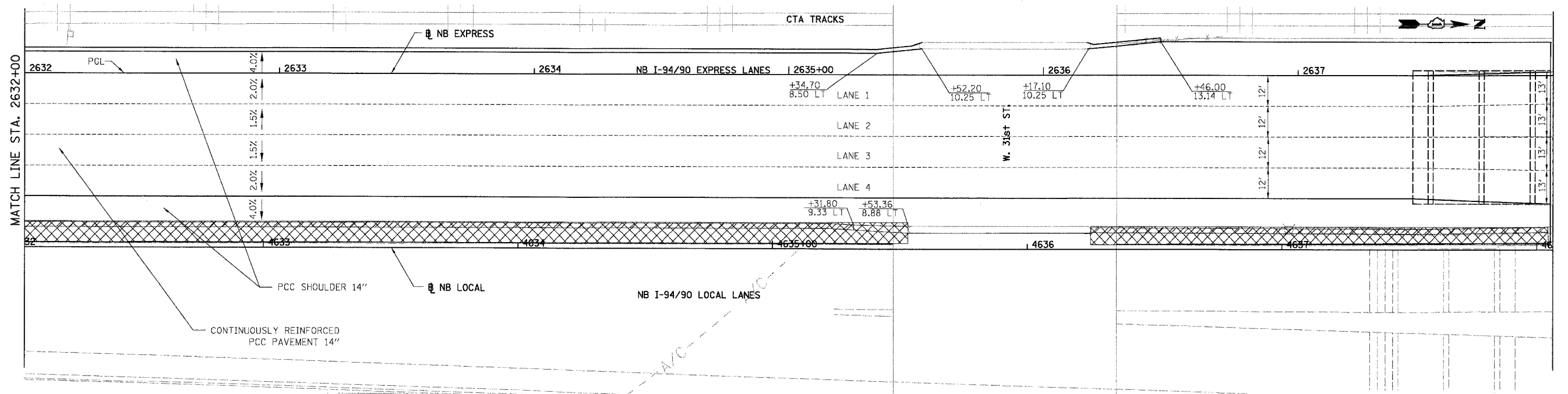
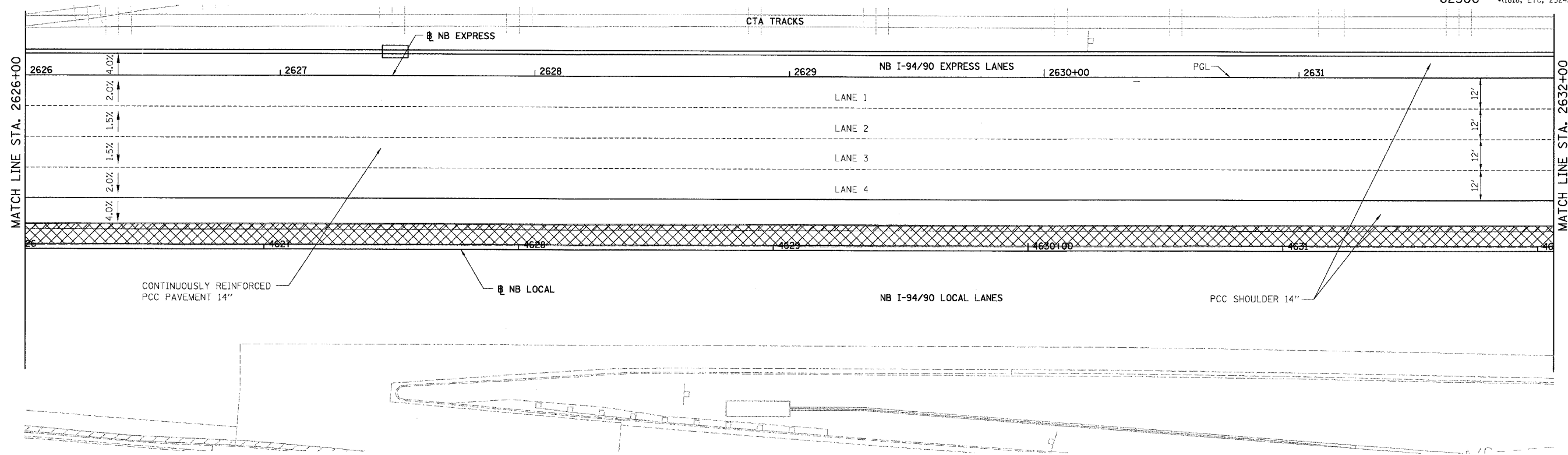
JT-22
 12/21/05
 6/28/2005

NOTE:

1. PAVEMENT ELEVATIONS ALONG GORES, RAMPS, AND IN AREAS OF SUPERELEVATION TRANSITION ARE PROVIDED AT 25' INTERVALS, FOR ALL OTHER ELEVATIONS, REFER TO PROFILE AND TYPICAL SECTIONS.



F.A.I.	SECTION	COUNTY	TOTAL SHEETS	SHEET NO.
94/90	*	COOK	556	266
STA. 2626+00		TO STA. 2637+99		
FED. ROAD DIST. NO.		ILLINOIS	FED. AID PROJECT	
62300		*11818, ETC. 2324.6-1PIR-8		



LEGEND

- *.. ELEVATION STATIONED OFF OF NB I-94/90 EXPRESS LANES
- (*..*) ELEVATION STATIONED OFF OF NB I-94/90 LOCAL LANES
- [*..*] ELEVATION STATIONED OFF OF SLIP RAMP ALIGNMENT
- XXXXX TEMPORARY PAVEMENT (INTERSTATE) / SHOULDERS

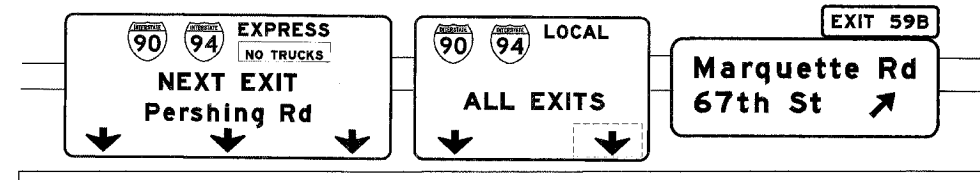
BOWMAN, BARRETT & ASSOCIATES INC
 CONSULTING ENGINEERS
 Chicago, Illinois
 312.228.0100
 www.bbainc.com

REVISIONS	
NAME	DATE

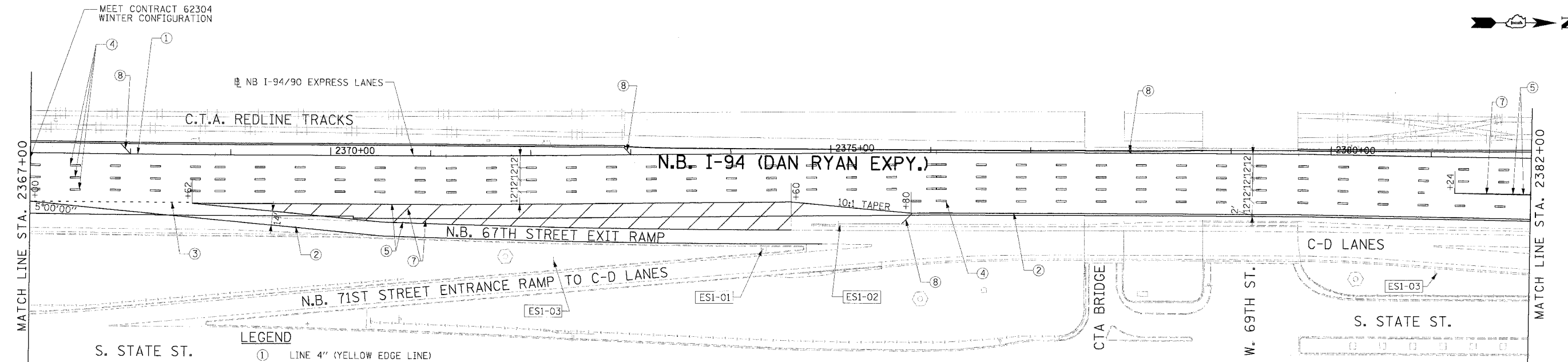
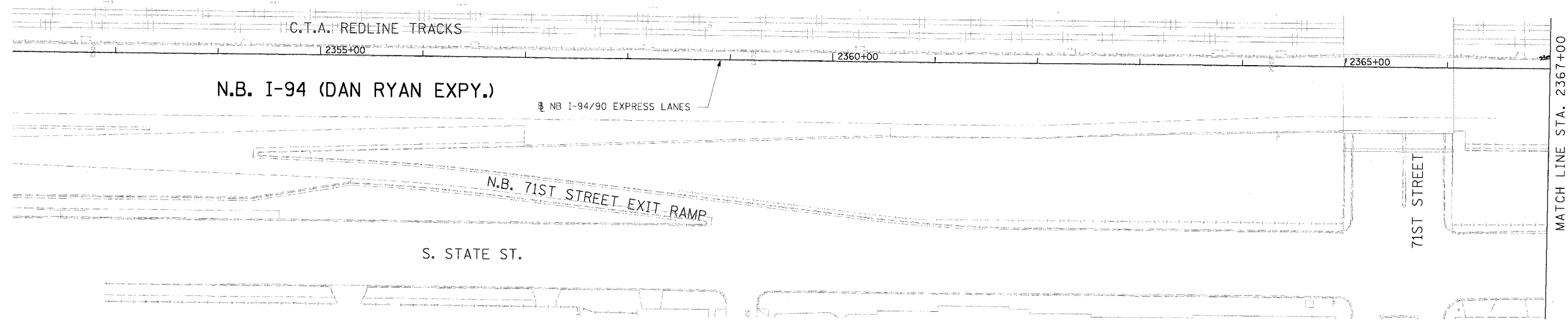
ILLINOIS DEPARTMENT OF TRANSPORTATION
 F.A.I. 94/90 (DAN RYAN EXPRESSWAY)
 31ST STREET TO 71ST STREET
 NB EXPRESS LANE RECONSTRUCTION
 PAVEMENT JOINTING AND ELEVATION PLAN
 NORTHBOUND STA. 2626+00 TO STA. 2637+99
 SCALE: 1"=20'
 DATE: 07/07/05
 DRAWN BY: TER
 CHECKED BY: JDC

JT-23
 6/24/2005 15:29 PM

F.A.I. RTE.	SECTION	COUNTY	TOTAL SHEET SHEETS	NO.
94/90		COOK	556	267
STA.	TO STA.		FED. ROAD DIST. NO.	
62300	(1818, ETC., 2324.6-1PIR-8)		ILLINOIS FED. AID PROJECT	



EXISTING BRIDGE MOUNT SIGN FROM CONTRACT 62694 ESI-01



S. STATE ST.

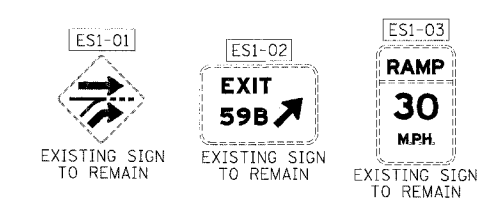
- LEGEND**
- ① LINE 4" (YELLOW EDGE LINE)
 - ② LINE 4" (WHITE EDGE LINE)
 - ③ LINE 4" (SKIP DASH, 6' SKIP - 2' DASH, WHITE)
 - ④ LINE 5" (SKIP DASH, 30' SKIP - 10' DASH, WHITE)
 - ⑤ LINE 8" (WHITE CORE LINE)
 - ⑥ LINE 8" (SKIP DASH, 12' SKIP - 3' DASH, WHITE)
 - ⑦ LINE 12" (DIAGONAL, 30' C-C)
 - ⑧ LINE 12" (DIAGONAL, 500' C-C)
 - ⑨ LETTERS AND SYMBOLS
- ESx-xx EXISTING SIGN
 TSx-xx TEMPORARY SIGN
 PSx-xx PROPOSED SIGN

STATIONING

*** STATION PROVIDED FROM THE I-90/94 EXPRESS LANES

(***) STATION PROVIDED FROM THE I-90/94 LOCAL LANES

NOTE:
 ALL PAVEMENT MARKINGS ON THIS SHEET ARE EPOXY PAVEMENT MARKING UNLESS OTHERWISE NOTED.



REVISIONS	
NAME	DATE

ILLINOIS DEPARTMENT OF TRANSPORTATION
 F.A.I. 94/90 (DAN RYAN EXPRESSWAY)
 31ST STREET TO 71ST STREET
 NB EXPRESS LANE RECONSTRUCTION
 AND SIGNING PLAN
 NORTHBOUND STA. 2352+00 TO STA. 2382+00

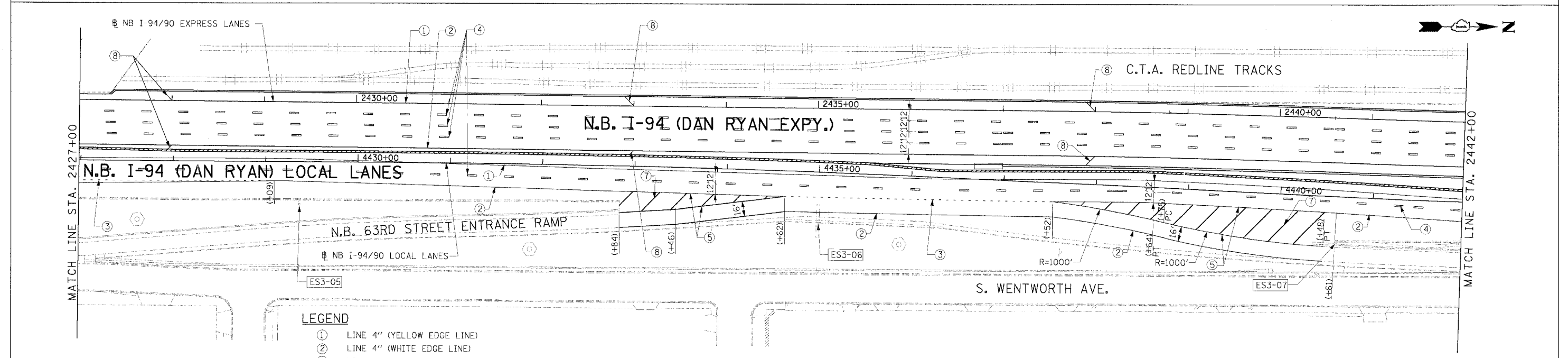
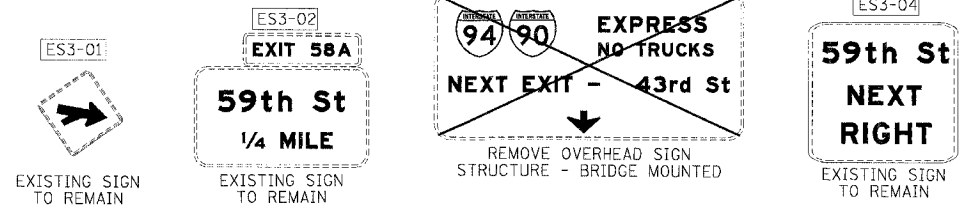
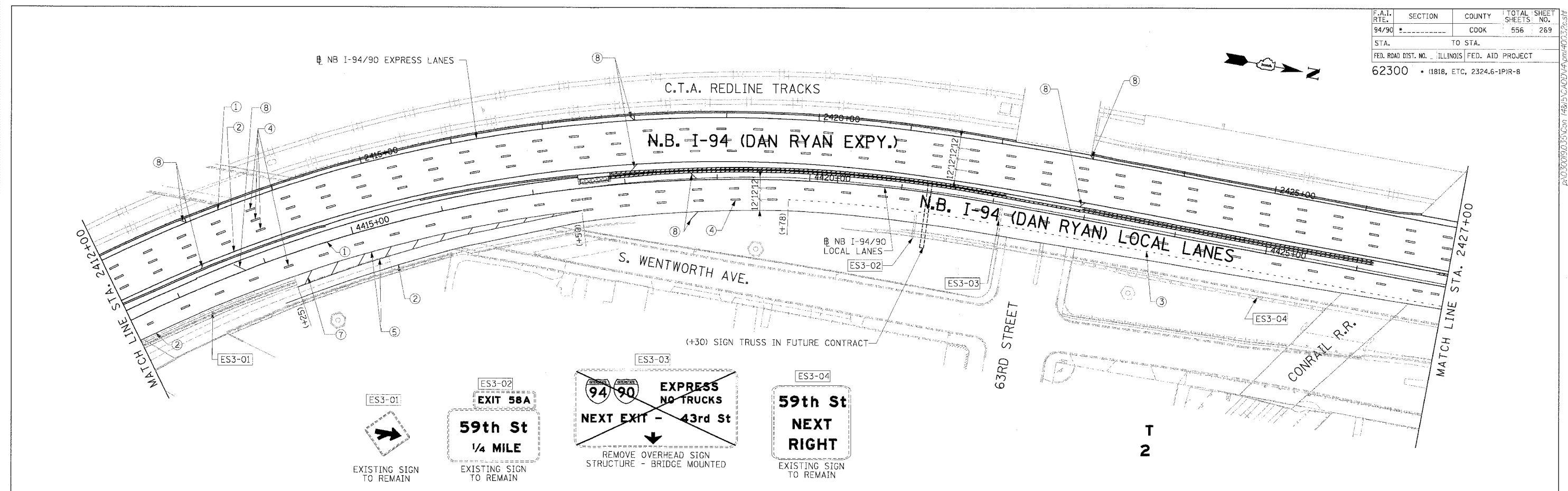
SCALE: 1"=50'
 DATE: 7/7/05

DRAWN BY: TAI
 CHECKED BY: PJM

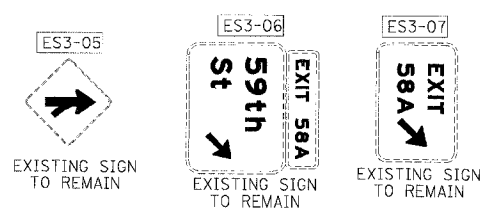
Edwards AND Kelcey
 ONE NORTH FRANKLIN
 CHICAGO, IL 60606
 PHONE: (312) 251-3000
 FAX: (312) 251-3015
 WEB: WWW.EKCORP.COM

PMK-1
 06/24/2005 12:58:01 PM

F.A.I. RTE.	SECTION	COUNTY	TOTAL SHEETS	SHEET NO.
94/90		COOK	556	269
STA.	TO STA.			
FED. ROAD DIST. NO.	ILLINOIS	FED. AID PROJECT		
62300	(1818, ETC, 2324.6-1PIR-8			



- LEGEND**
- ① LINE 4" (YELLOW EDGE LINE)
 - ② LINE 4" (WHITE EDGE LINE)
 - ③ LINE 4" (SKIP DASH, 6' SKIP - 2' DASH, WHITE)
 - ④ LINE 5" (SKIP DASH, 30' SKIP - 10' DASH, WHITE)
 - ⑤ LINE 8" (WHITE GORE LINE)
 - ⑥ LINE 8" (SKIP DASH, 12' SKIP - 3' DASH, WHITE)
 - ⑦ LINE 12" (DIAGONAL, 30' C-C)
 - ⑧ LINE 12" (DIAGONAL, 500' C-C)
 - ⑨ LETTERS AND SYMBOLS
- ESX-XX EXISTING SIGN
 TSX-XX TEMPORARY SIGN
 PSX-XX PROPOSED SIGN



STATIONING

+++ STATION PROVIDED FROM THE I-90/94 EXPRESS LANES

(+**) STATION PROVIDED FROM THE I-90/94 LOCAL LANES

NOTE:

ALL PAVEMENT MARKINGS ON THIS SHEET ARE EPOXY PAVEMENT MARKING UNLESS OTHERWISE NOTED.

REVISIONS	
NAME	DATE

ILLINOIS DEPARTMENT OF TRANSPORTATION

F.A.I. 94/90 (DAN RYAN EXPRESSWAY)

31ST STREET TO 71ST STREET

NB EXPRESS LANE RECONSTRUCTION

PROPOSED PAVEMENT MARKING AND SIGNING PLAN

NORTHBOUND STA. 2412+00 TO STA. 2442+00

SCALE: 1"=50'

DATE: 7/7/05

DRAWN BY: TAI
 CHECKED BY: PJM

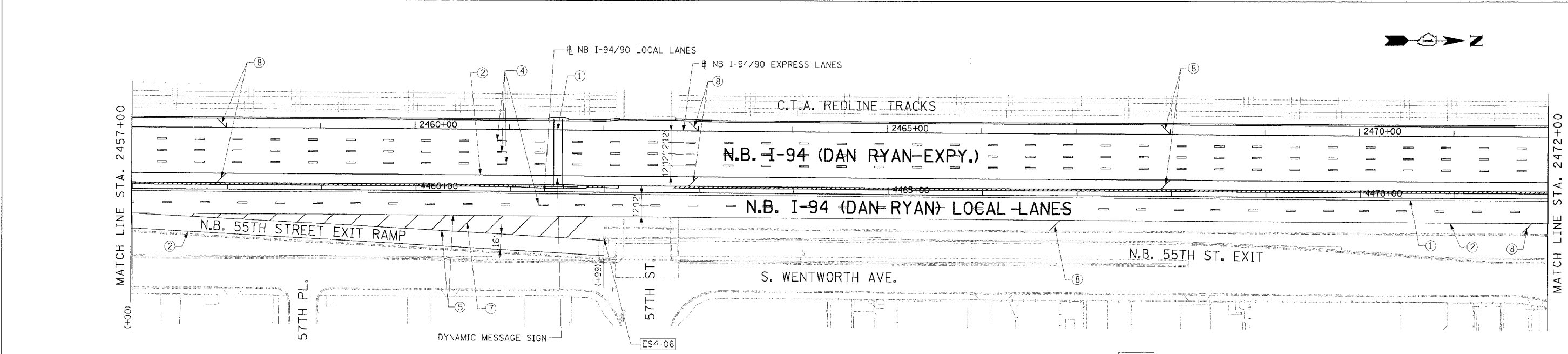
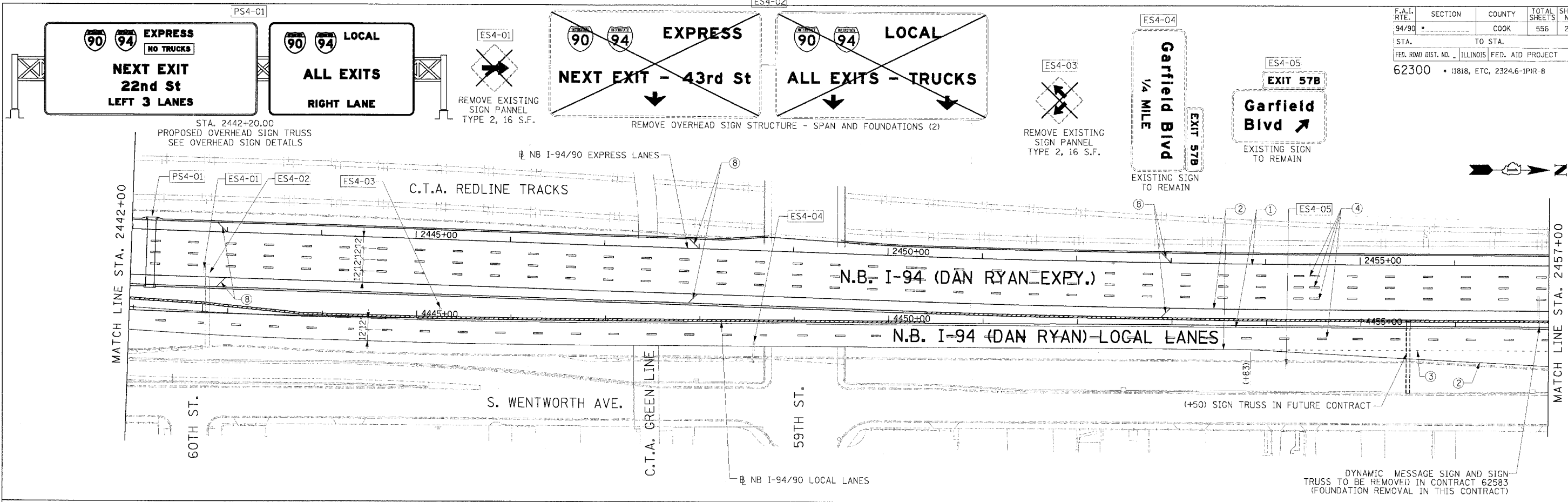
Edwards AND Kelcey

ONE NORTH FRANKLIN
 CHICAGO, IL 60606
 PHONE: (312) 251-3000
 FAX: (312) 251-3015
 WEB: WWW.EDKCORP.COM

PMK-3

06/24/2005 12:56:55 PM

F.A.I. RTE.	SECTION	COUNTY	TOTAL SHEETS	SHEET NO.
94/90		COOK	556	270
STA.	TO STA.		ILLINOIS FED. AID PROJECT	
62300			1818, ETC, 2324.6-1PR-8	



- LEGEND**
- ① LINE 4" (YELLOW EDGE LINE)
 - ② LINE 4" (WHITE EDGE LINE)
 - ③ LINE 4" (SKIP DASH, 6' SKIP - 2' DASH, WHITE)
 - ④ LINE 5" (SKIP DASH, 30' SKIP - 10' DASH, WHITE)
 - ⑤ LINE 8" (WHITE GORE LINE)
 - ⑥ LINE 8" (SKIP DASH, 12' SKIP - 3' DASH, WHITE)
 - ⑦ LINE 12" (DIAGONAL, 30' C-C)
 - ⑧ LINE 12" (DIAGONAL, 500' C-C)
 - ⑨ LETTERS AND SYMBOLS

- ESx-xx EXISTING SIGN
- TSx-xx TEMPORARY SIGN
- PSx-xx PROPOSED SIGN

STATIONING

+++ STATION PROVIDED FROM THE NB I-90/94 EXPRESS LANES

(+**) STATION PROVIDED FROM THE NB I-90/94 LOCAL LANES

NOTE:

ALL PAVEMENT MARKINGS ON THIS SHEET ARE EPOXY PAVEMENT MARKING UNLESS OTHERWISE NOTED.

Edwards AND Kelcey

ONE NORTH FRANKLIN
CHICAGO, IL 60606
PHONE: (312) 251-3000
FAX: (312) 251-3015
WEB: WWW.EKCORP.COM



REVISIONS	
NAME	DATE

ILLINOIS DEPARTMENT OF TRANSPORTATION

F.A.I. 94/90 (DAN RYAN EXPRESSWAY)
31ST STREET TO 71ST STREET
NB EXPRESS LANE RECONSTRUCTION
PROPOSED PAVEMENT MARKING
AND SIGNING PLAN

NORTHBOUND STA. 2442+00 TO STA. 2472+00

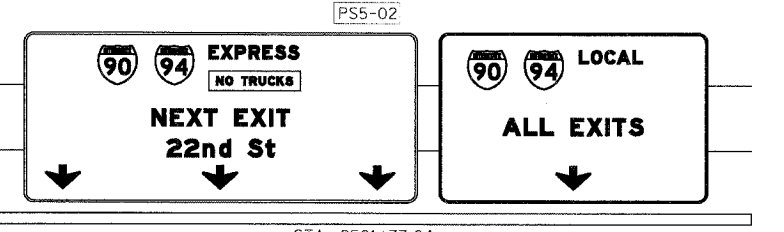
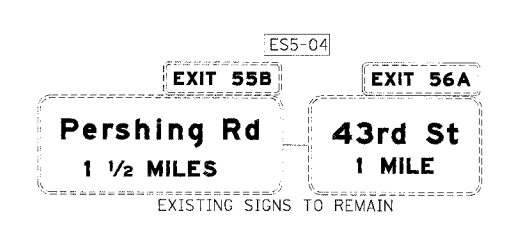
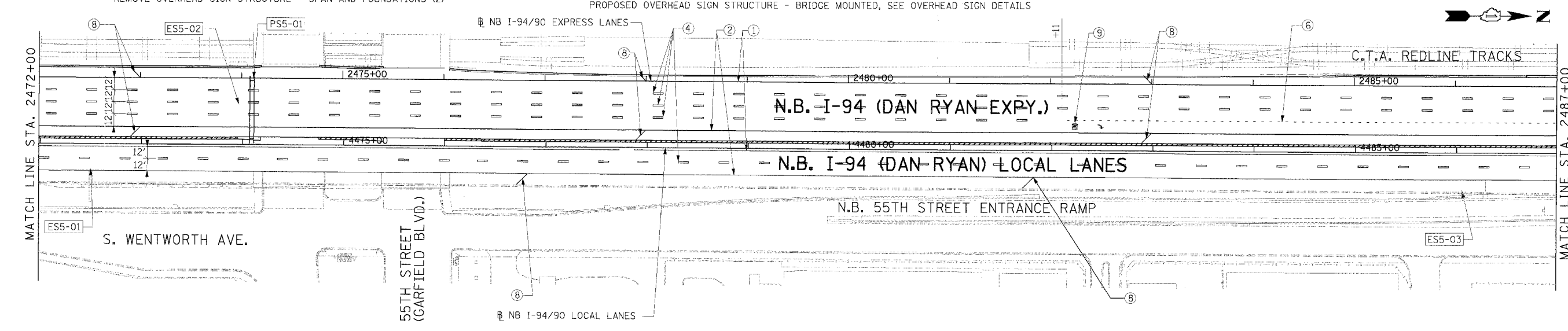
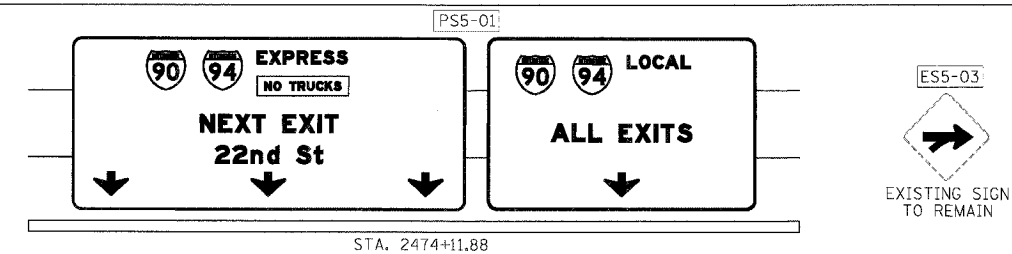
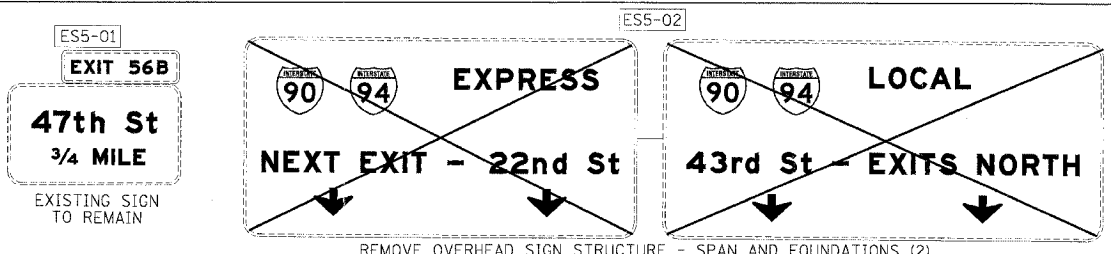
SCALE: 0" = 50' 1" = 50'

DATE: 7/7/05 DRAWN BY: TAI CHECKED BY: PJM

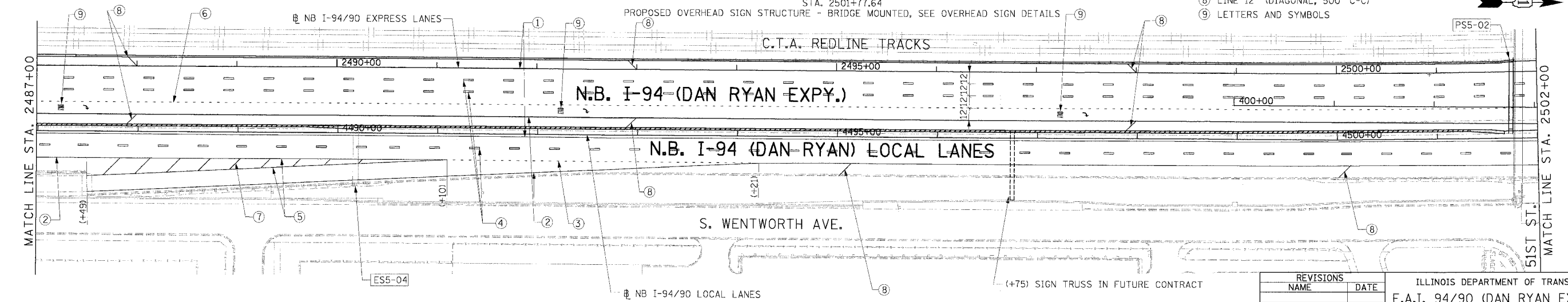
PMK-4

06/28/2005 09:16:24 AM

F.A.I. RTE.	SECTION	COUNTY	TOTAL SHEETS	SHEET NO.
94/90		COOK	556	271
FED. ROAD DIST. NO. ILLINOIS FED. AID PROJECT				
62300 • (1818, ETC, 2324.6-1P1R-8				



- LEGEND**
- ① LINE 4" (YELLOW EDGE LINE)
 - ② LINE 4" (WHITE EDGE LINE)
 - ③ LINE 4" (SKIP DASH, 6' SKIP - 2' DASH, WHITE)
 - ④ LINE 5" (SKIP DASH, 30' SKIP - 10' DASH, WHITE)
 - ⑤ LINE 8" (WHITE GORE LINE)
 - ⑥ LINE 8" (SKIP DASH, 12' SKIP - 3' DASH, WHITE)
 - ⑦ LINE 12" (DIAGONAL, 30' C-C)
 - ⑧ LINE 12" (DIAGONAL, 500' C-C)
 - ⑨ LETTERS AND SYMBOLS
- ESx-xx EXISTING SIGN
 TSx-xx TEMPORARY SIGN
 PSx-xx PROPOSED SIGN



Edwards AND Kelcey
 ONE NORTH FRANKLIN
 CHICAGO, IL 60606
 PHONE: (312) 251-3000
 FAX: (312) 251-3015
 WEB: WWW.EKCORP.COM

NOTE:
 ALL PAVEMENT MARKINGS ON THIS SHEET ARE EPOXY PAVEMENT MARKING UNLESS OTHERWISE NOTED.

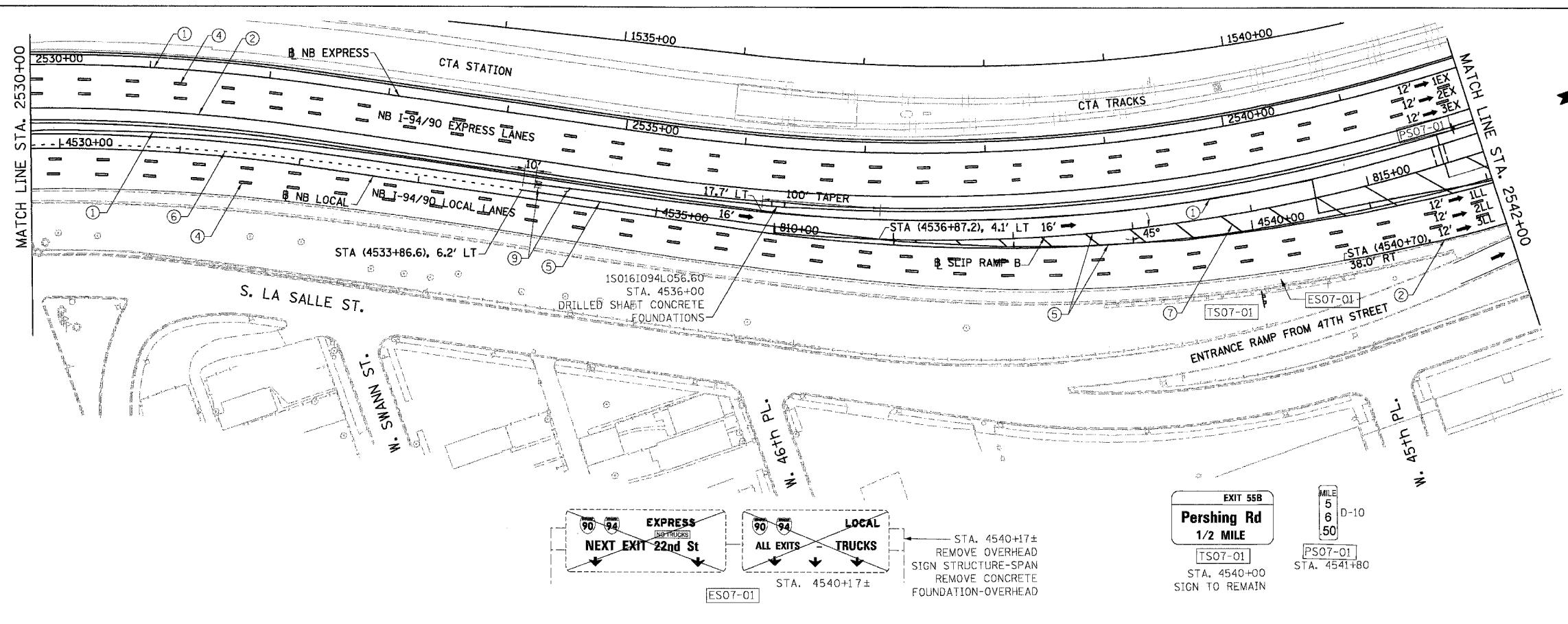
STATIONING
 +** STATION PROVIDED FROM THE NB I-90/94 EXPRESS LANES
 (+**) STATION PROVIDED FROM THE NB I-90/94 LOCAL LANES

REVISIONS	
NAME	DATE

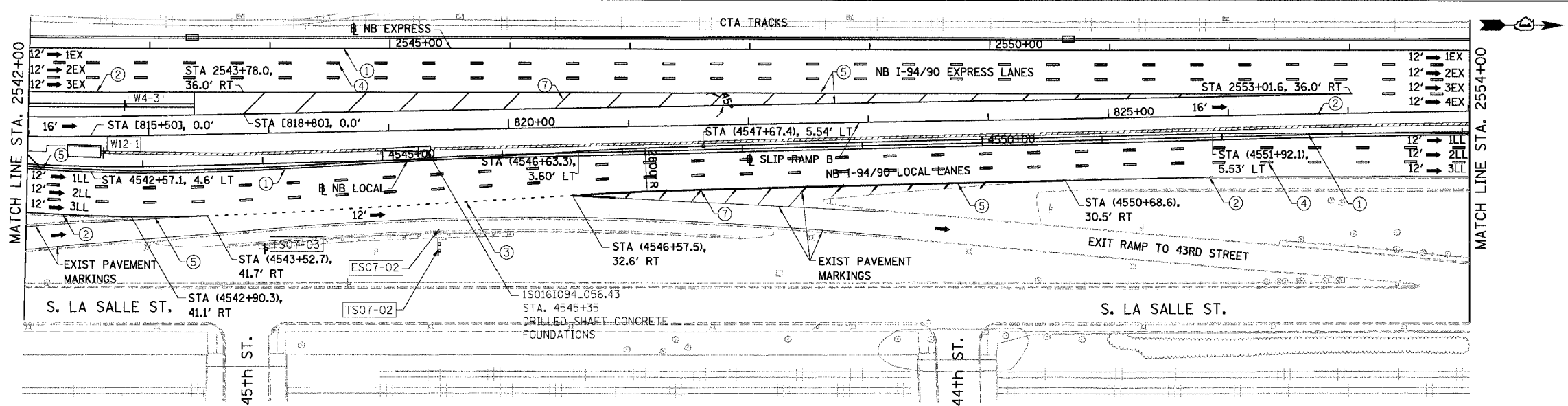
ILLINOIS DEPARTMENT OF TRANSPORTATION
 F.A.I. 94/90 (DAN RYAN EXPRESSWAY)
 31ST STREET TO 71ST STREET
 NB EXPRESS LANE RECONSTRUCTION
 AND SIGNING PLAN
 NORTHBOUND STA. 2472+00 TO STA. 2502+00
 SCALE: 1"=50'
 DATE: 7/1/05 DRAWN BY: TAI
 CHECKED BY: PJM

06/24/2005 12:59:57 PM
 P:\03001503\53\Con\14815\CAD\Drawings\940052.dwg

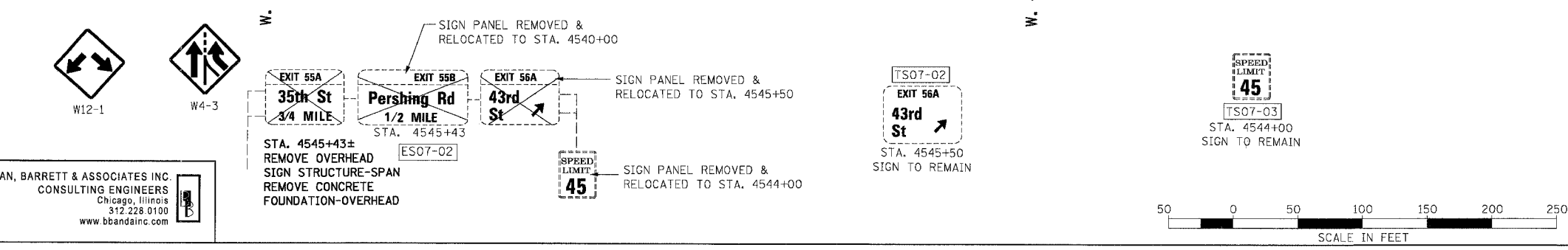
F.A.I.	SECTION	COUNTY	TOTAL SHEETS	SHEET NO.
94/90		COOK	556	273
STA. 2530+00		TO STA. 2554+00		
FED. ROAD DIST. NO.		ILLINOIS	FED. AID PROJECT	
62300		*(1818, ETC, 2324.6-1P)R-8		



- LEGEND**
- ① LINE 4" (YELLOW EDGE LINE)
 - ② LINE 4" (WHITE EDGE LINE)
 - ③ LINE 4" (SKIP DASH, 6' SKIP - 2' DASH, WHITE)
 - ④ LINE 5" (SKIP DASH, 30' SKIP - 10' DASH, WHITE)
 - ⑤ LINE 8" (WHITE CORE LINE)
 - ⑥ LINE 8" (SKIP DASH, 12' SKIP - 3' DASH, WHITE)
 - ⑦ LINE 12" (DIAGONAL, 30' C-C)
 - ⑧ LINE 12" (DIAGONAL, 500' C-C)
 - ⑨ LETTERS AND SYMBOLS
- ESx-xx EXISTING SIGNS
 TSx-xx TEMPORARY SIGNS
 PSx-xx PROPOSED SIGNS



- STATIONING**
- [+###.##] STATION PROVIDED FROM THE I-90/94 EXPRESS LANES
 - [+##.##] STATION PROVIDED FROM THE I-90/94 LOCAL LANES
 - [###.##] STATION PROVIDED FROM THE SLIP RAMP



REVISIONS	
NAME	DATE

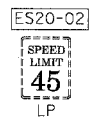
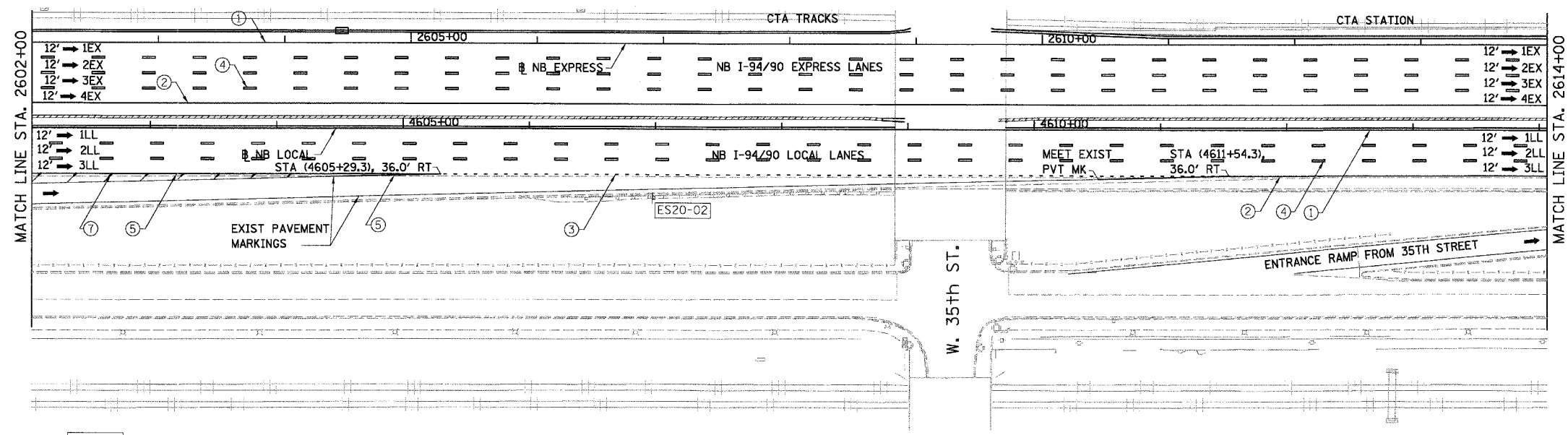
ILLINOIS DEPARTMENT OF TRANSPORTATION
 F.A.I. 94/90 (DAN RYAN EXPRESSWAY)
 31ST STREET TO 71ST STREET
 NB EXPRESS LANE RECONSTRUCTION
 PAVEMENT MARKING AND SIGNING PLAN
 NORTHBOUND STA. 2530+00 TO STA. 2554+00

SCALE: 1"=50'
 DATE: 07/07/05
 DRAWN BY: RA
 CHECKED BY: RS

BOWMAN, BARRETT & ASSOCIATES INC.
 CONSULTING ENGINEERS
 Chicago, Illinois
 312.228.0100
 www.bbainc.com

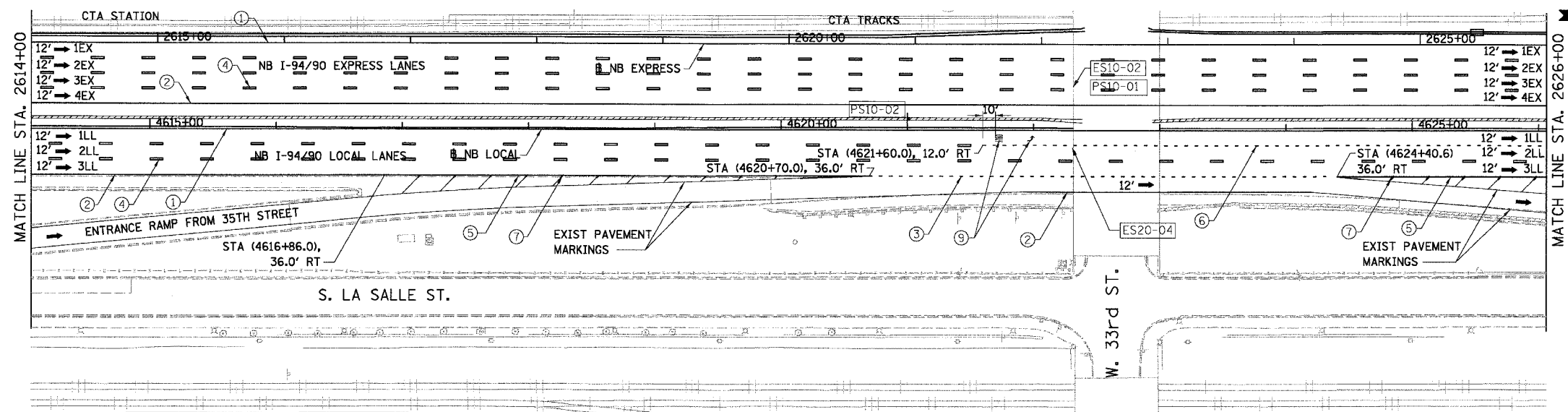
16/0824

F.A.I.	SECTION	COUNTY	TOTAL SHEETS	SHEET NO.
94/90	*	COOK	556	276
STA. 2602+00		TO STA. 2626+00		
FED. ROAD DIST. NO.	ILLINOIS	FED. AID PROJECT		
62300	*0818, ETC.	2324.6-IPR-8		



- LEGEND**
- ① LINE 4" (YELLOW EDGE LINE)
 - ② LINE 4" (WHITE EDGE LINE)
 - ③ LINE 4" (SKIP DASH, 6' SKIP - 2' DASH, WHITE)
 - ④ LINE 5" (SKIP DASH, 30' SKIP - 10' DASH, WHITE)
 - ⑤ LINE 8" (WHITE GORE LINE)
 - ⑥ LINE 8" (SKIP DASH, 12' SKIP - 3' DASH, WHITE)
 - ⑦ LINE 12" (DIAGONAL, 30' C-C)
 - ⑧ LINE 12" (DIAGONAL, 500' C-C)
 - ⑨ LETTERS AND SYMBOLS

- ESx-xx EXISTING SIGNS
- TSx-xx TEMPORARY SIGNS
- PSx-xx PROPOSED SIGNS



STATIONING

+++ STATION PROVIDED FROM THE I-90/94 EXPRESS LANES

(+.,.) STATION PROVIDED FROM THE I-90/94 LOCAL LANES

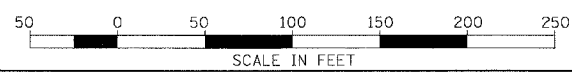
[+.,.] STATION PROVIDED FROM THE SLIP RAMP



NOTE:

ALL PAVEMENT MARKINGS ON THIS SHEET WILL BE EPOXY PAVEMENT MARKING, UNLESS OTHERWISE NOTED.

REVISIONS		ILLINOIS DEPARTMENT OF TRANSPORTATION F.A.I. 94/90 (DAN RYAN EXPRESSWAY) 31ST STREET TO 71ST STREET NB EXPRESS LANE RECONSTRUCTION PAVEMENT MARKING AND SIGNING PLAN NORTHBOUND STA. 2602+00 TO STA. 2626+00
NAME	DATE	
		SCALE: 1"=50'
		DATE: 07/07/05
		DRAWN BY: RA
		CHECKED BY: RS



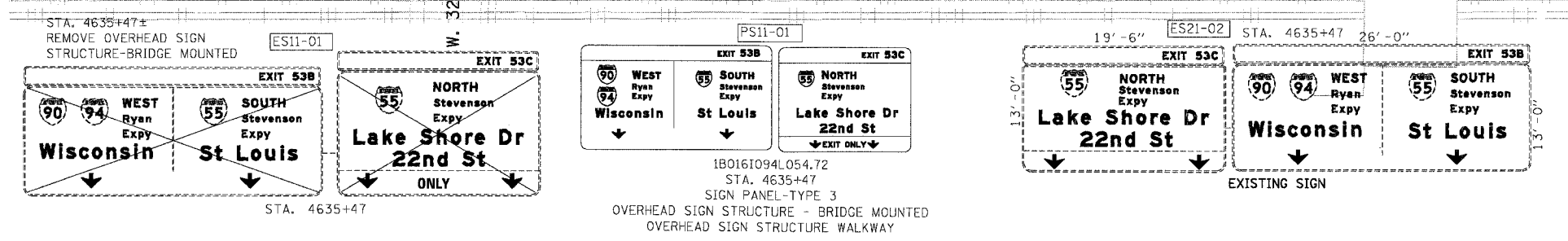
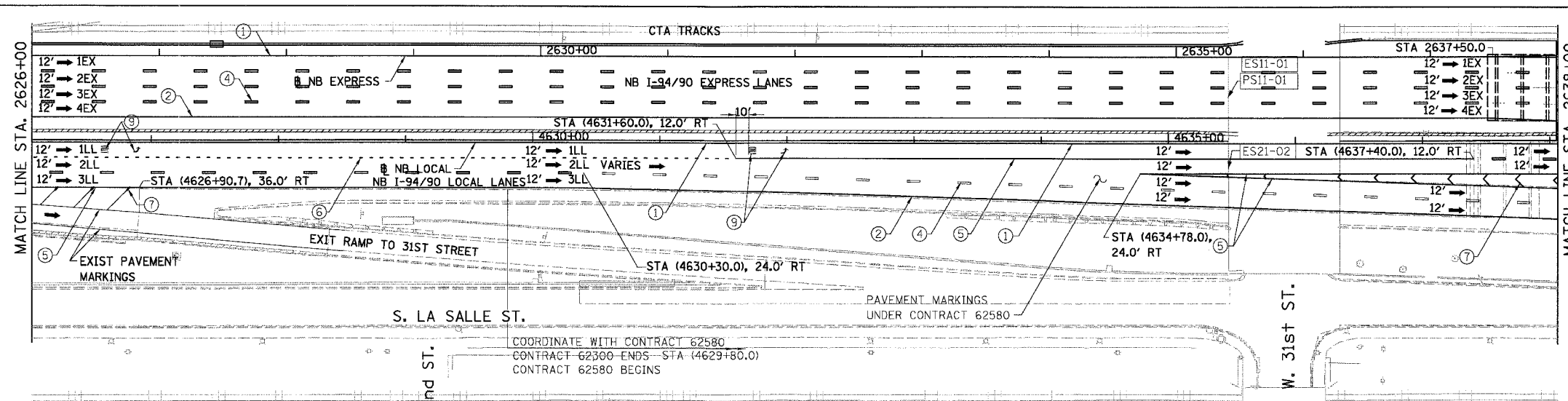
BOWMAN, BARRETT & ASSOCIATES INC
CONSULTING ENGINEERS
Chicago, Illinois
312.228.0100
www.bbainc.com

180161094L054.97
STA. 4622+31
SIGN PANEL-TYPE 3
OVERHEAD SIGN STRUCTURE - BRIDGE MOUNTED
OVERHEAD SIGN STRUCTURE WALKWAY

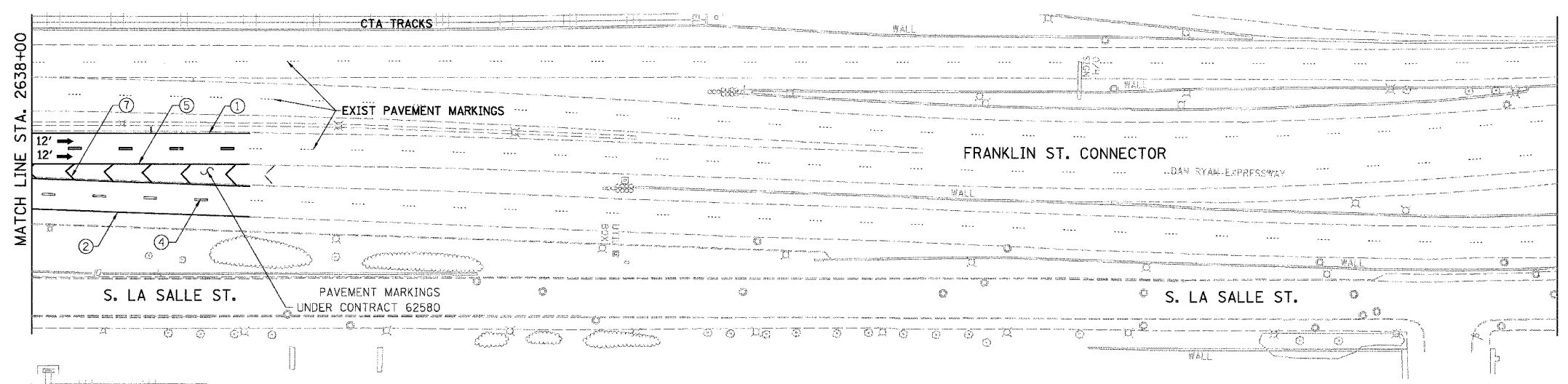
STA. 4622+31±
REMOVE OVERHEAD SIGN
STRUCTURE-BRIDGE MOUNTED

6/24/2005 11:01:57 AM

F.A.I.	SECTION	COUNTY	TOTAL SHEETS	SHEET NO.
94/90		COOK	556	277
STA.	TO STA.			
62300	*1818, ETC, 2324.6-1P1R-8			



- LEGEND**
- ① LINE 4" (YELLOW EDGE LINE)
 - ② LINE 4" (WHITE EDGE LINE)
 - ③ LINE 4" (SKIP DASH, 6' SKIP - 2' DASH, WHITE)
 - ④ LINE 5" (SKIP DASH, 30' SKIP - 10' DASH, WHITE)
 - ⑤ LINE 8" (WHITE GORE LINE)
 - ⑥ LINE 8" (SKIP DASH, 12' SKIP - 3' DASH, WHITE)
 - ⑦ LINE 12" (DIAGONAL, 30' C-C)
 - ⑧ LINE 12" (DIAGONAL, 500' C-C)
 - ⑨ LETTERS AND SYMBOLS
- [ESx-xx] EXISTING SIGNS
 [TSx-xx] TEMPORARY SIGNS
 [PSx-xx] PROPOSED SIGNS



STATIONING

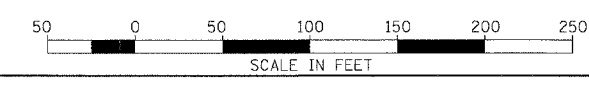
+**.**. STATION PROVIDED FROM THE I-90/94 EXPRESS LANES
 (+**.**.) STATION PROVIDED FROM THE I-90/94 LOCAL LANES
 [**.**.] STATION PROVIDED FROM THE SLIP RAMP

NOTE:
ALL PAVEMENT MARKINGS ON THIS SHEET WILL BE EPOXY PAVEMENT MARKING, UNLESS OTHERWISE NOTED.

REVISIONS	NAME	DATE

ILLINOIS DEPARTMENT OF TRANSPORTATION
 F.A.I. 94/90 (DAN RYAN EXPRESSWAY)
 31ST STREET TO 71ST STREET
 NB EXPRESS LANE RECONSTRUCTION
 PAVEMENT MARKING AND SIGNING PLAN
 NORTHBOUND STA. 2626+00 TO STA.

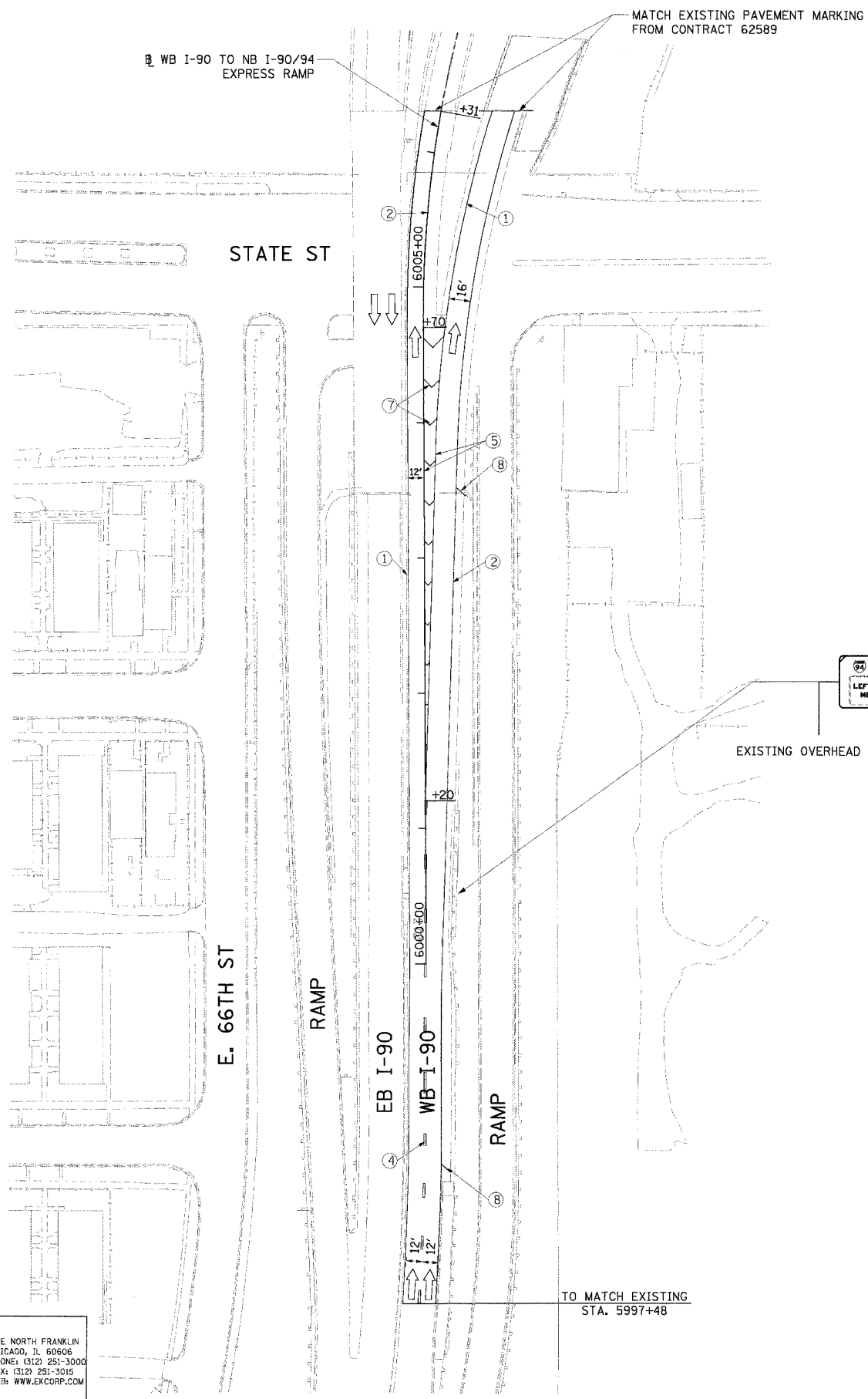
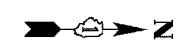
SCALE: 1"=50'
 DATE: 07/07/05
 DRAWN BY: RA
 CHECKED BY: RS





BOWMAN, BARRETT & ASSOCIATES INC.
 CONSULTING ENGINEERS
 Chicago, Illinois
 312.228.0100
 www.bbainc.com


PMK-11
 6/24/2005

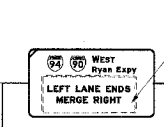
F.A.I. RTE.	SECTION	COUNTY	TOTAL SHEETS	SHEET NO.
94/90	*	COOK	556	278
STA.	TO STA.			
FED. ROAD DIST. NO.	ILLINOIS FED. AID PROJECT			
62300	• (1818, ETC, 2324.6-1PIR-8			



 REMOVE EXISTING SIGN PANEL TYPE II
2600' UPSTREAM FROM START PAVEMENT MARKING
W20-5(0)-48

 REMOVE EXISTING SIGN PANEL TYPE II
1500' UPSTREAM FROM START OF PAVEMENT MARKING
W4-2L(0)-48

 EXISTING SIGN TO REMAIN
500' UPSTREAM FROM START
OF PAVEMENT MARKING
R2-1

 REMOVE EXISTING SIGN
PANEL OVERLAY TYPE III

EXISTING OVERHEAD SIGN STRUCTURE - TUBULAR

LEGEND

- ① LINE 4" (YELLOW EDGE LINE)
 - ② LINE 4" (WHITE EDGE LINE)
 - ③ LINE 4" (SKIP DASH, 6' SKIP - 2' DASH, WHITE)
 - ④ LINE 5" (SKIP DASH, 30' SKIP - 10' DASH, WHITE)
 - ⑤ LINE 8" (WHITE GORE LINE)
 - ⑥ LINE 8" (SKIP DASH, 12' SKIP - 3' DASH, WHITE)
 - ⑦ LINE 12" (DIAGONAL, 30' C-C)
 - ⑧ LINE 12" (DIAGONAL, 500' C-C)
 - ⑨ LETTERS AND SYMBOLS
- ESX-xx EXISTING SIGN
TSX-xx TEMPORARY SIGN
PSX-xx PROPOSED SIGN

NOTE:

ALL PAVEMENT MARKINGS ON THIS SHEET ARE EPOXY PAVEMENT MARKING UNLESS OTHERWISE NOTED.

Edwards AND Kelcey
 ONE NORTH FRANKLIN
 CHICAGO, IL 60606
 PHONE: (312) 251-3000
 FAX: (312) 251-3015
 WEB: WWW.EKCORP.COM

REVISIONS	
NAME	DATE

ILLINOIS DEPARTMENT OF TRANSPORTATION
 F.A.I. 94/90 (DAN RYAN EXPRESSWAY)
 31ST STREET TO 71ST STREET
 NB EXPRESS LANE RECONSTRUCTION
 PAVEMENT MARKING AND
 PROPOSED SIGNING PLAN

SCALE: 1"=50'
 DATE: 7/7/05

DRAWN BY: MJP
 CHECKED BY: TAI

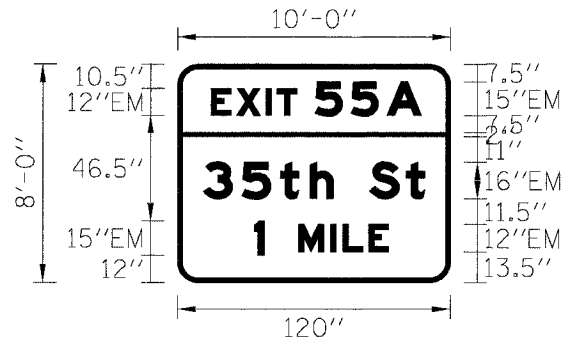
PMK-12

06/24/2005 01:00:58 PM

F.A.I. SECTION	COUNTY	TOTAL SHEETS	SHEET NO.
94/90 *	COOK	556	283
STA. TO STA.			
FED. ROAD DIST. NO. 1 ILLINOIS		FED. AID PROJECT	

62300 *1818, ETC., 2324.6-1PR-8

SIGN DETAIL
1:100



SIGN NUMBER	TIS4528+50
WIDTH x HGHT.	10'-0" x 8'-0"
BORDER WIDTH	2"
CORNER RADIUS	9"
MOUNTING	Ground Mount
BACKGROUND	TYPE: Reflective COLOR: Green
LEGEND/BORDER	TYPE: Reflective COLOR: White

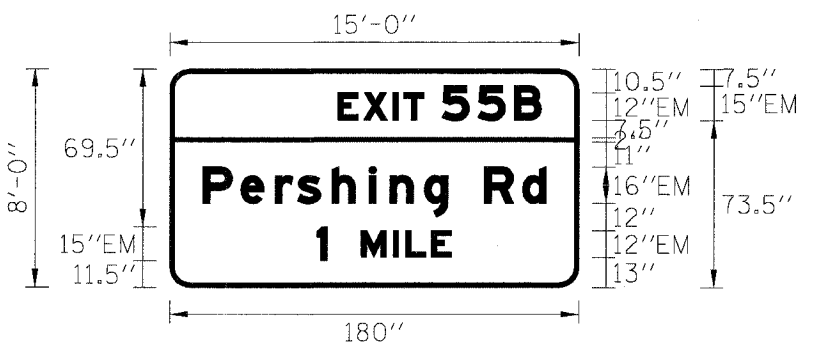
SYMBOL	X	Y	WID	HT

Panel Style:guide_exp_advance_b.ssi
Dimensions are in inches,tenths

Letter locations are panel edge to lower left corner

LETTER POSITIONS (X)										LENGTH	SERIESSIZE	
E	X	I	T	5	5	A						EM12,EM15
14.7	26	38.8	43.6	60.4	76.3	92.1						92.4
3	5	t	h		S	t						EM1612
11.4	28.2	45.2	58.2	68.5	84.5	100.6						97.3
1	M	I	L	E								EM15,EM12
33.6	53.2	67.3	72.8	84								59.1

SIGN DETAIL
1:100



SIGN NUMBER	TIS4515+00
WIDTH x HGHT.	15'-0" x 8'-0"
BORDER WIDTH	2"
CORNER RADIUS	9"
MOUNTING	Ground Mount
BACKGROUND	TYPE: Reflective COLOR: Green
LEGEND/BORDER	TYPE: Reflective COLOR:White

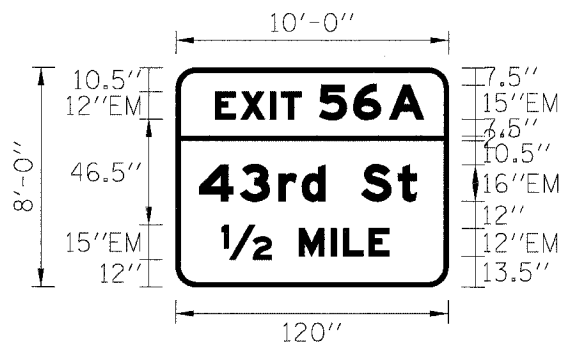
SYMBOL	X	Y	WID	HT

Panel Style:guide_exp_advance_b.ssi
Dimensions are in inches,tenths

Letter locations are panel edge to lower left corner

LETTER POSITIONS (X)										LENGTH	SERIESSIZE	
E	X	I	T	5	5	B						EM12,EM15
74	85.3	98.1	103	119.8	135.6	151.4						89.4
P	e	r	s	h	i	n	g		R	d		EM1612
14.6	31.2	46.5	56.3	71.4	87.6	96.9	112	122.3	138.3	155.2		150.8
1	M	I	L	E								EM15,EM12
64.8	84.3	98.4	103.8	115.1								59.1

SIGN DETAIL
1:100



SIGN NUMBER	TIS4519+00
WIDTH x HGHT.	10'-0" x 8'-0"
BORDER WIDTH	2"
CORNER RADIUS	9"
MOUNTING	Ground Mount
BACKGROUND	TYPE: Reflective COLOR: Green
LEGEND/BORDER	TYPE: Reflective COLOR: White

SYMBOL	X	Y	WID	HT

Panel Style:guide_exp_advance_b.ssi
Dimensions are in inches,tenths

Letter locations are panel edge to lower left corner

LETTER POSITIONS (X)										LENGTH	SERIESSIZE	
E	X	I	T	5	6	A						EM12,EM15
17.4	28.7	41.5	46.3	63.1	78.2	94.1						91.7
4	3	r	d		S	t						EM1612
10.4	28.4	45.3	55.5	65.7	81.7	97.9						95.6
1	M	I	L	E								EM15,EM12
20.2	54.2	68.3	73.7	85								73.6

SGN-05

REVISIONS	
NAME	DATE

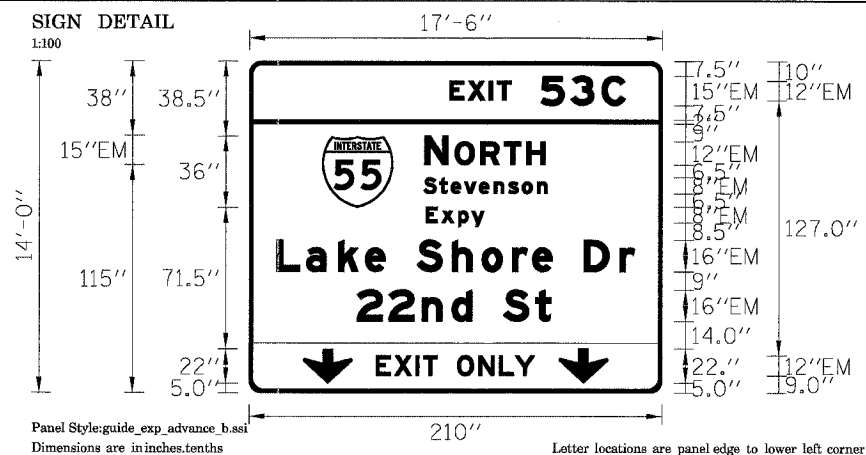
ILLINOIS DEPARTMENT OF TRANSPORTATION
F.A.I. 94/90 (DAN RYAN EXPRESSWAY)
31ST STREET TO 71ST STREET
NB EXPRESS LANE RECONSTRUCTION
TEMPORARY INFORMATION SIGNING
PANEL DETAILS



SCALE: NONE
DATE: 06-10-05
DRAWN BY: MD
CHECKED BY: MSA

6/24/2005 11:05:43 AM

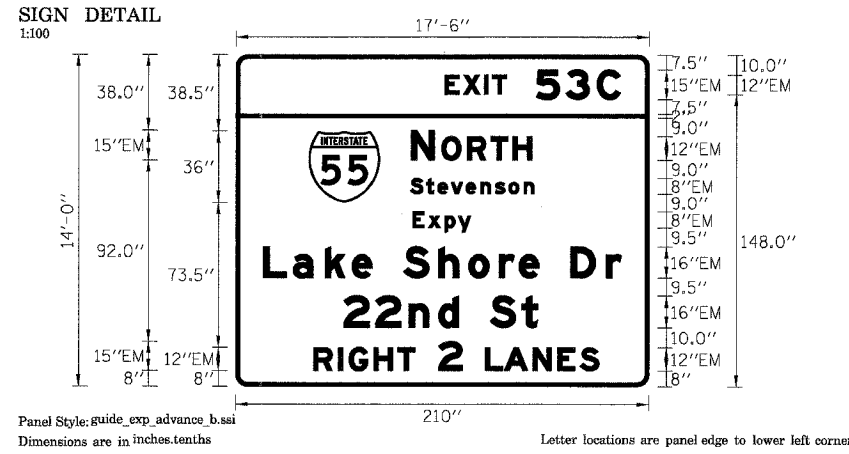
F.A.I. RTE.	SECTION	COUNTY	TOTAL SHEETS	SHEET NO.
94/90	*	COOK	556	285
STA.		TO STA.		
FED. ROAD DIST. NO. 1		ILLINOIS FED. AID PROJECT		
62300		*1818, ETC, 2324.6-1PR-8		



SIGN NUMBER	1S0161094L054.97(R)
WIDTH x HGHT.	17'-6" x 14'-0"
BORDER WIDTH	2"
CORNER RADIUS	9"
MOUNTING	Overhead
BACKGROUND	TYPE: Reflective COLOR: Green/Yellow
LEGEND/BORDER	TYPE: Reflective COLOR: White /Black

SYMBOL	X	Y	WID	HT
MI_1	37	95.8	36	36
ARDOWN	27.5	4.9	32	22
ARDOWN	157.4	5.1	32	22

LETTER POSITIONS (X)										LENGTH	SERIESIZE			
E	X	I	T	S	S	C					EM10,EM15			
101.7	111.1	121.7	125.8	148.1	163.2	179.1				89.4				
N	O	R	T	H							EM15,EM12			
89	104.4	117.4	129.5	140.8						61.3				
S	t	e	v	e	n	s	o	n			EM86			
88.6	96.6	102.5	109.3	116.8	124.4	131.8	138.6	146.3		62.9				
E	x	p	y								EM86			
89.9	97.7	106.3	112.9							29.5				
L	a	k	e	S	h	o	r	e	D	r		EM1612		
14	29	45.3	58.9	69.2	85.2	103.1	118.2	133.7	143.9	154.1	170.1	188.2	182.1	
2	2	n	d	S	t									EM1612
54.8	70.9	87.9	103	113.3	129.3	145.4							98.6	
E	X	I	T	O	N	L	Y							EM12
64.6	74	84.7	88.5	95.9	105.9	116.7	127.3	135.3					80.6	

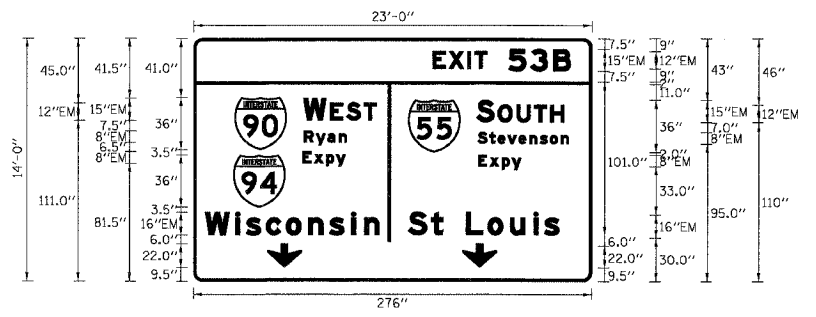


SIGN NUMBER	1S0161094I055.73(R)
WIDTH x HGHT.	17'-6" x 14'-0"
BORDER WIDTH	2"
CORNER RADIUS	9"
MOUNTING	Overhead
BACKGROUND	TYPE: Reflective COLOR: Green
LEGEND/BORDER	TYPE: Reflective COLOR: White

SYMBOL	X	Y	WID	HT
MI_1	37	93.4	36	36

LETTER POSITIONS (X)										LENGTH	SERIESIZE			
E	X	I	T	S	S	C					EM10,EM15			
106.1	115.5	126.1	130.2	152.5	167.6	183.5				89.4				
N	O	R	T	H							EM15,EM12			
89	104.4	117.4	129.5	140.8						61.3				
S	t	e	v	e	n	s	o	n			EM86			
88.6	96.6	102.5	109.3	116.8	124.4	131.8	138.6	146.3		62.9				
E	x	p	y								EM86			
89.9	97.7	106.3	112.9							29.5				
L	a	k	e	S	h	o	r	e	D	r		EM1612		
14	29	45.3	58.9	69.2	85.2	103.1	118.2	133.7	143.9	154.1	170.1	188.2	182.1	
2	2	n	d	S	t									EM1612
54.8	70.9	87.9	103	113.3	129.3	145.4							98.6	
R	I	G	H	T	2	L	A	N	E	S				EM12,EM15.1
39.4	52.1	57.5	70.1	82.2	103	126.9	136.5	151	163.6	174.9			145.3	

SIGN DETAIL 1:75



SIGN NUMBER	1S0161094L054.72(L)
WIDTH x HGHT.	23'-0" x 14'-0"
BORDER WIDTH	2"
CORNER RADIUS	9"
MOUNTING	Overhead
BACKGROUND	TYPE: Reflective COLOR: Green
LEGEND/BORDER	TYPE: Reflective COLOR: White

SYMBOL	X	Y	WID	HT
MI_1	28.4	91	36	36
MI_1	148.7	89.2	36	36
MI_1	27.5	51.3	36	36
ARDOWN	51	9.4	32	22
ARDOWN	186.3	8.1	32	22

Panel Style:guide_exp_advance_b.ssi
Dimensions are in inches,tenths

Letter locations are panel edge to lower left corner

LETTER POSITIONS (X)										LENGTH	SERIESIZE
E	X	I	T	S	S	B					EM12,EM15
165.5	176.8	189.6	194.5	218.3	233.4	249.2				95.7	
W	E	S	T								EM15,EM12
76.1	94.6	105.9	118							50.7	
S	O	U	T	H							EM15,EM12
196	210.8	223.8	235.8	247.1						60.7	
R	y	a	n								EM86
76.5	84.8	92.8	101							29.6	
S	t	e	v	e	n	s	o	n			EM86
196.9	205	210.8	217.6	225.1	232.8	240.1	247	254.7		62.9	
E	x	p	y								EM86
75.6	83.5	92	98.7							29.5	
E	x	p	y								EM86
197.4	205.2	213.8	220.4							29.5	
W	i	s	c	o	n	s	i	n			EM1612
8	29	36.6	50.2	64.1	79.6	94.3	109.3	118.5		120.7	
S	t	L	o	u	i	s					EM1612
148.7	164.8	172.9	188.9	203.9	219.3	235.6	243.2			104.7	



REVISIONS	
NAME	DATE

ILLINOIS DEPARTMENT OF TRANSPORTATION
 F.A.I. 94/90 (DAN RYAN EXPRESSWAY)
 31ST STREET TO 71ST STREET
 NB EXPRESS LANE RECONSTRUCTION

SIGN PANEL DETAILS

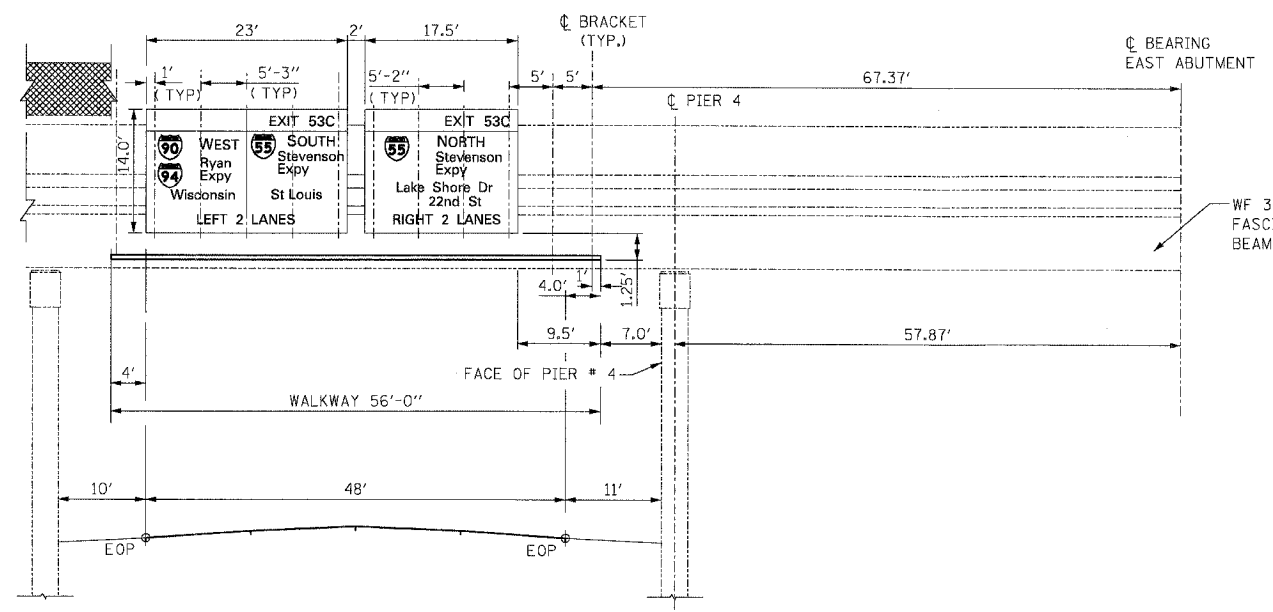
SCALE: NONE
 DATE: 07/07/05

DRAWN BY: MD
 CHECKED BY: MSA

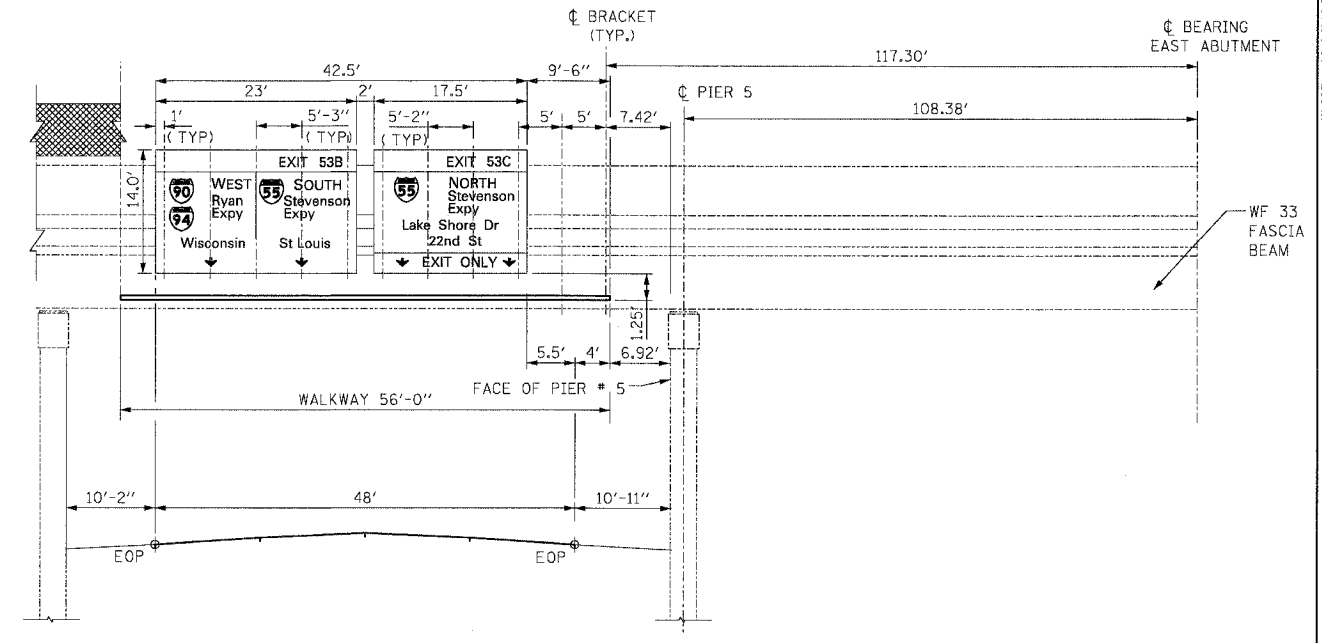
SGN-07

n:\660\road\94\90\1\A\sign\sgn-07.dwg 1/6/05 3:22 AM 6/24/2005

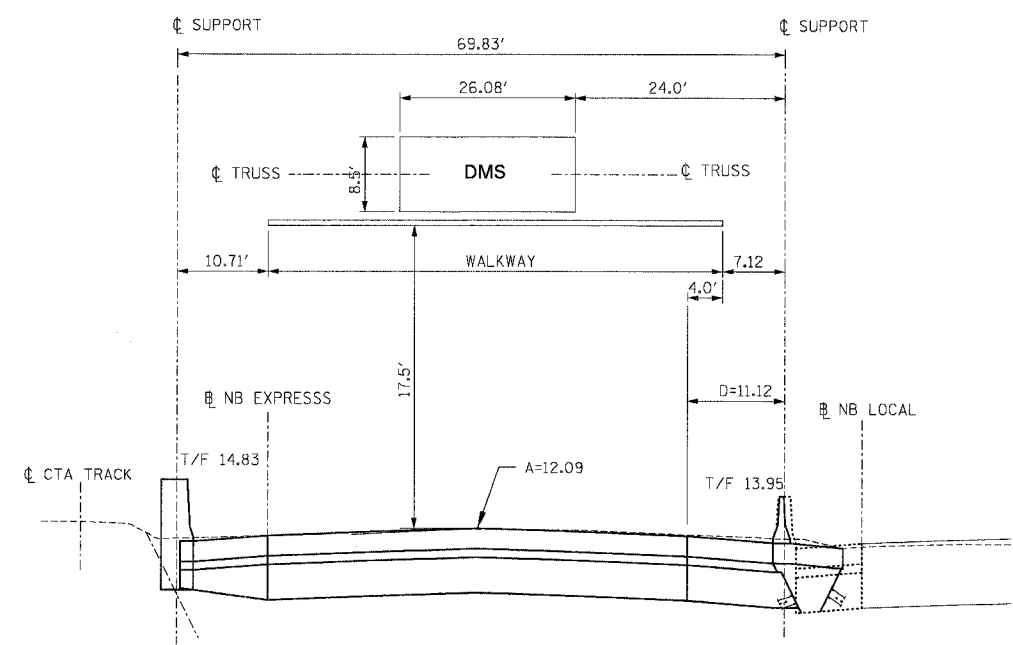
F.A.I. RTE.	SECTION	COUNTY	TOTAL SHEETS	SHEET NO.
94/90 *		COOK	556	287
STA.	TO STA.			
FED. ROAD DIST. NO. 1 ILLINOIS FED. AID PROJECT				
62300 *1818, ETC, 2324.6-1PIR-8				



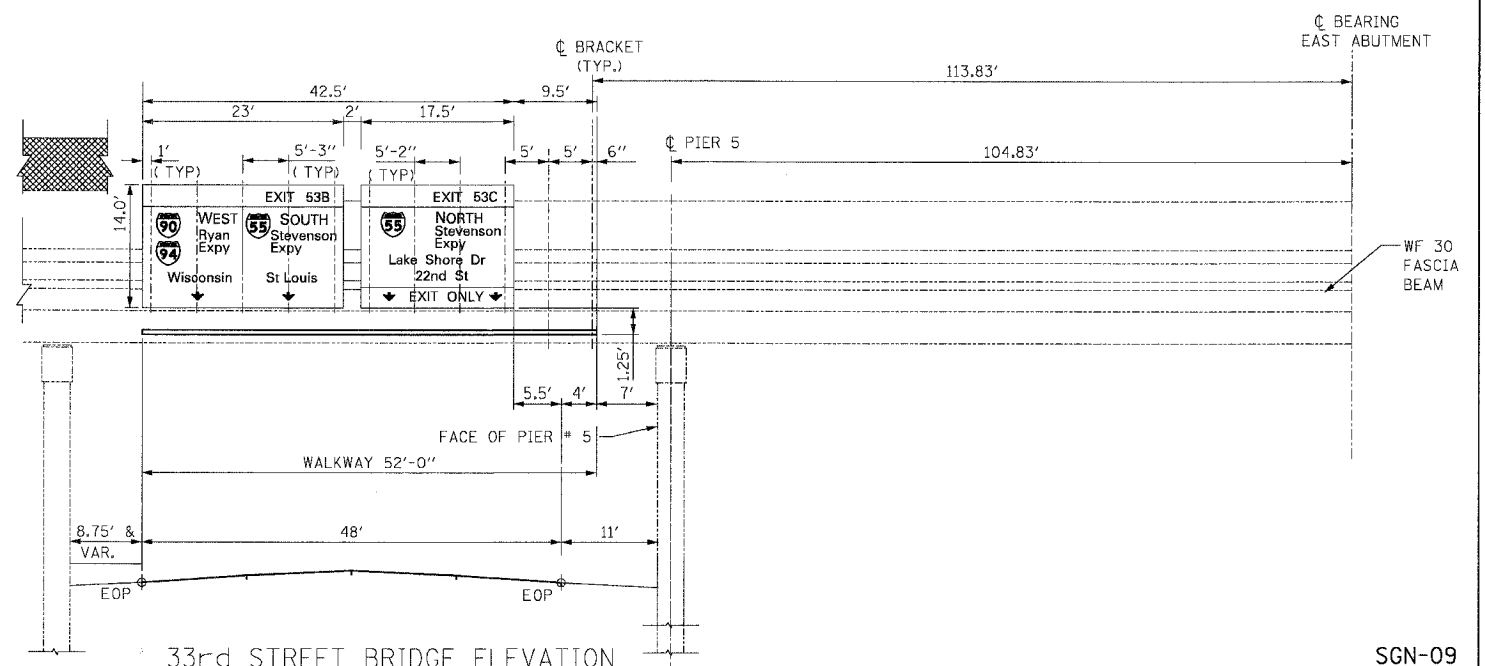
PERSHING ROAD (39TH ST) BRIDGE ELEVATION
 EXPRESS LANES NORTH BOUND
 1B016I094L055.73
 STA. 4582+26±



31st STREET BRIDGE ELEVATION
 EXPRESS LANES NORTH BOUND
 1B016I094L054.72
 STA. 4635+47±



1S016I094R055.41
 STA. 4598+65 (STA. 2598+58.71)
 I-94/90 NB LOOKING NORTH



33rd STREET BRIDGE ELEVATION
 EXPRESS LANES NORTH BOUND
 1B016I094L054.97
 STA. 4622+31±

REVISIONS	
NAME	DATE

ILLINOIS DEPARTMENT OF TRANSPORTATION
 F.A.I. 94/90 (DAN RYAN EXPRESSWAY)
 31ST STREET TO 71ST STREET
 NB EXPRESS LANE RECONSTRUCTION
 SIGN PLACEMENT DETAILS

SCALE: NONE
 DATE: 07/07/05

DRAWN BY: MD
 CHECKED BY: MSA

K&E KAM ENGINEERING, INC.
 CONSULTING ENGINEERS
 707A Davis Road, Suite 205
 Elgin, Illinois 60123-1369

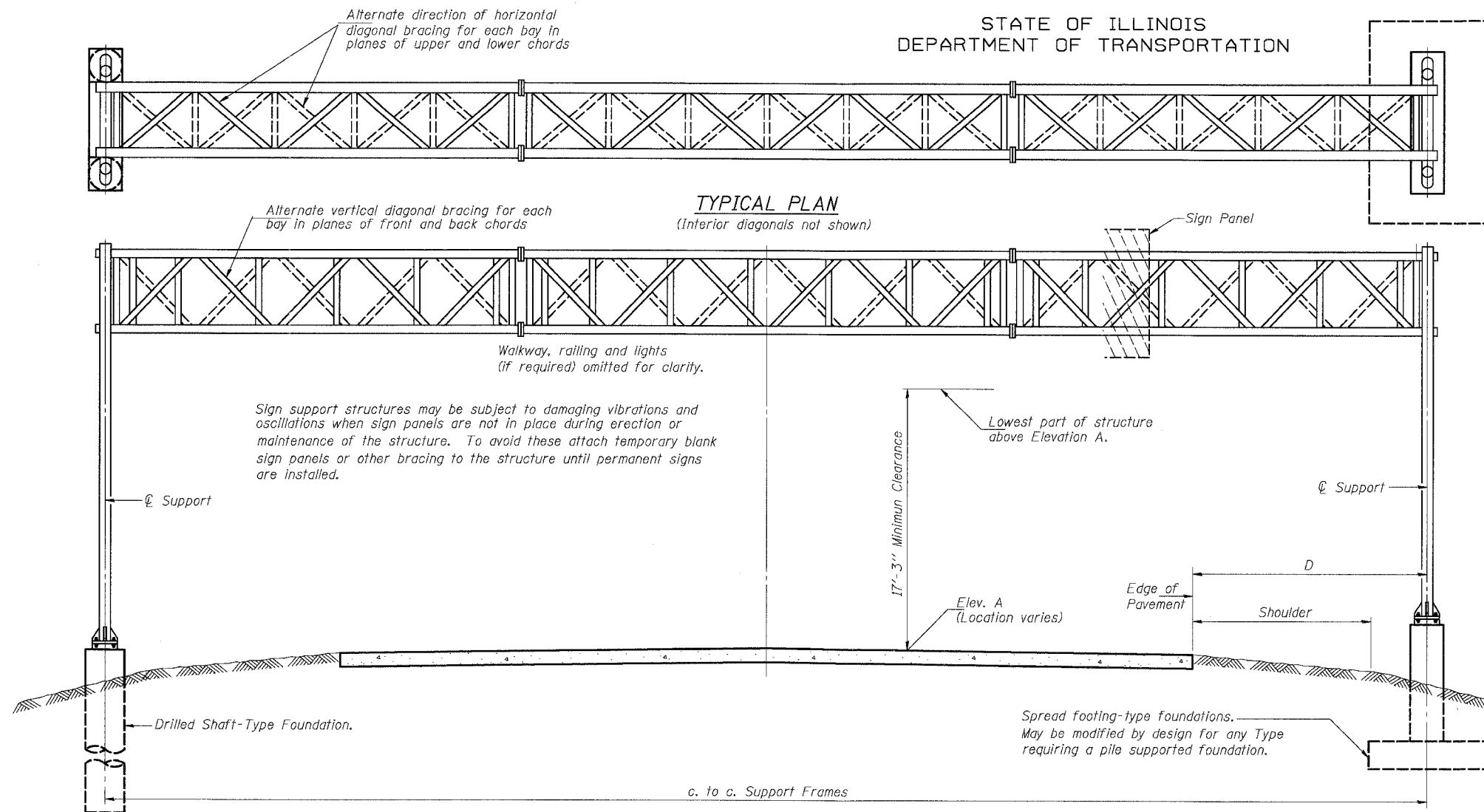
6/27/2005 6:52:39 PM

STATE OF ILLINOIS
DEPARTMENT OF TRANSPORTATION

ROUTE NO.	SECTION	COUNTY	TOTAL SHEETS	SHEET NO.
94/90	*	COOK	556	288
FED. ROAD DIST. NO. 1	ILLINOIS	FED. AID PROJECT-		
62300 •(1818, ETC., 2324.6-1P)R-8				

GENERAL NOTES

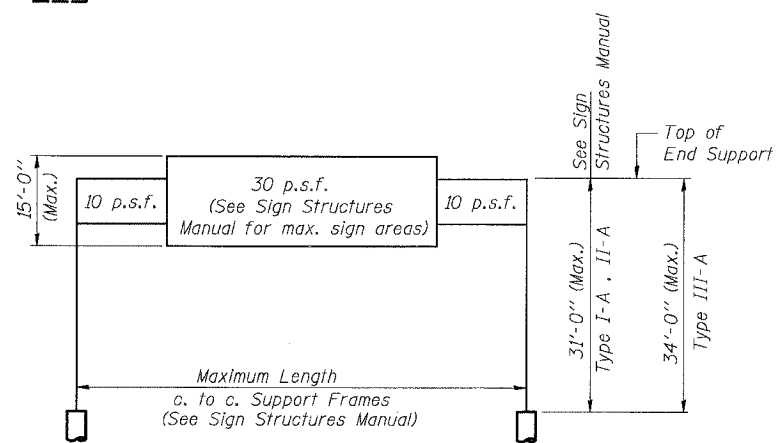
- DESIGN: AASHTO Standard Specifications for Structural Supports for Highway Signs, Luminaires and Traffic Signals. ("AASHTO Specifications")
- CONSTRUCTION: Current (at time of letting) Illinois Department of Transportation Standard Specifications for Road and Bridge Construction, Supplemental Specifications and Special Provisions. ("Standard Specifications")
- LOADING: 90 M.P.H. WIND VELOCITY
WIND LOADING: 30 p.s.f. normal to Sign Panel Area and truss elements not behind sign Loading Diagram.
WALKWAY LOADING: Dead load plus 500 lbs. concentrated live load.
- DESIGN STRESSES:
Field Units
 $f' = 3,500$ p.s.i.
 $f_y = 60,000$ p.s.i. (reinforcement)
- WELDING: All welds to be continuous unless otherwise shown. All welding to be done in accordance with current AWS D1.1 and D1.2 Structural Welding Codes (Steel and Aluminum) and the Standard Specifications.
- MATERIALS: Aluminum Alloys as shown throughout plans. All Structural Steel Pipe shall be ASTM A53 Grade B with a minimum yield of 35,000 p.s.i., or A500 Grade B or C with a minimum yield of 46,000 p.s.i. If A500 pipe is substituted for A53, then the outside diameter shall be as detailed and wall thickness greater than or equal to A53.
All Structural Steel Plates and Shapes shall conform to AASHTO M270 Gr. 36, Gr. 50 or Gr. 50W*. Stainless steel for shims, sleeves and handhole covers shall be ASTM A240, Type 302 or 304, or another alloy suitable for exterior exposure and acceptable to the Engineer.
The steel pipe and stiffening ribs at the base plate for the column shall have a minimum longitudinal Charpy V-Notch (CVN) energy of 15 lb.-ft. at 40° F. (Zone 2) before galvanizing.
- FASTENERS FOR ALUMINUM TRUSSES: All bolts noted as "high strength" must satisfy the requirements of AASHTO M164 (ASTM A325), or approved alternate, and must have matching lock nuts. Threaded studs for splices (if Members Interfere) must satisfy the requirements of ASTM A449, ASTM A193, Grade B7, or approved alternate, and must have matching lock nuts. Bolts and lock nuts not required to be high strength must satisfy the requirements of ASTM A307. All bolts and lock nuts must be hot dip galvanized per AASHTO M232. The lock nuts must have nylon or steel inserts. A stainless steel flat washer conforming to ASTM A240 Type 302 or 304, is required under both head and nut or under both nuts where threaded studs are used. High strength bolt installation shall conform to Article 505.04(f) of the IDOT Standard Specifications for Road and Bridge Construction. Rotational capacity ("ROCAP") testing of bolts will not be required.
- U-BOLTS AND EYEBOLTS: U-Bolts and Eyebolts must be produced from ASTM A276 Type 304, 304L, 316 or 316L, Condition A, cold finished stainless steel, or an equivalent material acceptable to the Engineer. All nuts for U-Bolts and Eyebolts must be lock nuts equivalent to ASTM A307 with nylon or steel inserts and hot dip galvanized per AASHTO M232. A stainless steel flat washer conforming to ASTM A240, Type 302 or 304, is required under each U-Bolt and Eyebolt lock nut.
- GALVANIZING: All Steel Grating, Plates, Shapes and Pipe shall be Hot Dip Galvanized after fabrication in accordance with AASHTO M111. Painting is not permitted.
- ANCHOR RODS: Shall conform to AASHTO M314 Gr. 36 or 55 with a minimum Charpy V-Notch (CVN) energy of 15 lb.-ft. at 40° F.
- CONCRETE SURFACES: All concrete surfaces above an elevation 6" below the lowest final ground line at each foundation shall be cleaned and coated with Bridge Seal Sealer in accordance with the Standard Specifications.
- REINFORCEMENT BARS: Reinforcement Bars designated (E) shall be epoxy coated in accordance with the Standard Specifications.



TYPICAL ELEVATION
(Looking at Face of Signs)**

Structure Number	Station	Design Truss Type	c. to c. Supports	Elev. A	Dim. D	Height of Tallest Sign	Total Sign Area
ISO16I094L055.41	4598+65	III-A	69.83'	12.09'	11.12'	8.5'	222
ISO16I094L058.4	2442+20	I-A	72.00'	3.12'	12.00'	12.5'	450

Elev. A = Elevation at point of minimum clearance to sign, walkway support or truss.



*If M270 Gr. 50W (M222) steel is proposed, chemistry for plate to be used shall first be

SGN-10

TOTAL BILL OF MATERIAL

ITEM	UNIT	TOTAL
OVERHEAD SIGN STRUCTURE TYPE I-A (4'-0" x 6'-0")	Foot	72.0
OVERHEAD SIGN WALKWAY TYPE A	Foot	100.0
DRILLED SHAFT CONCRETE FOUNDATIONS	Cu. Yds.	144.7
OVERHEAD SIGN STRUCTURE TYPE III-A (5'-0" x 7'-0")	Foot	69.9

NUMBER	REVISION	DATE

**Looking upstation for structures with signs both sides.

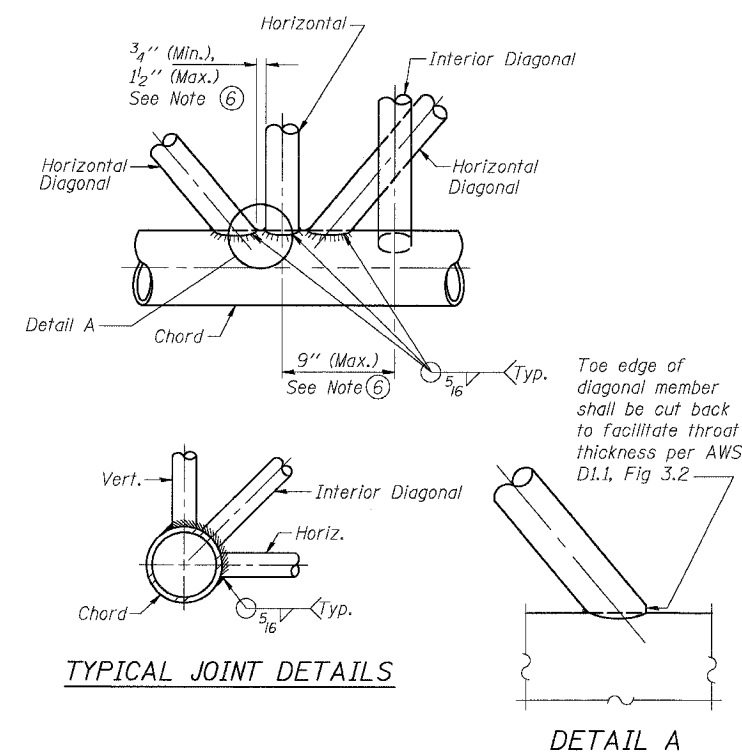
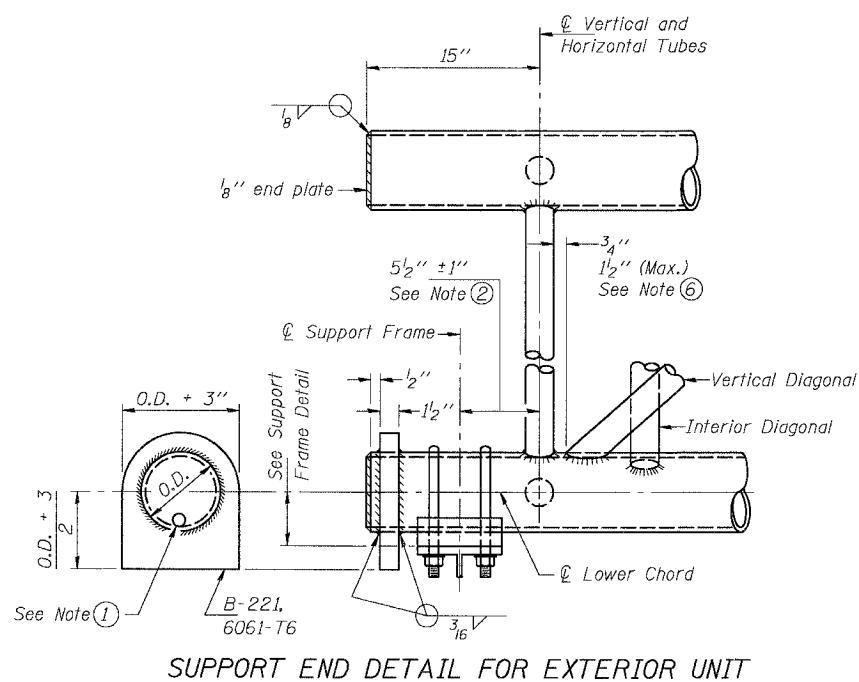
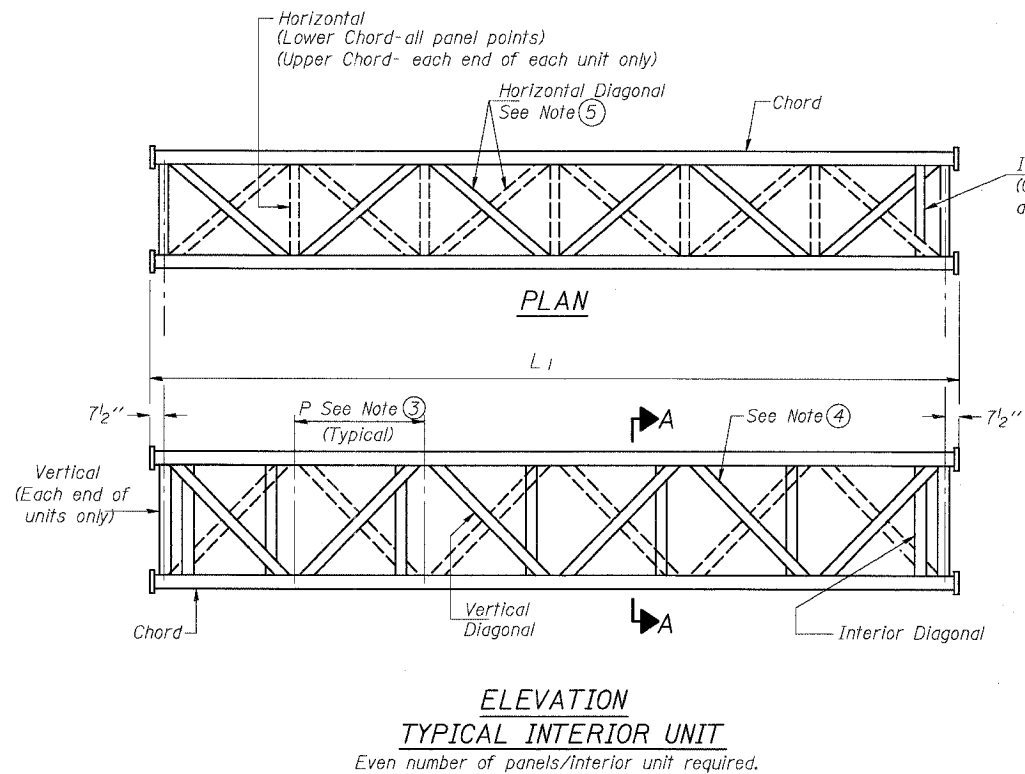
DESIGNED	MSA	20
CHECKED	AS	EXAMINED
DRAWN	MD	PASSED
CHECKED	MSA	ENGINEER OF BRIDGES AND STRUCTURES

OVERHEAD SIGN STRUCTURES
GENERAL PLAN & ELEVATION
ALUMINUM TRUSS & STEEL SUPPORTS

ILLINOIS DEPARTMENT OF TRANSPORTATION
F.A.I. 94/90 (DAN RYAN EXPRESSWAY)
31ST STREET TO 71ST STREET
NB EXPRESS LANE RECONSTRUCTION
OVERHEAD SIGN STRUCTURES

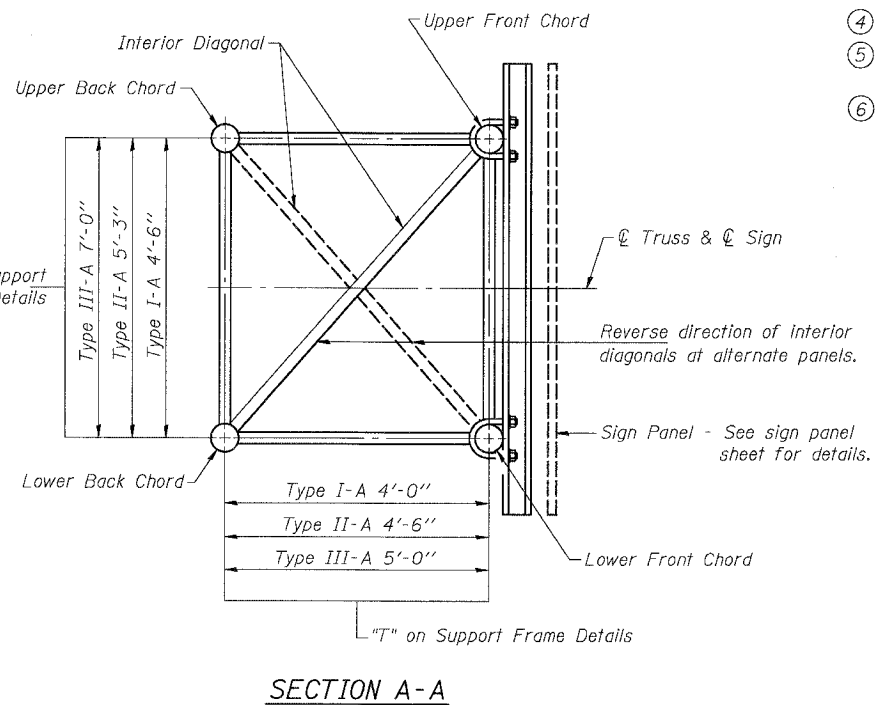
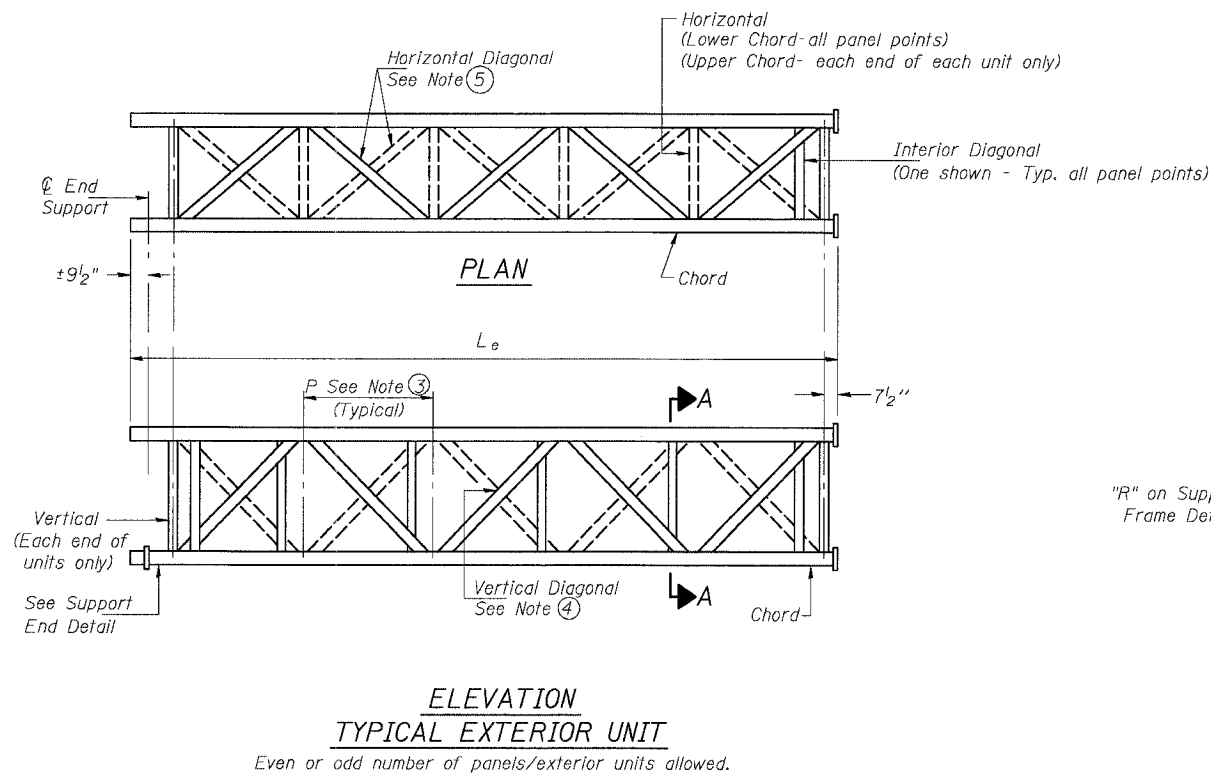
STATE OF ILLINOIS
DEPARTMENT OF TRANSPORTATION

ROUTE NO.	SECTION	COUNTY	SHEET NO.	SHEET TOTAL
94/90	*	COOK	556	289
FED. ROAD DIST. NO. 1 ILLINOIS FED. AID PROJECT-				
62300 *1818, ETC, 2324.6-1P/R-8				



NOTES

- Contractor may alternatively use standard aluminum drive-fit cap to close end. 1/2" ϕ drain hole in end plate/drive-fit cap. (Typ. at ends of all chords)
- 5 1/2" end dimension may vary by ± 1 " to provide uniform panel spacing (P).
- Panel spacing (P) shall be uniform for entire truss and between 4'-0" and 5'-0" for Type I-A or 4'-0" and 5'-6" for Types II-A and III-A.
- Vertical Diagonals in front and back face shall alternate.
- Hidden lines show wind bracing alternates direction between planes of top and bottom chords.
- All diagonals shall be detailed for minimum offset from the panel point based on the following: Offset shall be such as to provide a 3/4" minimum to 1 1/2" maximum clearance between any diagonal and any horizontal or vertical member, and to provide clearance for U-bolt connections of signs or walkway brackets.



DESIGNED	MSA
CHECKED	AS
DRAWN	MD
CHECKED	MSA

EXAMINED	20
PASSED	

ENGINEER OF STRUCTURAL SERVICES
ENGINEER OF BRIDGES AND STRUCTURES

NUMBER	REVISION	DATE

**OVERHEAD SIGN STRUCTURES
ALUMINUM TRUSS DETAILS
FOR TRUSS TYPES I-A, II-A and III-A**

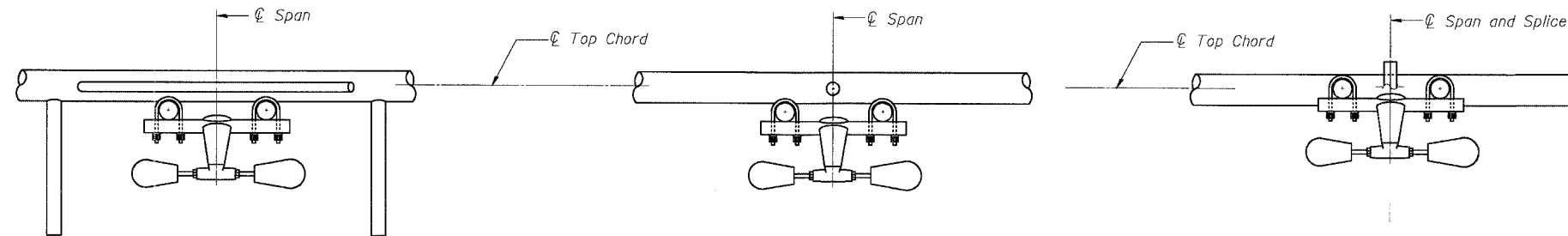
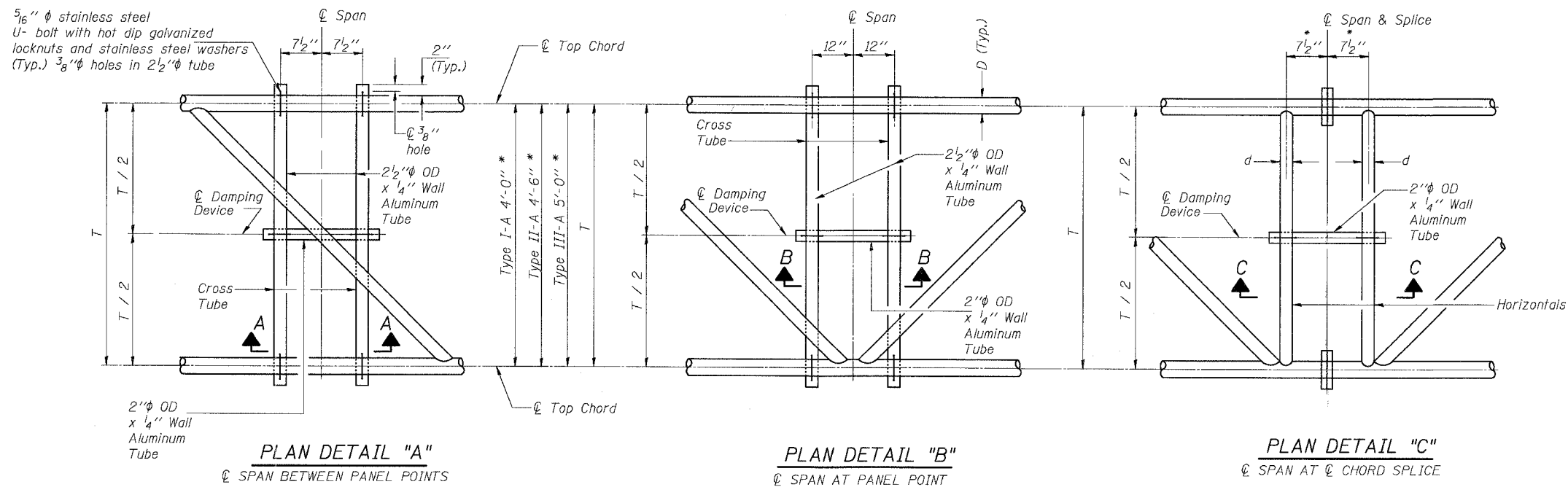
ILLINOIS DEPARTMENT OF TRANSPORTATION
F.A.I. 94/90 (DAN RYAN EXPRESSWAY)
31ST STREET TO 71ST STREET
NB EXPRESS LANE RECONSTRUCTION
OVERHEAD SIGN STRUCTURES

STATE OF ILLINOIS
DEPARTMENT OF TRANSPORTATION

* Center of horizontal to center of splice dimension may vary. Verify before drilling holes in mounting tube.

ROUTE NO.	SECTION	COUNTY	ISDN SHEETS	SHEET NO.
94/90	*	COOK	556	291
* ILLINOIS		FED. AID PROJECT		

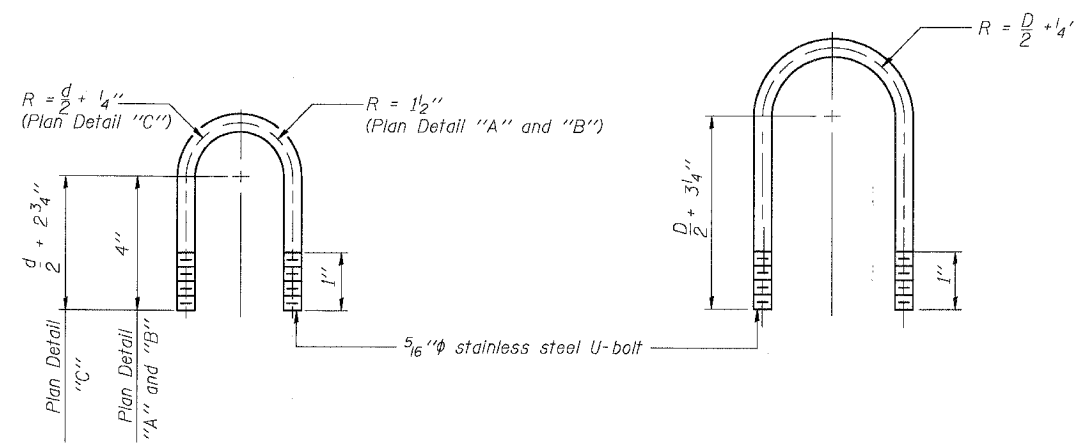
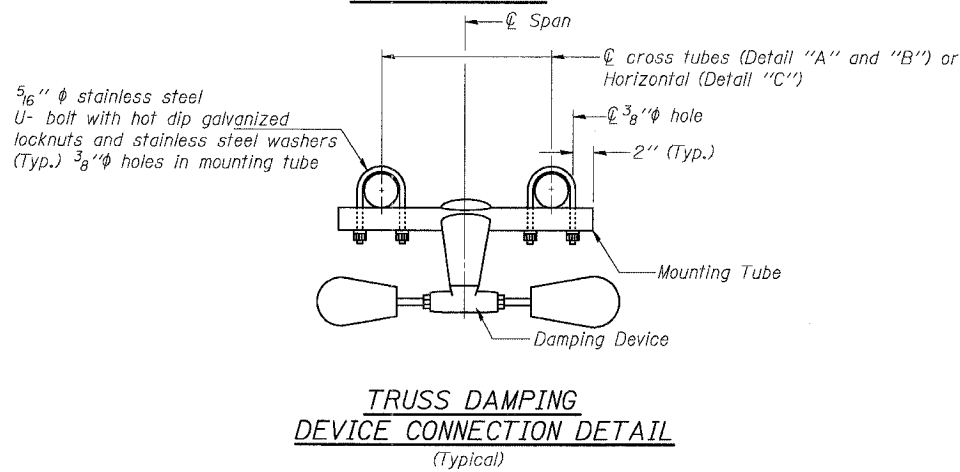
62300 * (1818, ETC, 2324.6-1PR-8



SECTION A-A

SECTION B-B

SECTION C-C



DAMPING DEVICE MOUNTING TUBE U-BOLT DETAIL
(Typical)

TOP CHORD TO CROSS TUBE U-BOLT DETAIL
(Typical - Detail "A" and "B")

DESIGNED	MSA
CHECKED	AS
DRAWN	MD
CHECKED	MSA

EXAMINED	20
PASSED	ENGINEER OF STRUCTURAL SERVICES
	ENGINEER OF BRIDGES AND STRUCTURES

OS-A-D 11/1/2002

SGN-13

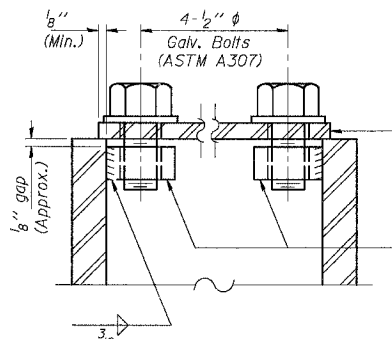
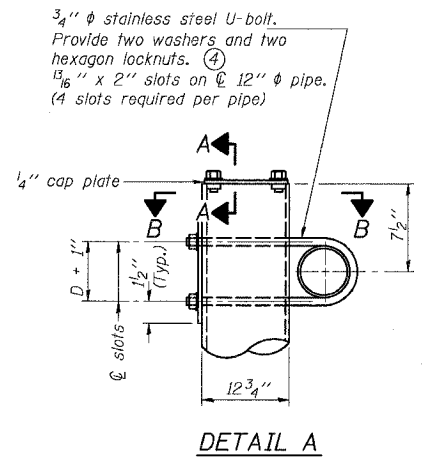
**OVERHEAD SIGN STRUCTURE
DAMPING DEVICE**

ILLINOIS DEPARTMENT OF TRANSPORTATION
F.A.I. 94/90 (DAN RYAN EXPRESSWAY)
31ST STREET TO 71ST STREET
NB EXPRESS LANE RECONSTRUCTION
OVERHEAD SIGN STRUCTURES

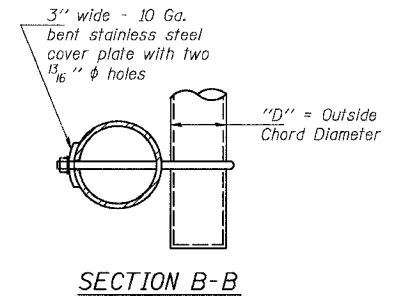
STATE OF ILLINOIS
DEPARTMENT OF TRANSPORTATION

ROUTE NO.	SECTION	COUNTY	TOTAL SHEETS	SHEET NO.
94/90	#	COOK	556	292
FED. ROAD DIST. NO. 7	ILLINOIS	FED. AID PROJECT-		

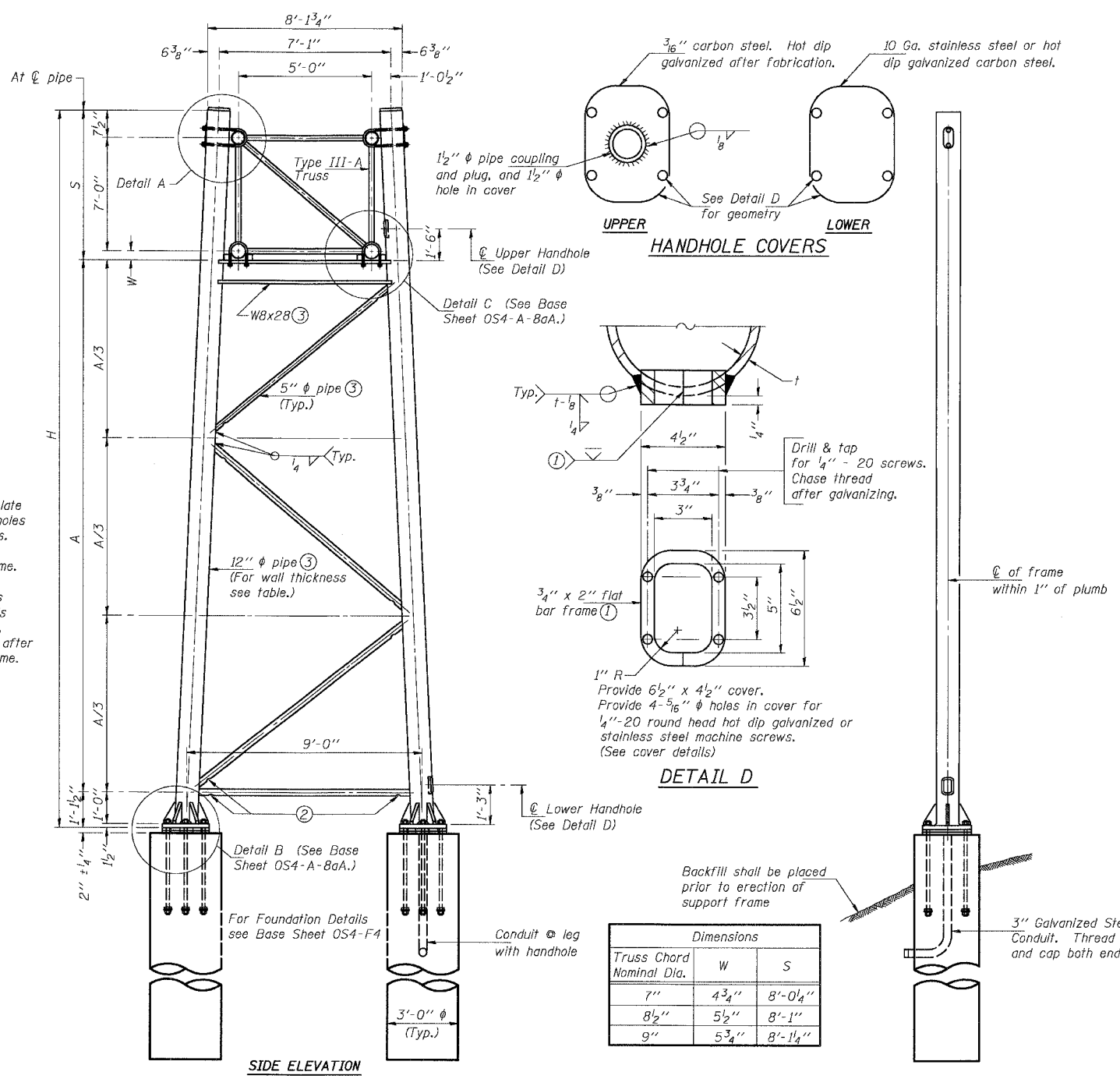
62300 *11818, ETC. 2324.6-IPR-B



SECTION A-A
As an alternate to bolts, may use galvanized drive-fit caps installed after galvanizing frame.



SECTION B-B



Truss Chord Nominal Dia.	W	S
7"	4 3/4"	8'-0 1/4"
8 1/2"	5 1/2"	8'-1"
9"	5 3/4"	8'-1 1/4"

Support Design Loads: See Base Sheet OS-A-1 for design and loading criteria.
Load combinations checked include deadload plus:
a) 100% wind normal to sign, 20% parallel to sign
b) 60% wind normal to sign, 30% parallel to sign

- In lieu of fabricated handhole frame as shown, may cut from 2" plate (rolling direction vertical). All cut faces to be ground to ANSI Roughness of 500 4 in or less.
- Galvanizing vent holes of adequate size shall be provided on underside at each end of bracing pipes. Alternately, holes may be provided in wall of pipe column. All vent holes shall be drilled and de-burred. (Typ.)
- Steel pipe, plate, carbon steel handhole covers and rolled sections shall be hot dip galvanized after fabrication. Painting is not permitted. See Base Sheet OS-A-1.
- See General Notes for fasteners.
- Dimensions shown are based on selection criteria in the Sign Structures Manual. Nonstandard applications must have dimensions verified or amended as appropriate.

Structure Number	Station	Support		Pipe Wall Thickness	H	A
		Left	Right			
ISO161094L055.41	4598+65		X	0.33	25.1'	15.95'
			X	0.33	24.22'	15.07'
ISO161094L058.4	2442+20		X	0.33	25.31'	18.72'
			X	0.33	26.83'	19.50'

NUMBER	REVISION	DATE

TRUSS SUPPORT DETAILS
(12" φ Pipe-Type III-A Truss)

DESIGNED	SL	20
CHECKED	AS	EXAMINED
DRAWN	MD	PASSED
CHECKED	SL	ENGINEER OF BRIDGES AND STRUCTURES

OS4-A-8a 11/1/2002

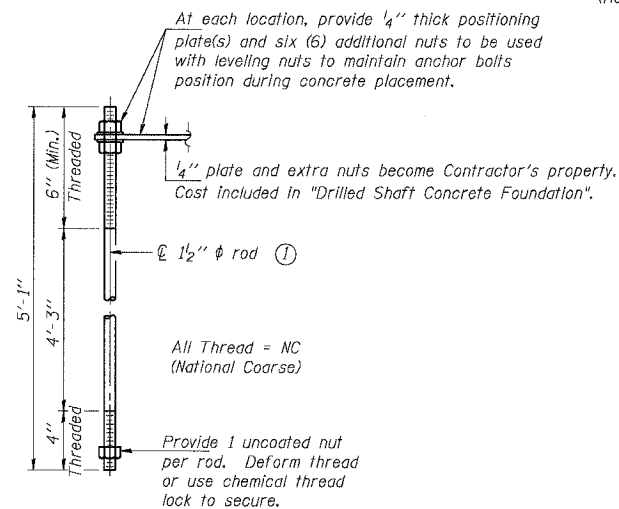
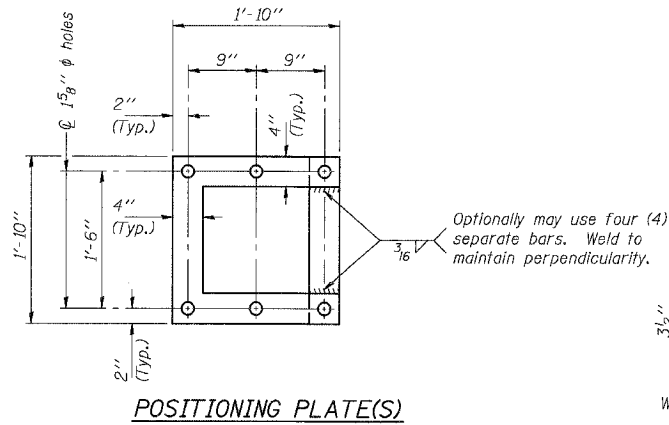
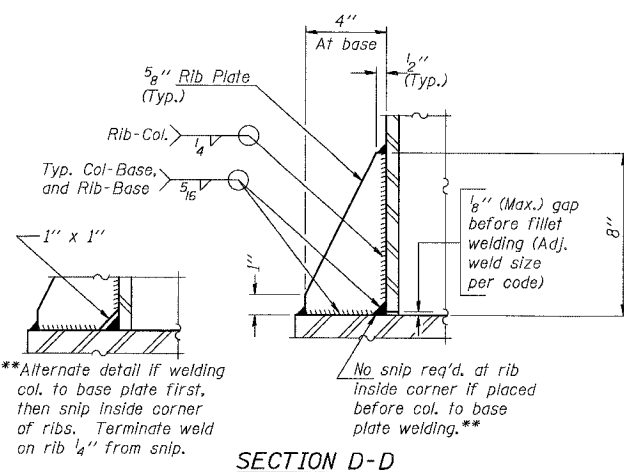
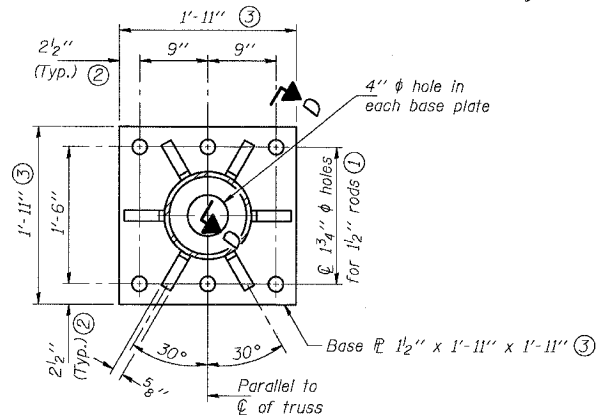
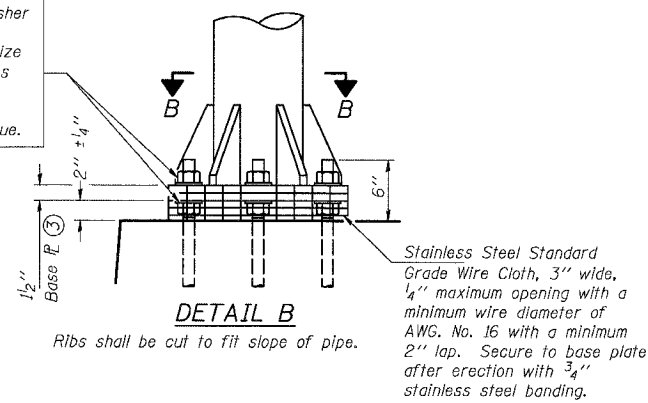
OVERHEAD SIGN STRUCTURES
ALUMINUM WALKWAY DETAILS
ILLINOIS DEPARTMENT OF TRANSPORTATION
F.A.I. 94/90 (DAN RYAN EXPRESSWAY)
31ST STREET TO 71ST STREET
NB EXPRESS LANE RECONSTRUCTION
OVERHEAD SIGN STRUCTURES

SGN-14

STATE OF ILLINOIS
DEPARTMENT OF TRANSPORTATION

ROUTE NO.	SECTION	COUNTY	SHEET	TOTAL
94/90	#	COOK	556	293
FED. ROAD DIST. NO. 7	ILLINOIS	FED. AID PROJECT		
62300	*IBIB, ETC. 2324.6-IPJR-8			

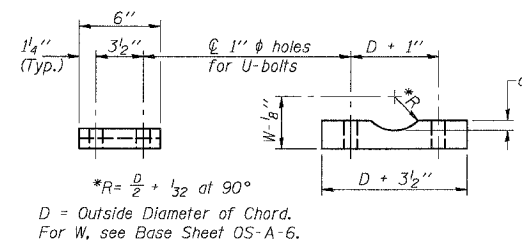
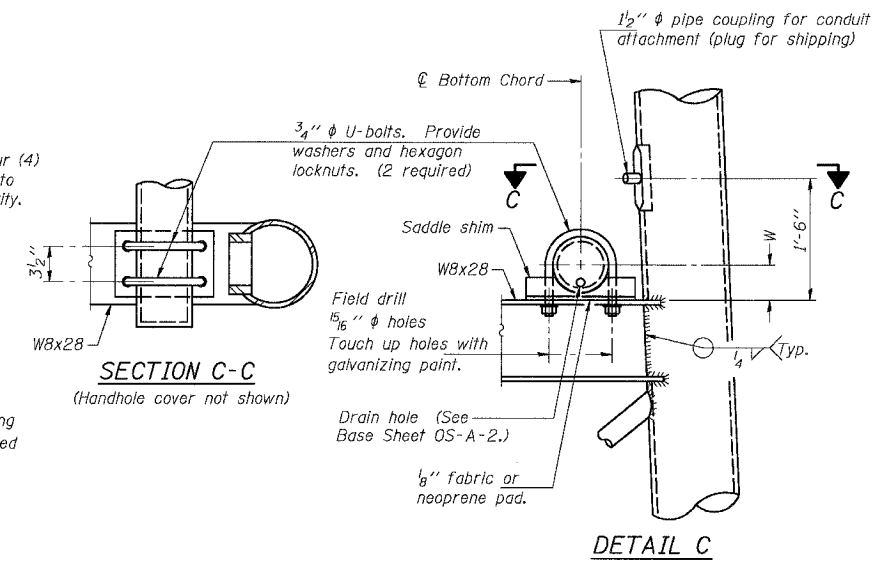
Hexagon locknut and washer (top), leveling nut and washer (bottom). Galvanize per AASHTO M232. Nuts shall each be tightened against base plate with 200 lb.-ft. minimum torque.



TYPE III-A TRUSS
12" ϕ PIPE SUPPORT FRAME DETAILS

Notes: For Type III-A Truss spans greater than 150 ft. and up to 160 ft.:

- ① 1 3/4" ϕ rod, 2" ϕ holes
- ② 2 3/4" edge distance
- ③ Base Plt 1 5/8" x 1'-11 1/2" x 1'-11 1/2"



Truss Chord Nominal Dia.	a
7"	1"
8 1/2"	1 1/4"
9"	1 3/8"

SADDLE SHIM DETAIL
ASTM B26 Alloy 356-F
or
ASTM B209 Alloy 6061-T651
(4 required per sign truss)

DESIGNED	SL
CHECKED	AS
DRAWN	MD
CHECKED	SL

EXAMINED	20
PASSED	ENGINEER OF STRUCTURAL SERVICES
	ENGINEER OF BRIDGES AND STRUCTURES

NUMBER	REVISION	DATE

OS4-A-8aA 11/1/2002

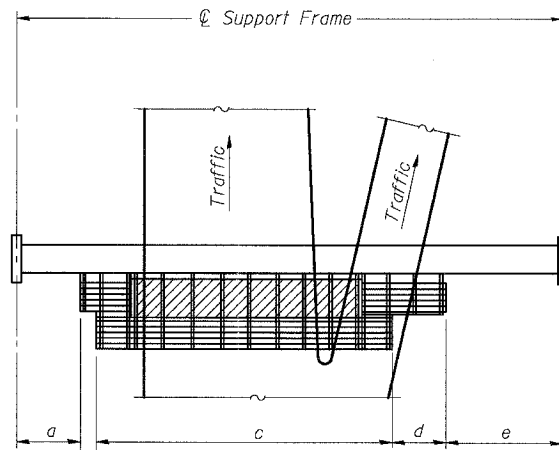
SGN-15

OVERHEAD SIGN STRUCTURES
ALUMINUM WALKWAY DETAILS
ILLINOIS DEPARTMENT OF TRANSPORTATION
F.A.I. 94/90 (DAN RYAN EXPRESSWAY)
31ST STREET TO 71ST STREET
NB EXPRESS LANE RECONSTRUCTION
OVERHEAD SIGN STRUCTURES

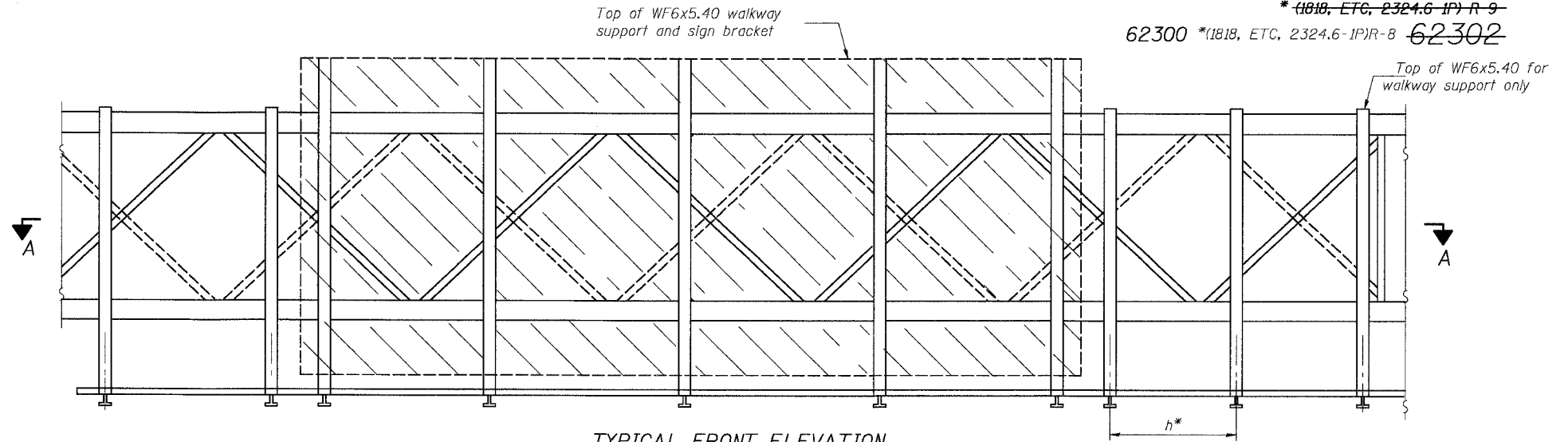
STATE OF ILLINOIS
DEPARTMENT OF TRANSPORTATION

ROUTE NO.	SECTION	COUNTY	TOTAL SHEETS	SHEET NO.	SHEET NO.
90/94	*	COOK		294	
FED. ROAD DIST. NO. 7	ILLINOIS	FED. AID PROJECT			

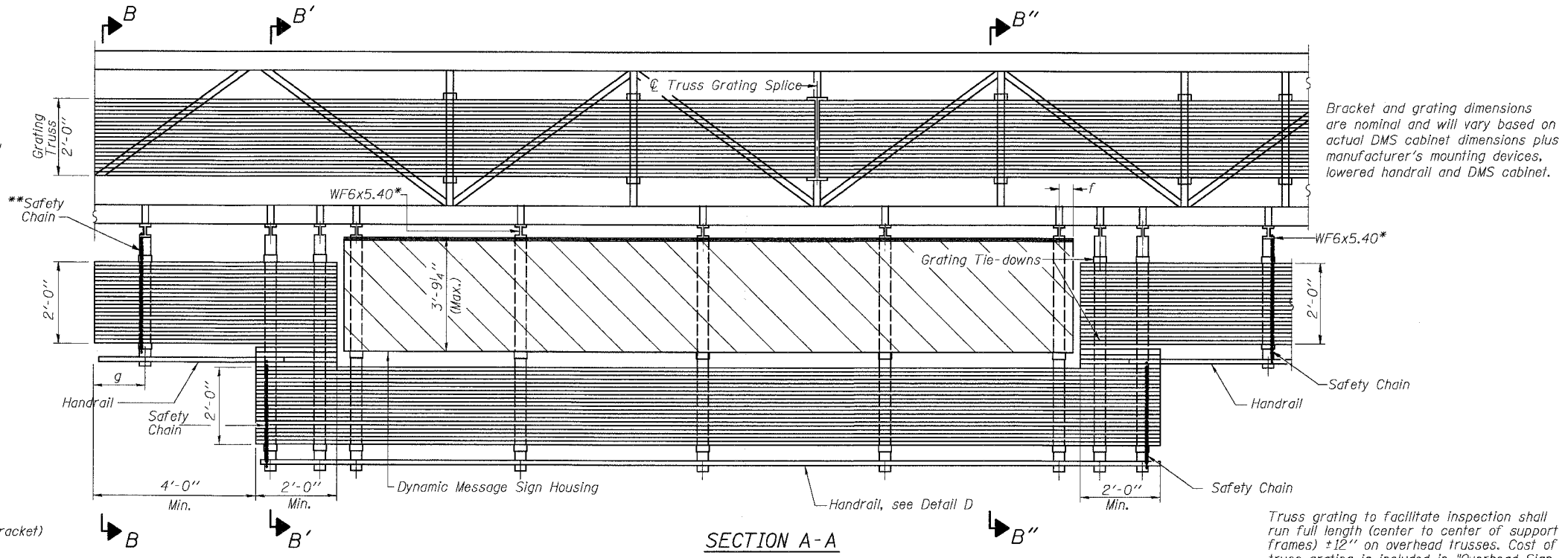
* (1818, ETC, 2324.6-IP) R-9
62300 * (1818, ETC, 2324.6-IP) R-8 62302



PLAN
WALKWAY AND HANDRAIL SKETCH
(Road plan beneath truss varies)



TYPICAL FRONT ELEVATION
With handrail omitted for clarity.
For Section B-B, see Base Sheet OS-A-10-DMS2
For Section B'-B', and B''-B'', see Base Sheet OS-A-10a-DMS2



SECTION A-A

Walkway and Truss Grating width dimensions are nominal and may vary $\pm 1/2$ " based on available standard widths.

Bracket and grating dimensions are nominal and will vary based on actual DMS cabinet dimensions plus manufacturer's mounting devices, lowered handrail and DMS cabinet.

BRACKET TABLE

WF6x5.40 ASTM B308, Alloy 6061-T6		
Sign Width		Number Brackets Required
Greater Than	Less Than or Equal To	
	10'-0"	2
	16'-0"	3
	22'-0"	4
	28'-0"	5
	34'-0"	6

Notes: *Space WF6x5.40 brackets for efficiency and within limits shown:

- f = 12" maximum, 4" minimum (End of sign to ϕ of nearest bracket)
- g = 12" maximum, 4" minimum (End of walkway grating to ϕ of nearest support bracket)
- h = 6'-0" maximum (ϕ to ϕ or walkway support brackets, WF6x5.40)

**If walkway bracket at safety chain location is behind sign, add angle to bracket, see Alternate Safety Chain Attachment on Base Sheet OS-A-11-DMS2

For Details T and W, Section B-B and Grating Splice Details, see Base Sheet OS-A-10-DMS2.
For Details D, F, G and P and Handrail Splice Details, see Base Sheet OS-A-11-DMS2.

Handrail and walkway shall span a minimum of three brackets between splices and/or gap joints.
Place all sign and walkway brackets as close to panel points as practical.
Grating and handrail splices placed as needed.

**OVERHEAD SIGN STRUCTURES
ALTERNATE ALUMINUM WALKWAY DETAILS**

F.A.I. 90/94 (DAN RYAN EXPRESSWAY)
31st Street to 71st Street
~~(SB Express Lanes)~~
(NB Express Lane Reconstruction)

DESIGNED	
CHECKED	
DRAWN	
CHECKED	

EXAMINED	19
PASSED	ENGINEER OF STRUCTURAL SERVICES
	ENGINEER OF BRIDGES AND STRUCTURES

NUMBER	REVISION	DATE

Structure Number	Station	a	b	c	d	e	Walkway Grating and Handrail Lengths
ISO161094R057.7	1476+25.00	4.69'	12.00'	32.00'	12.00'	7.33'	56.00'
ISO161094L055.41	4598+65	10.71'	6.54'	31.08'	14.38'	7.12'	56.0'

OS-A-9-DMS2 7/1/2001

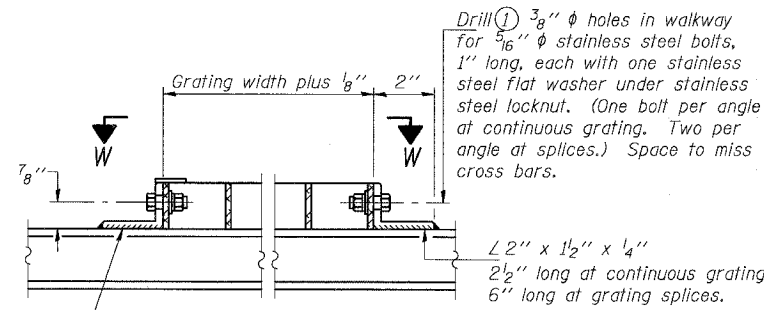
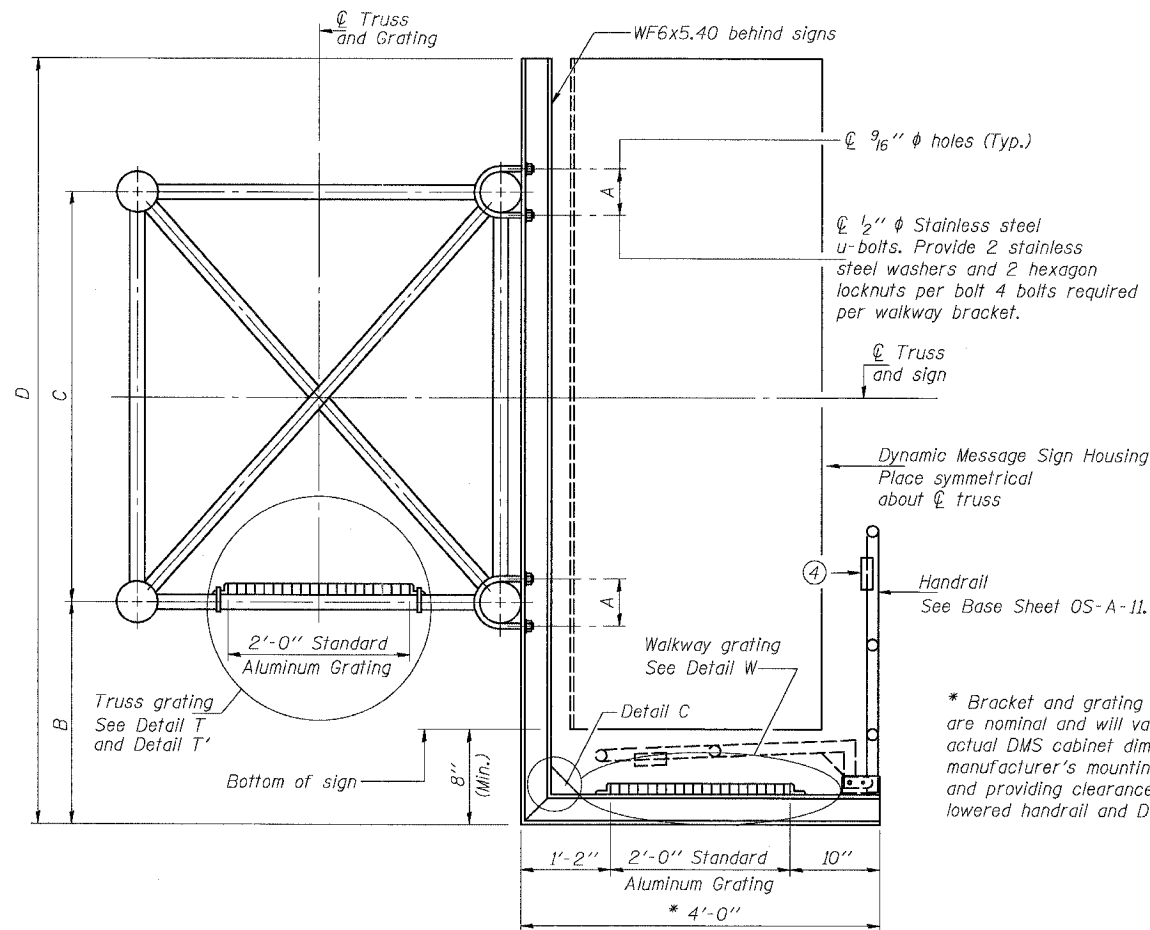
6/24/2005 11:05:38 AM

STATE OF ILLINOIS
DEPARTMENT OF TRANSPORTATION

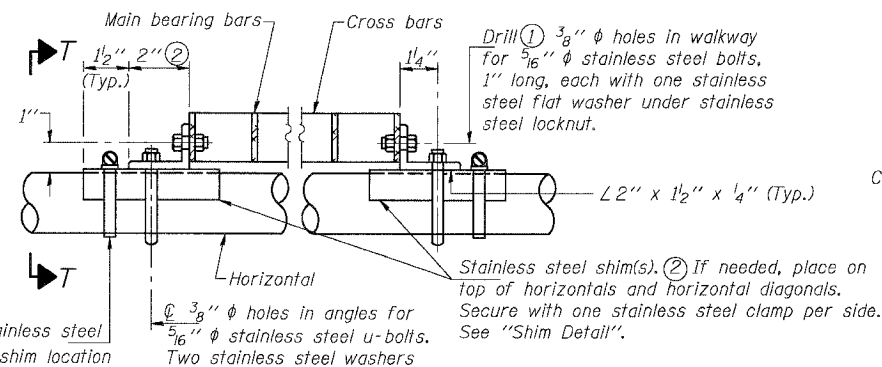
ROUTE NO.	SECTION	COUNTY	TOTAL SHEETS	SHEET NO.
90/94	*	COOK		295

(1818, ETC, 2324.6-1P) R-9

62300 *(1818, ETC, 2324.6-1P) R-8 62302



DETAIL W
(Walkway grating)



DETAIL T
(Continuous Truss grating)

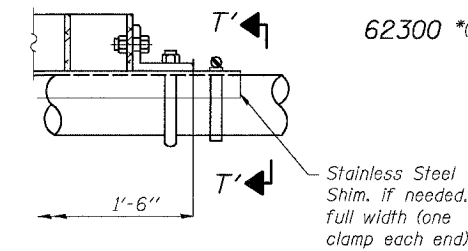
SPECIFICATIONS FOR STANDARD ALUMINUM GRATING

Main Bearing Bars shall be 3/16" x 1 1/2" on 1 3/16" centers and conform to ASTM B221 Alloy 6061-T6.
Cross bars shall be 3/16" x 1 1/2" on 4" centers and conform to ASTM B221 Alloy 6063-T5 or 6061-T6.

OR

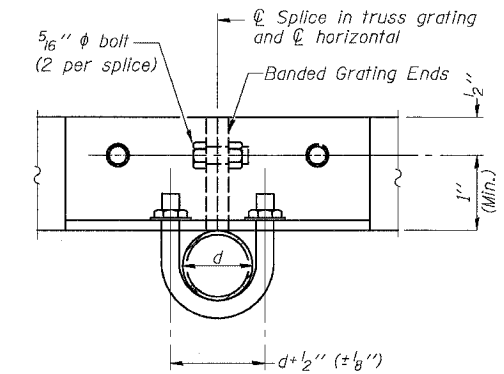
Aluminum Grating with modified "I" sections for main bearing bars shall meet the following requirements:
Main bars shall conform to ASTM B221 Alloy 6061-T6 and have a minimum section modulus equal to 0.0705 in.³ per bar, a depth of 1 1/2", spaced on 1 3/16" centers.
Cross bars shall conform to ASTM B221 Alloy 6063-T5 or T-42 and spaced on 4" centers.

Structure Number	Station	A	B	C	D
ISO161094R057.7	1476+25.00	7 1/2"	1'-5"	7'-0"	9'-2"
ISO161094L055.41	4598+65	7 1/2"	1.25'	7.0'	8.75'

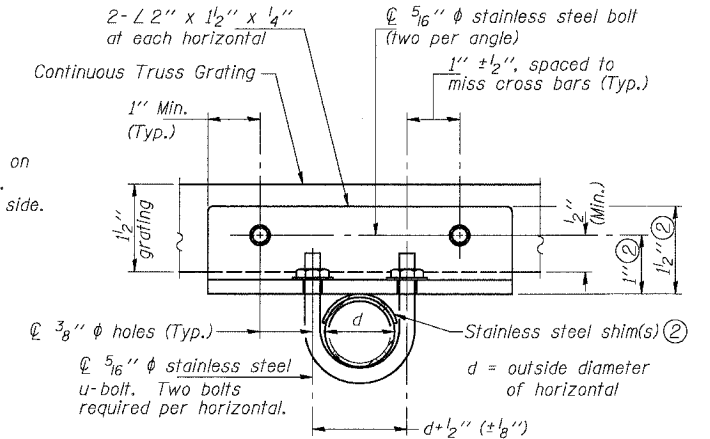


DETAIL T'

(Truss grating splice)
Details not shown same as Detail T.
Alternate materials may be used subject to the Engineer's review and approval.



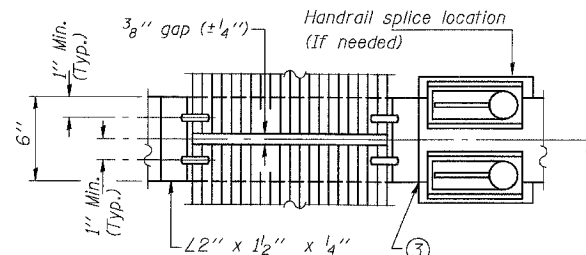
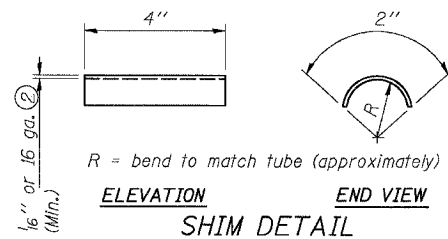
SECTION T'-T'



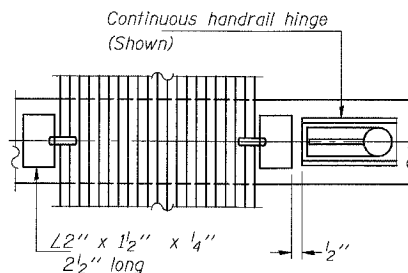
SECTION T-T

- Drilling holes in grating may be done in shop or field, based on Contractor's preference and subject to accurate alignment.
- Stainless steel shims shall be placed as shown in Detail T if needed to compensate for alignment variations between horizontal and diagonal pipes beyond adjustment provided by angles. Thicker shims may be used subject to shims performing properly.
- If Handrail Joint present, weld angle to WF6 and 1/4" extension bars. (See Base Sheet OS-A-11-DMS2.)
- Ø 1/8" x 1/2" x 2" welded to handrail posts to protect locations that contact grating.

SECTION B-B

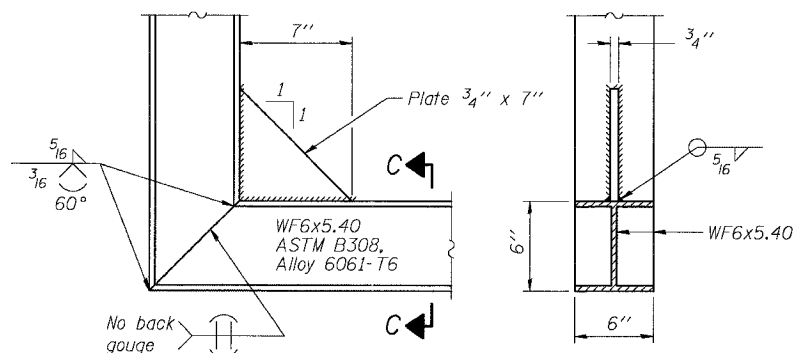


(AT WALKWAY GRATING SPLICE)



(CONTINUOUS WALKWAY GRATING)

SECTION C-C



DETAIL C

(See Detail P, Base Sheet OS-A-11-DMS2.)

DESIGNED	
CHECKED	
DRAWN	
CHECKED	

EXAMINED	19
PASSED	

NUMBER	REVISION	DATE

OS-A-10-DMS2 7/1/2001

OVERHEAD SIGN STRUCTURES
ALTERNATE ALUMINUM WALKWAY DETAILS

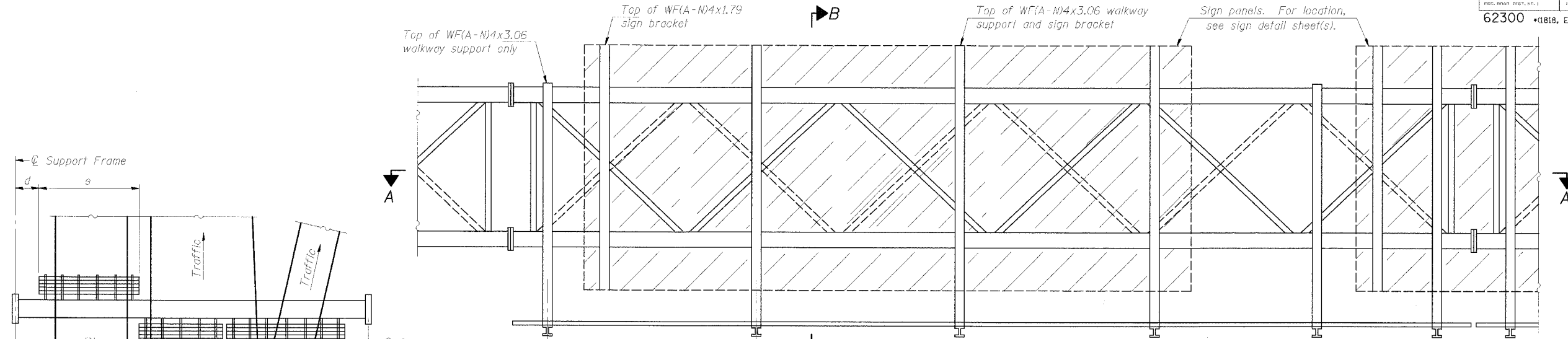
F.A.I. 90/94 (DAN RYAN EXPRESSWAY)
31st Street to 71st Street
(SB Express Lanes)
(NB Express Lane Reconstruction)

SGN-17

6/24/2005 11:05:39 AM

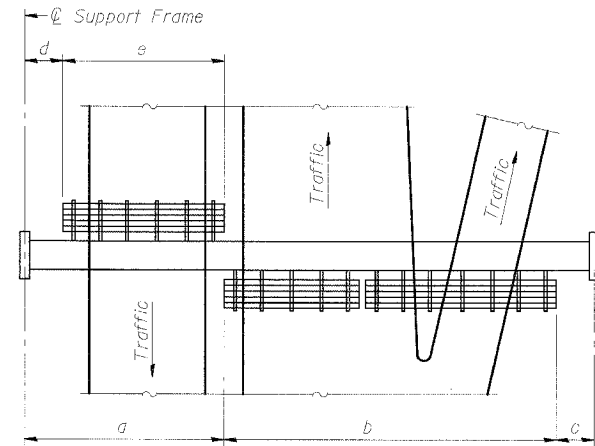
STATE OF ILLINOIS
DEPARTMENT OF TRANSPORTATION

ROUTE NO.	SECTION	COUNTY	TOTAL SHEETS	SHEET NO.
94/90	*	COOK	556	297
REF. DRAW DIST. NO. 1		AL. INCHES	PROJECT-	
62300		•0818, ETC, 2324.6-1P1R-8		



TYPICAL FRONT ELEVATION

With lights and handrail omitted for clarity.
For Section B-B, see Base Sheet OS-A-10.



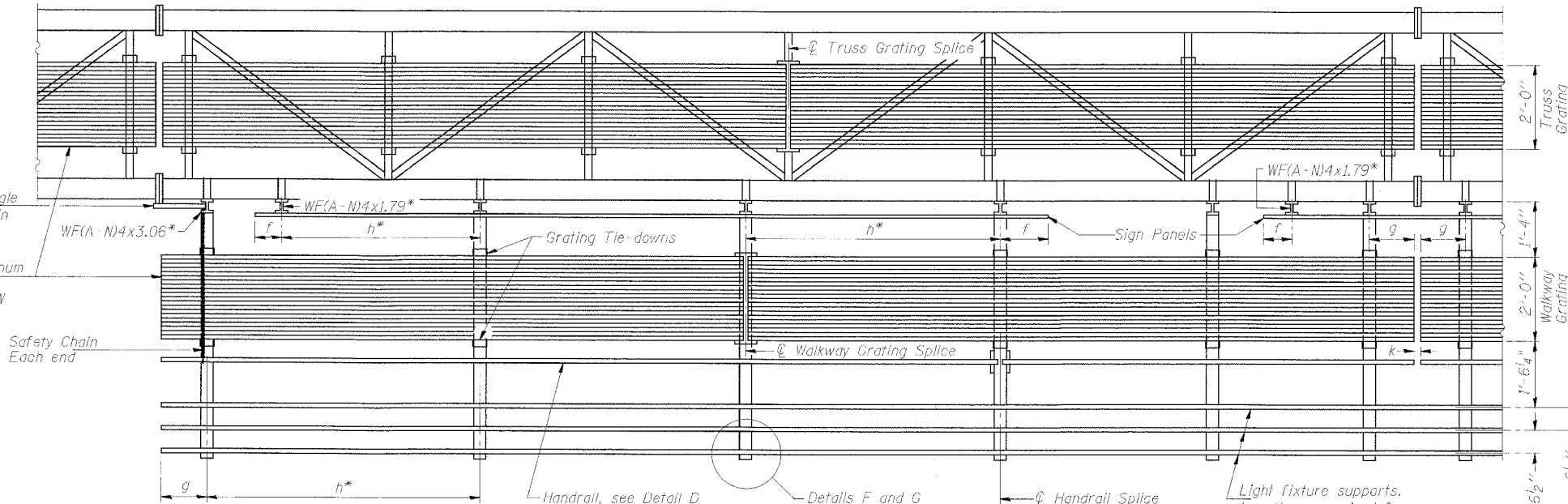
PLAN WALKWAY AND HANDRAIL SKETCH
(Road plan beneath truss varies)

BRACKET TABLE

Sign Width		Number Brackets Required
Greater Than	Less Than or Equal To	
	10'-0"	2
10'-0"	16'-0"	3
16'-0"	22'-0"	4
22'-0"	28'-0"	5
28'-0"	34'-0"	6

**Alternate angle for safety chain attachment

Standard Aluminum Grating, see Details T and W



Walkway and Truss Grating width dimensions are nominal and may vary ±1/2" based on available standard widths.

Notes: *Space walkway brackets WF(A-N)4x3.06 and sign brackets WF(A-N)4x1.79 for efficiency and within limits shown:

- f = 12" maximum, 4" minimum (End of sign to center of nearest bracket)
- g = 12" maximum, 1" minimum (End of walkway grating to center of nearest support bracket)
- h = 6'-0" maximum (center to center of sign and/or walkway support brackets, WF(A-N)4x1.79 or WF(A-N)4x3.06)
- k = 2" maximum gap between adjacent walkway grating sections and handrail ends

**If walkway bracket at safety chain location is behind sign, add angle to bracket, see Alternate Safety Chain Attachment on Base Sheet OS-A-11.

For Details T and W, Section B-B and Grating Splice Details, see Base Sheet OS-A-10.
For Details D, F, G and P and Handrail Splice Details, see Base Sheet OS-A-11.

SECTION A-A

Handrail and walkway shall span a minimum of three brackets between splices and/or gap joints.
Place all sign and walkway brackets as close to panel points as practical.
Grating, handrail and light support splices placed as needed.

Truss grating to facilitate inspection shall run full length (center to center of support frames) ±12" on overhead trusses.
Cost of truss grating is included in "Overhead Sign Structure".

Structure Number	Station	a	b	c	d	e	Walkway Grating and Handrail Lengths
ISO161094058.4	2442+20	20.00'	44.0'	8.0'	-	-	44.0'

DESIGNED	MSA	<p>20</p> <p>EXAMINED</p> <p>ENGINEER OF STRUCTURAL SERVICES</p> <p>PASSED</p> <p>ENGINEER OF BRIDGES AND STRUCTURES</p>
CHECKED	AS	
DRAWN	MD	
CHECKED	MSA	

NUMBER	REVISION	DATE

OS-A-9 11/1/2002

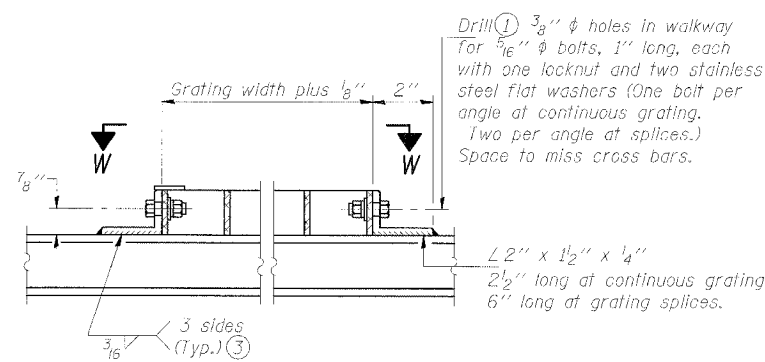
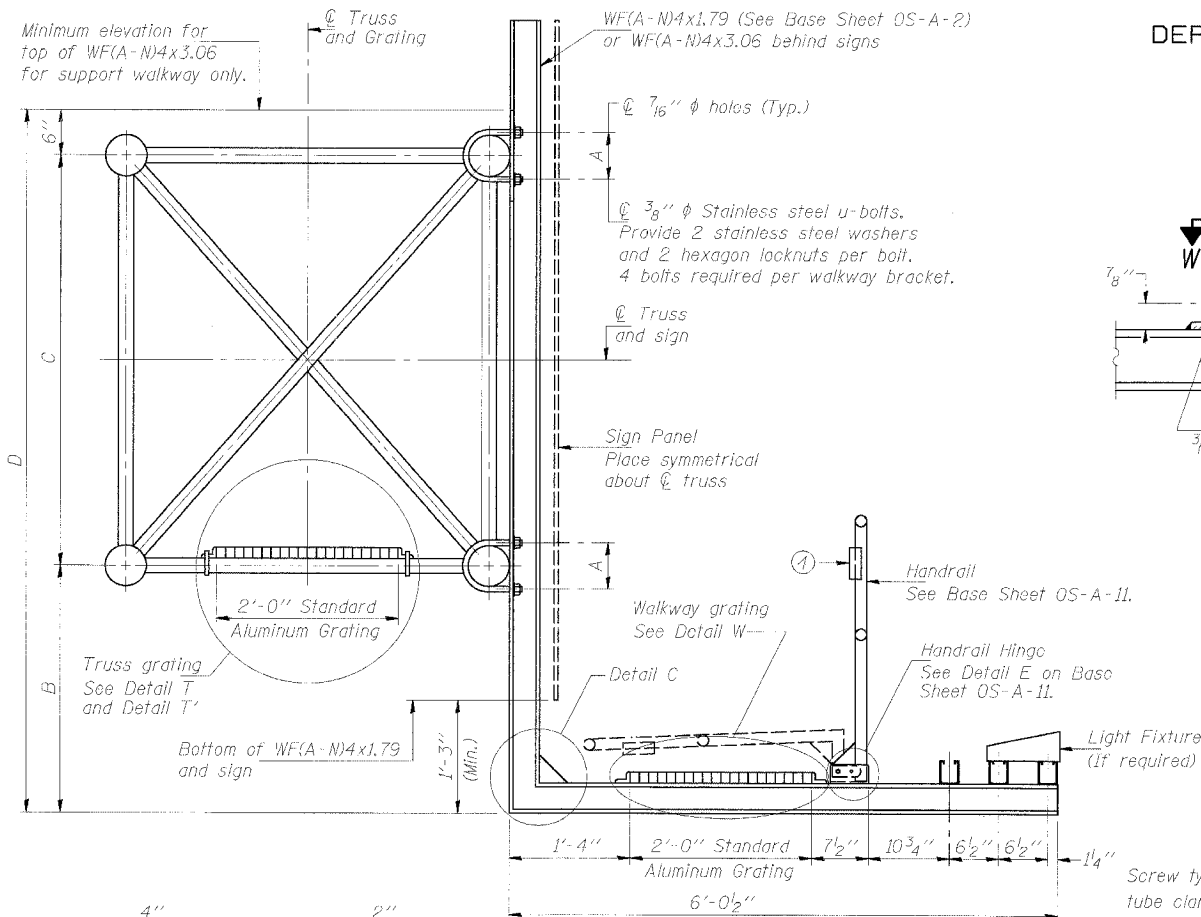
SGN-18A

**OVERHEAD SIGN STRUCTURES
ALUMINUM WALKWAY DETAILS**

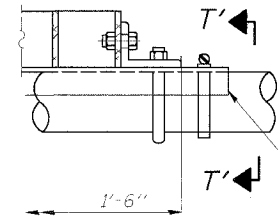
ILLINOIS DEPARTMENT OF TRANSPORTATION
F.A.I. 94/90 (DAN RYAN EXPRESSWAY)
31ST STREET TO 71ST STREET
NB EXPRESS LANE RECONSTRUCTION
OVERHEAD SIGN STRUCTURES

STATE OF ILLINOIS
DEPARTMENT OF TRANSPORTATION

ROUTE NO.	SECTION	COUNTY	TOTAL SHEETS	SHEET NO.
94/90		COOK	556	298
FED. ROAD DIST. NO. 1		ILLINOIS	FED. AID PROJECT-	
62300 • 1818, ETC, 2324.6-1PJR-8				

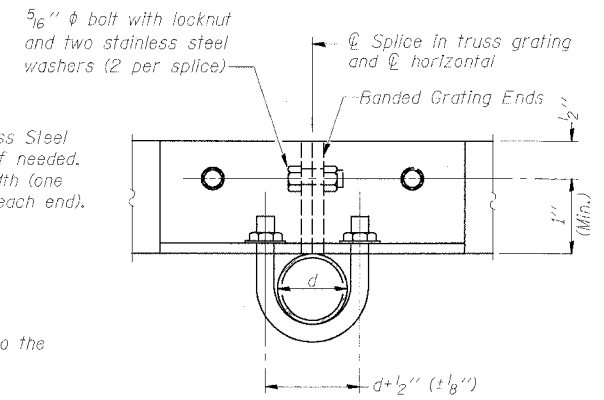


DETAIL W
(Walkway grating)

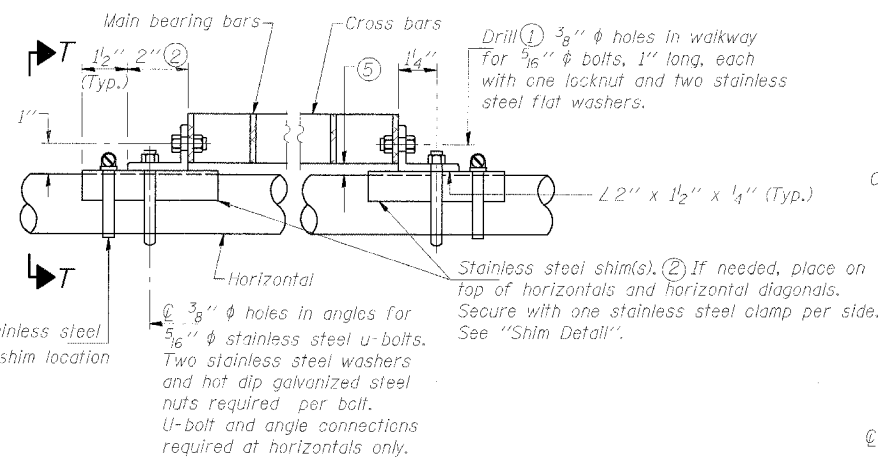


DETAIL T'

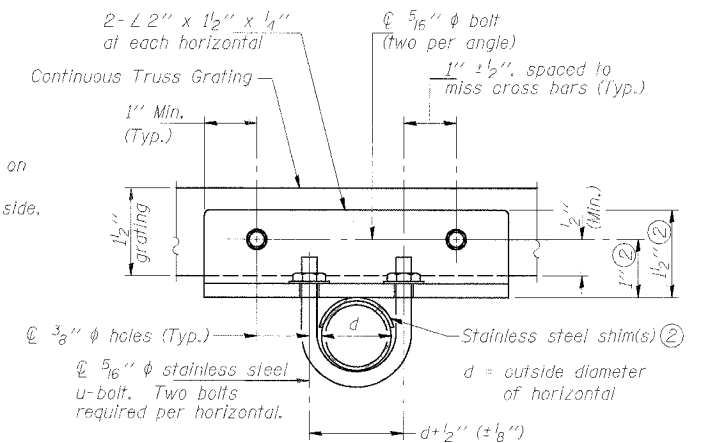
(Truss grating splice)
Details not shown same as Detail T.
Alternate materials may be used subject to the Engineer's review and approval.



SECTION T'-T'



DETAIL T
(Continuous Truss grating)



SECTION T-T

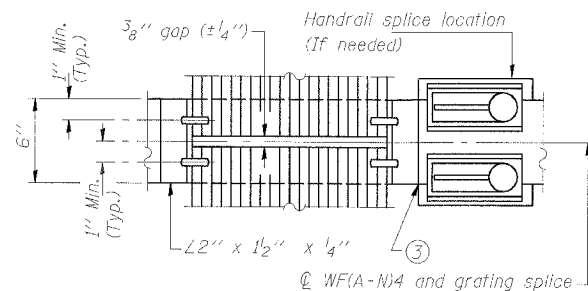
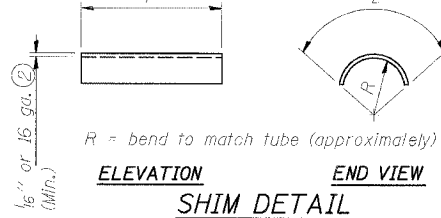
SPECIFICATIONS FOR STANDARD ALUMINUM GRATING

Main Bearing Bars shall be 3/16" x 1 1/2" on 1 3/16" centers and conform to ASTM B221 Alloy 6061-T6.
Cross bars shall be 3/16" x 1 1/2" on 4" centers and conform to ASTM B221 Alloy 6063-T5 or 6061-T6.

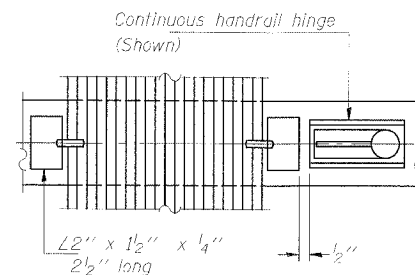
OR

Aluminum Grating with modified "T" sections for main bearing bars shall meet the following requirements:
Main bars shall conform to ASTM B221 Alloy 6061-T6 and have a minimum section modulus equal to 0.0705 in.³ per bar, a depth of 1 1/2", spaced on 1 3/16" centers.
Cross bars shall conform to ASTM B221 Alloy 6063-T5 or T-42 and spaced on 4" centers.

- Drilling holes in grating may be done in shop or field, based on Contractor's preference and subject to accurate alignment.
- Stainless steel shims shall be placed as shown in Detail T if needed to compensate for alignment variations between horizontal and diagonal pipes beyond adjustment provided by angles. Thicker shims may be used subject to shims performing properly.
- If Handrail Joint present, weld angle to WF(A-N)4 and 1/4" extension bars. (See Base Sheet OS-A-11.)
- 1 1/8" x 1/2" x 2" welded to handrail posts to protect locations that contact grating.
- Tube to grating gap may vary from 0 to 1/2" (max.) to align walkway, allow for camber, etc.

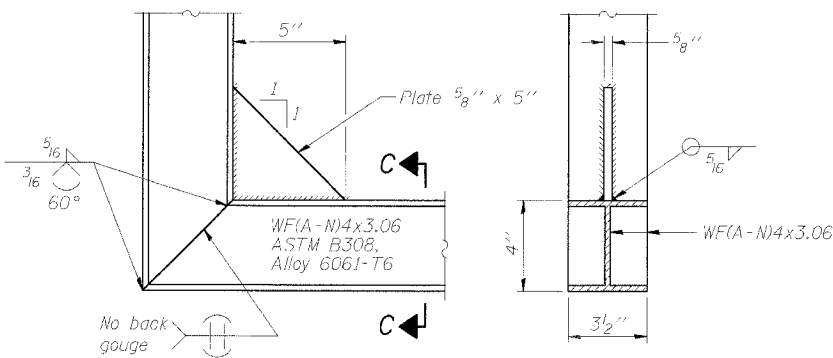


(AT WALKWAY GRATING SPLICE)



(CONTINUOUS WALKWAY GRATING)

SECTION W-W



DETAIL C

(See Detail P, Base Sheet OS-A-11.)

DESIGNED	MSA
CHECKED	AS
DRAWN	MD
CHECKED	MSA

EXAMINED	20
PASSED	

ENGINEER OF STRUCTURAL SERVICES

ENGINEER OF BRIDGES AND STRUCTURES

NUMBER	REVISION	DATE

Structure Number	Station	A	B	C	D
ISO161094058.4	2442+20	5 3/8"	5'-6"	4'-6"	10'-6"

OVERHEAD SIGN STRUCTURES
ALUMINUM WALKWAY DETAILS

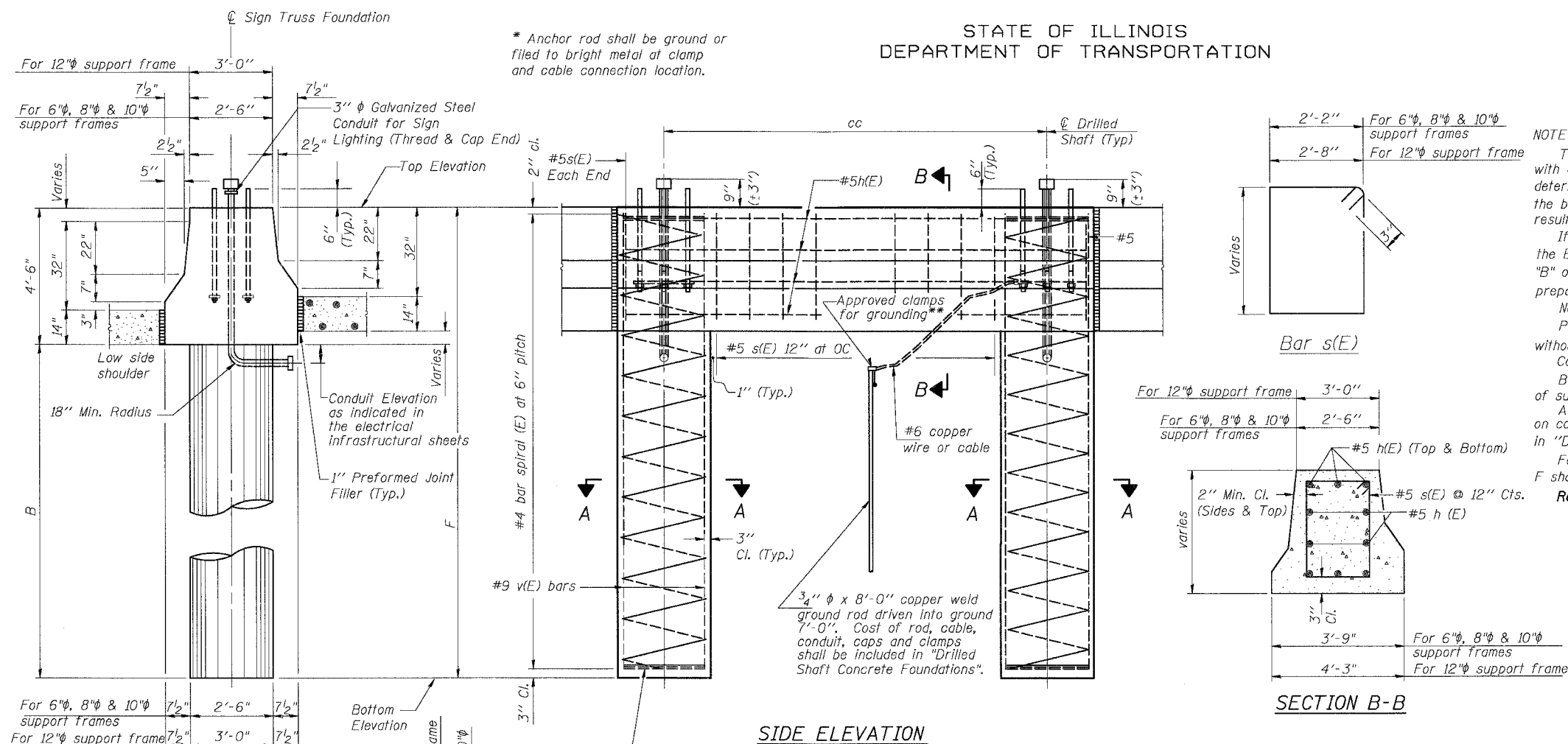
ILLINOIS DEPARTMENT OF TRANSPORTATION
F.A.I. 94/90 (DAN RYAN EXPRESSWAY)

31ST STREET TO 71ST STREET
NB EXPRESS LANE RECONSTRUCTION
OVERHEAD SIGN STRUCTURES

STATE OF ILLINOIS
DEPARTMENT OF TRANSPORTATION

ROUTE NO.	SECTION	COUNTY	TOTAL SHEETS	SHEET NO.
90/94		COOK	556	300
FED. ROAD DIST. NO. 7	ILLINOIS	FED. AID PROJECT-		
62300 • (1818, ETC, 2324.6-1P) R-8				

* Anchor rod shall be ground or filed to bright metal at clamp and cable connection location.



NOTES:

The foundation dimensions shown are based on the presence of mostly cohesive soils with an average Unconfined Compressive Strength (Qu) of at least 1.25 tsf, which must be determined by previous soil investigations at the jobsite. When other conditions are indicated, the boring data will be included in the plans and the foundation dimensions shown will be the result of site specific designs.

If the conditions encountered are different than those indicated, the Contractor shall notify the Engineer to determine if the foundation dimensions need to be modified. If dimensions "B" or "F" are revised by more than 12" by the Contractor, "as-built" plans shall be prepared and submitted to the District Bureau of Operations for future reference.

No sonotubes or decomposable forms shall be used below the lower conduit entrance. Permanent metal forms or other shielding may not be left in place below that elevation without the Engineer's written permission.

Concrete shall be placed monolithically, without construction joints.

Backfill shall be placed per Article 502 of Standard Specification and prior to erection of support column.

A normal surface finish followed by a Bridge Seat Sealer application will be required on concrete surfaces above the lowest elevation 6" below finished ground line. Cost included in "Drilled Shaft Concrete Foundation".

Face of median support foundation shall match dimensions of permanent barrier wall F shape.

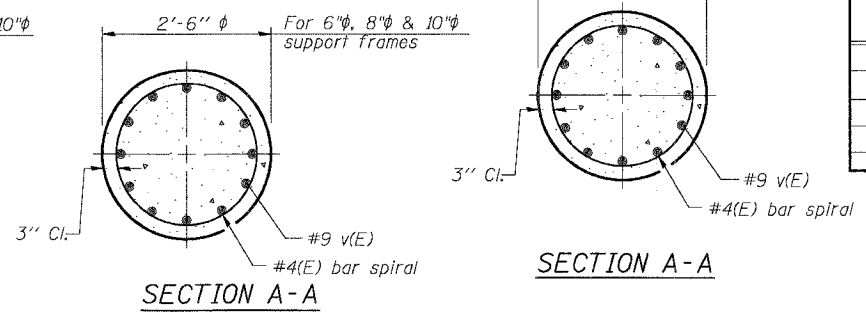
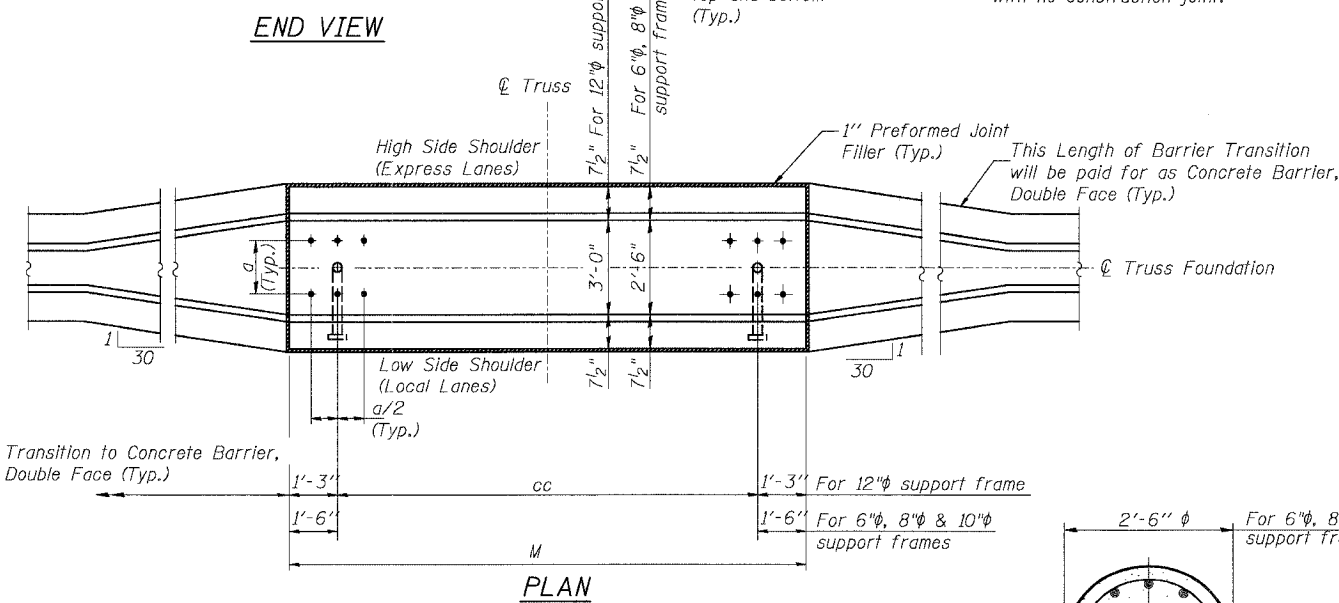
Refer to CONTRACT 62583 for orientation and location of the conduit.

BAR LIST - EACH FOUNDATION

Bar	Number	Size	Length	Shape
h(E)	10	#5	M less 0'-4"	—
s(E)	9	#5	Varies	□
v(E)	24	#9	F less 0'-5"	—
v(E)	16	#9	F less 0'-5"	—
#4(E) bar spiral - see Side Elevation				

LEFT FOUNDATION USES SINGLE FACE MEDIAN SUPPORT FOUNDATION

Pipe Support Frame	Structure Number	Station	Left Foundation		Right Foundation		Class SI Concrete (Cu. Yds.)				
			Elevation Top	Elevation Bottom	B	F		Elevation Top	Elevation Bottom	B	F
12"φ	ISO161094L055.41	4598+65	14.84'	-9.16	18.0'	24.0'	-	-	-	-	14.7
10"φ	ISO161094L056.6	4536+00±	8.39	-14.00	16.5'	21.5'	-	-	-	-	11.2
8"φ	ISO161094L056.43	4545+35±	11.00	-11.11	14.5'	20.14'	-	-	-	-	9.9
8"φ	ISO161094L055.94	4571+00±	1.71	-10.22	14.5'	11.93'	-	-	-	-	10.2
12"φ	ISO161094L055.41	4599+00±	13.72	-11.20	18.0'	24.92'	-	-	-	-	17.0



Pipe Support Frames	cc	M	a	a/2
6"φ	7'-0"	9'-6"	0'-11"	5 1/2"
8"φ	7'-6"	10'-0"	1'-1 1/2"	6 3/4"
10"φ	8'-3"	10'-9"	1'-3"	7 1/2"
12"φ	9'-0"	12'-0"	1'-6"	9"

DESIGNED	-	20
CHECKED	-	EXAMINED
DRAWN	-	PASSED
CHECKED	-	ENGINEER OF STRUCTURAL SERVICES
		ENGINEER OF BRIDGES AND STRUCTURES

MODIFIED FROM OS4-MED

SGN-20

OVERHEAD SIGN STRUCTURES
MEDIAN SUPPORT FOUNDATION DETAILS

F.A.I. 94/90 (DAN RYAN EXPRESSWAY)
31ST STREET TO 71ST STREET
NB EXPRESS LANE RECONSTRUCTION

OVERHEAD SIGN STRUCTURES

6/24/2005 10:56:42 AM