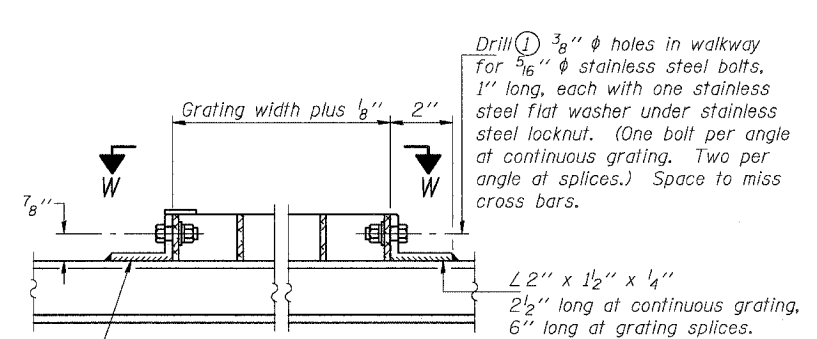
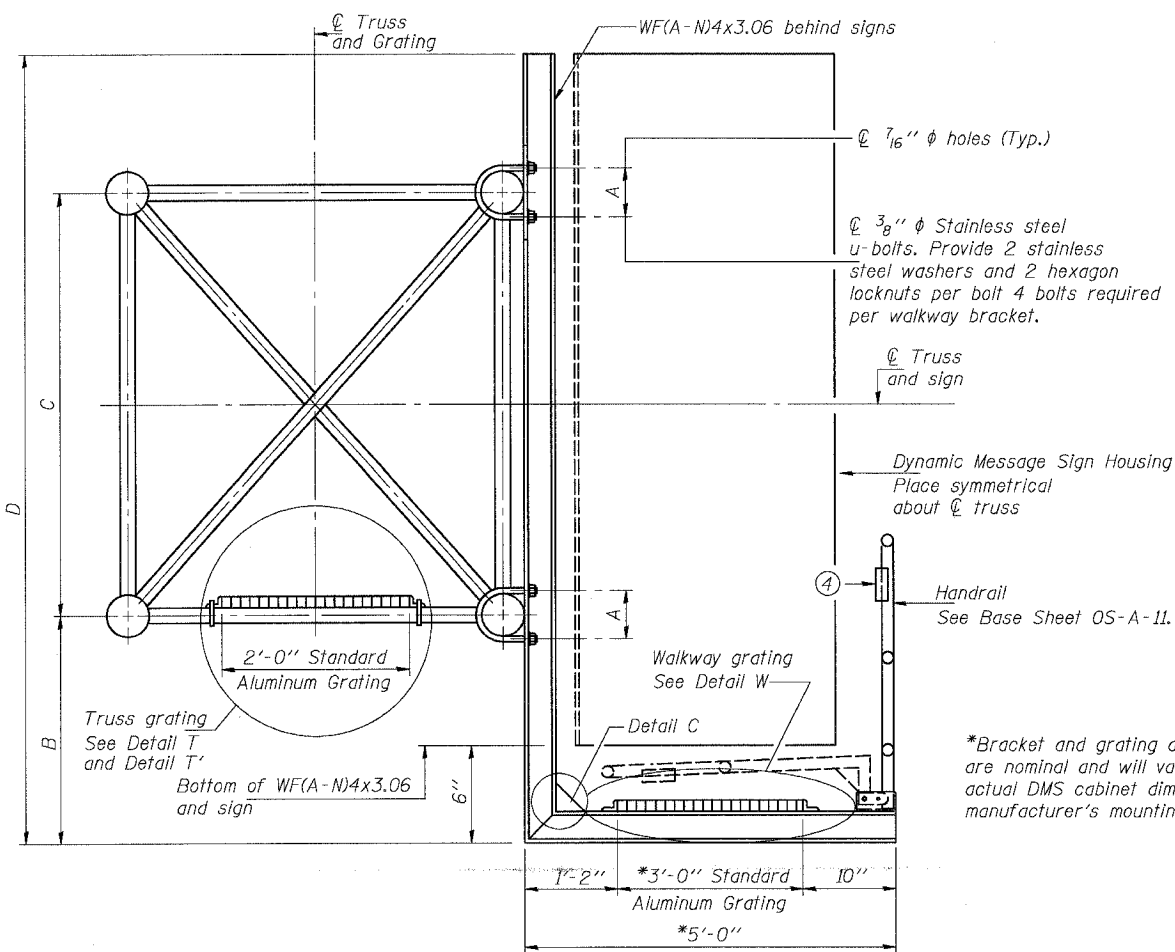
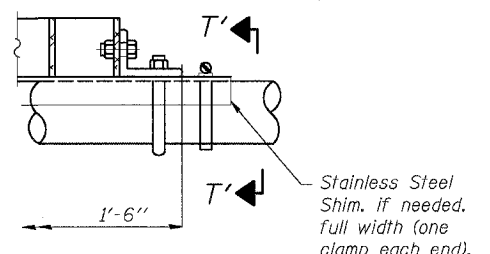


STATE OF ILLINOIS
DEPARTMENT OF TRANSPORTATION

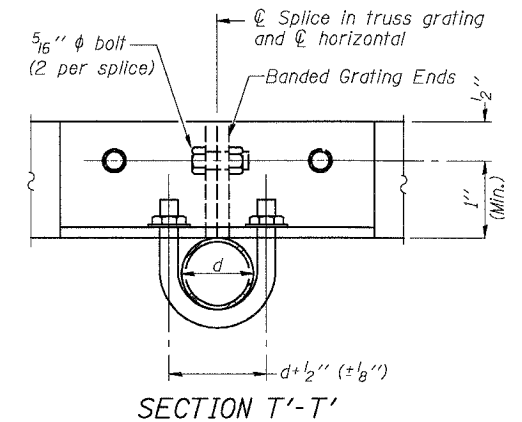
ROUTE NO.	SECTION	COUNTY	SHEET	SHEET
			598	321
F.A.I.				



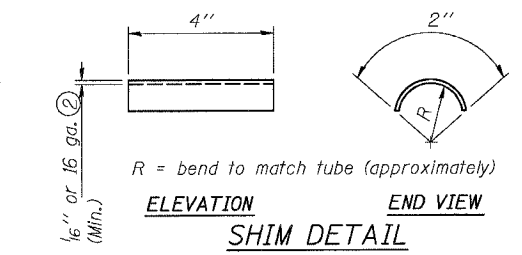
DETAIL W
(Walkway grating)



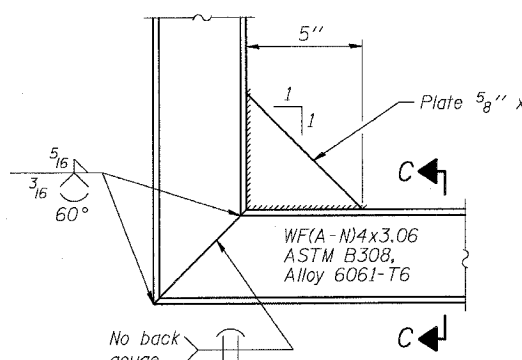
DETAIL T'
(Truss grating splice)
Details not shown same as Detail T.
Alternate materials may be used subject to the Engineer's review and approval.



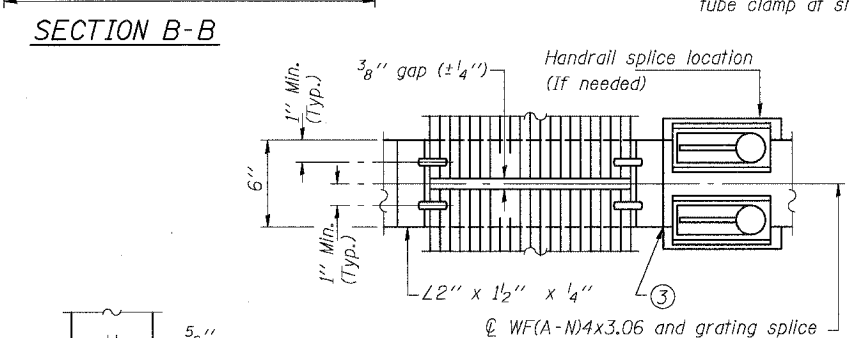
SECTION T'-T'



SHIM DETAIL

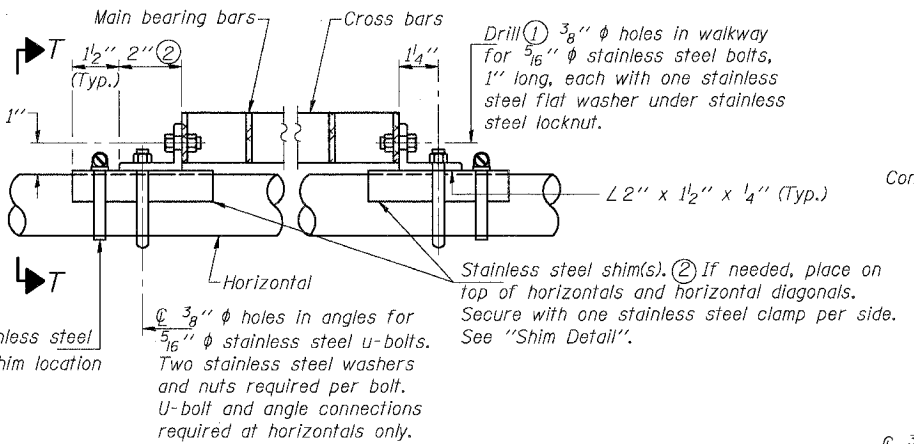


DETAIL C
(See Detail P, Base Sheet OS-A-11.)

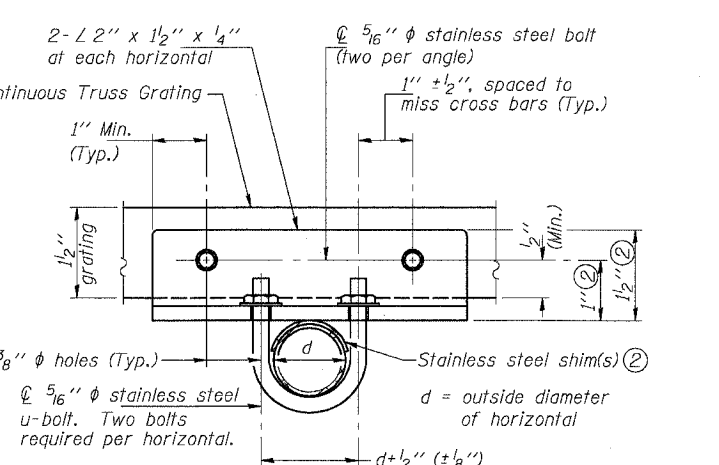


SECTION B-B

(AT WALKWAY GRATING SPLICE)



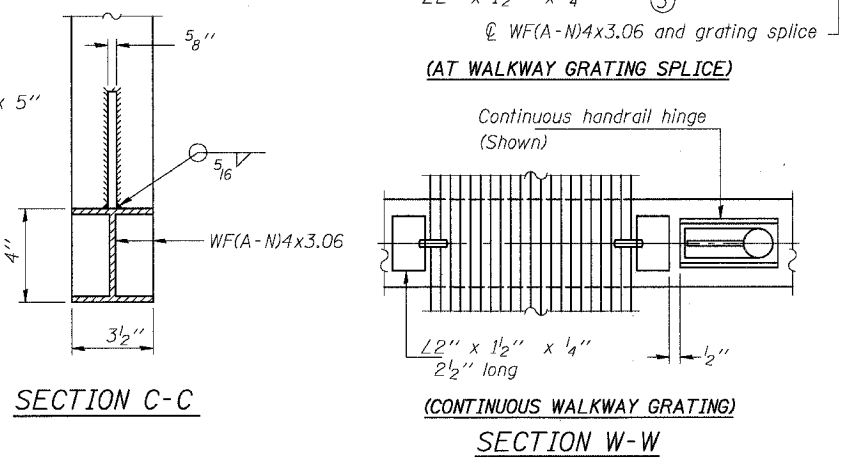
DETAIL T
(Continuous Truss grating)



SECTION T-T

SPECIFICATIONS FOR STANDARD ALUMINUM GRATING

Main Bearing Bars shall be 3/16" x 1 1/2" on 1 3/16" centers and conform to ASTM B211 Alloy 6061-T6.
Cross bars shall be 3/16" x 1 1/2" on 4" centers and conform to ASTM B221 Alloy 6063-T5 or 6061-T6.
OR
Aluminum Grating with modified "I" sections for main bearing bars shall meet the following requirements:
Main bars shall conform to ASTM B221 Alloy 6061-T6 and have a minimum section modulus equal to 0.0705 in.³ per bar, a depth of 1 1/2", spaced on 1 3/16" centers.
Cross bars shall conform to ASTM B221 Alloy 6063-T5 or T-42 and spaced on 4" centers.



SECTION C-C

(CONTINUOUS WALKWAY GRATING)

SECTION W-W

DESIGNED	EXAMINED	19
CHECKED	PASSED	ENGINEER OF STRUCTURAL SERVICES
DRAWN	PASSED	ENGINEER OF BRIDGES AND STRUCTURES
CHECKED		

NUMBER	REVISION	DATE

Structure Number	Station	A	B	C	D
IS0161094R055.6A	3585+80	7 1/2'	1.25'	7.0'	9.00'

OVERHEAD SIGN STRUCTURES
ALUMINUM WALKWAY DETAILS
ILLINOIS DEPARTMENT OF TRANSPORTATION
F.A.I. 94/90 (DAN RYAN EXPRESSWAY)
31ST STREET TO 71ST STREET
NB EXPRESS LANE RECONSTRUCTION