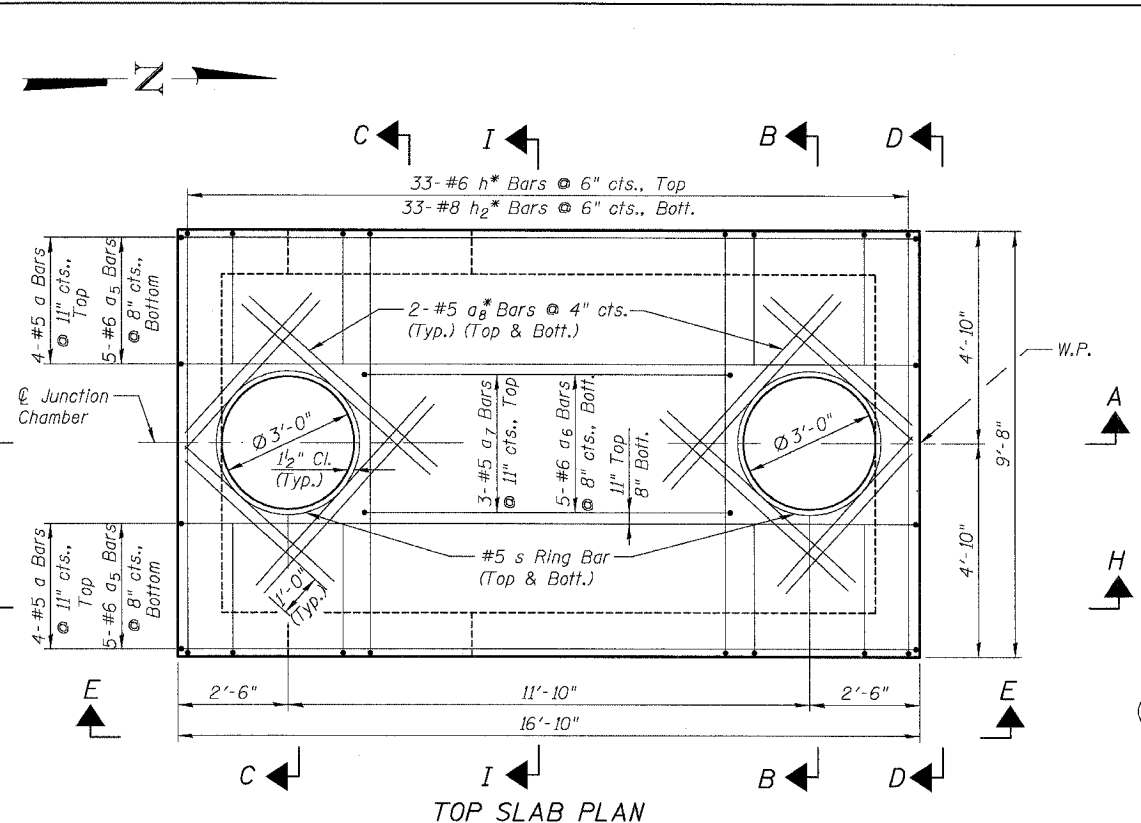


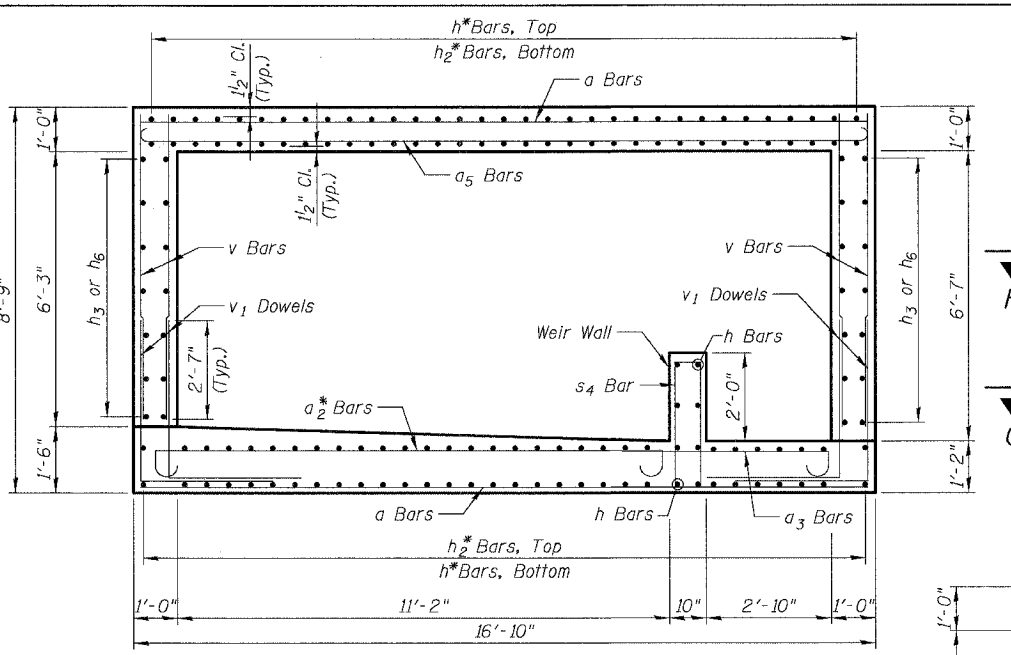
F.A.I.	SECTION	COUNTY	TOTAL SHEETS	SHEET NO.
94/90	*	COOK	598	455
STA.		TO STA.		
62302		ILLINOIS FED. AID PROJECT		
FED. ROAD DIST. NO.		* (1818, ETC, 2324, 6-1P1R-9		



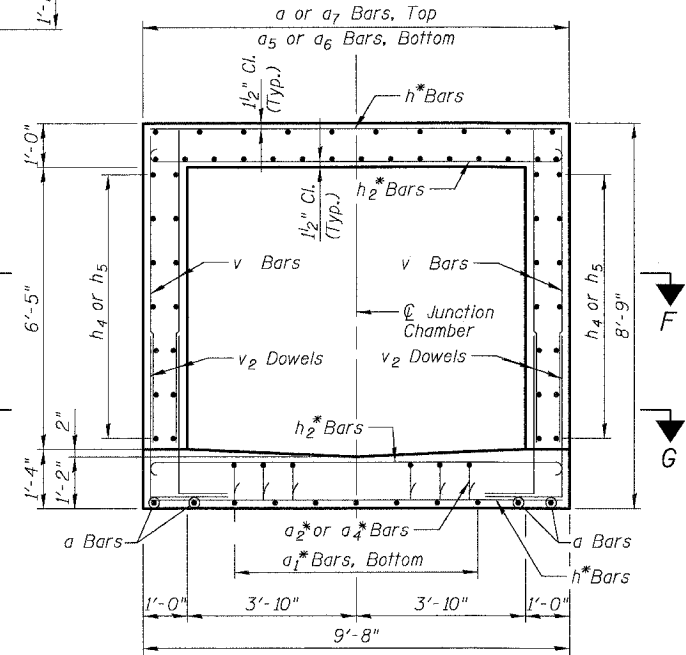
TOP SLAB PLAN

Adjust openings in top slab for final location of frame and grate required due to roadway barrier location. Adjust reinforcement as required for position of openings.

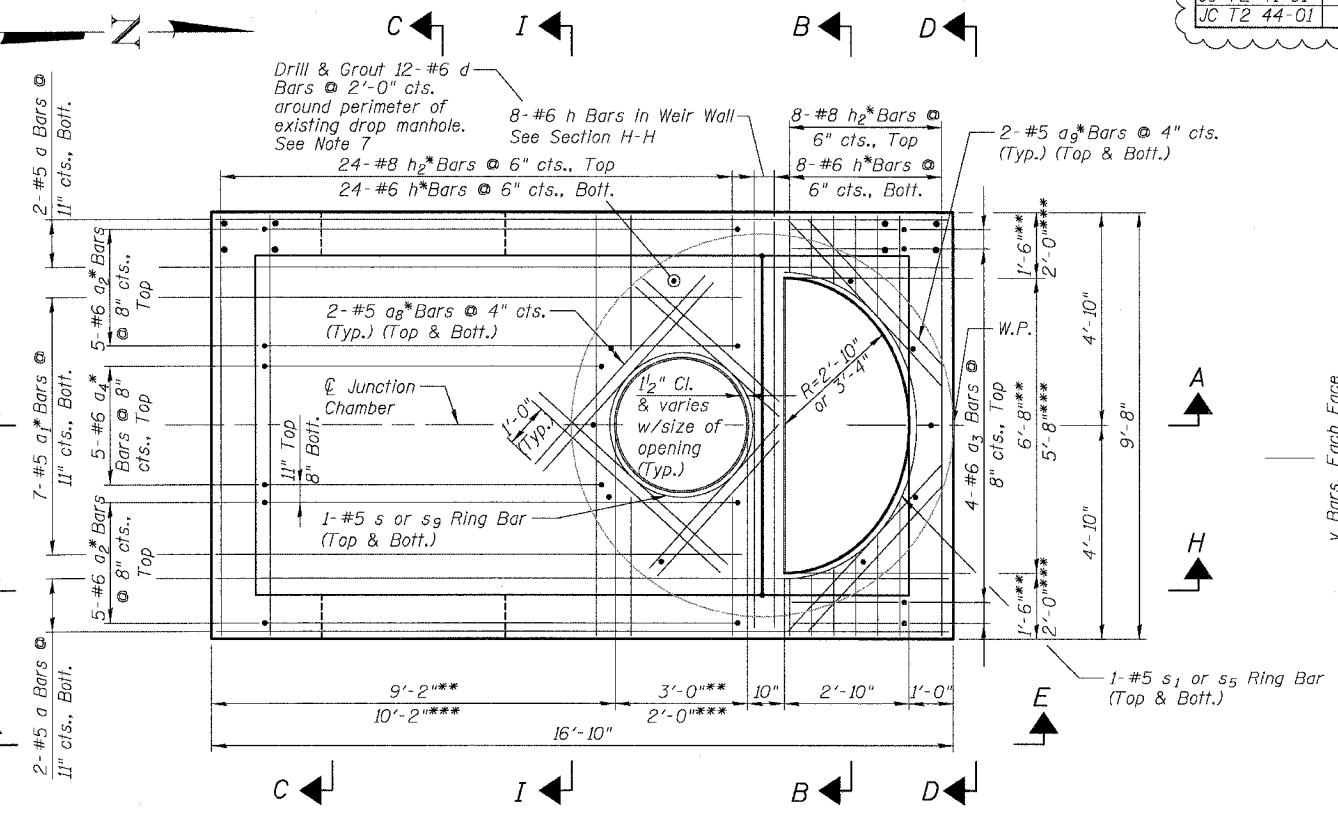
JC T2 19-01	***
JC T2 20-01	***
JC T2 23-01	***
JC T2 24-01	***
JC T2 28-01	**
JC T2 32-01	**
JC T2 35-02	**
JC T2 37-01	***
JC T2 38-01	**
JC T2 41-01	**
JC T2 44-01	**



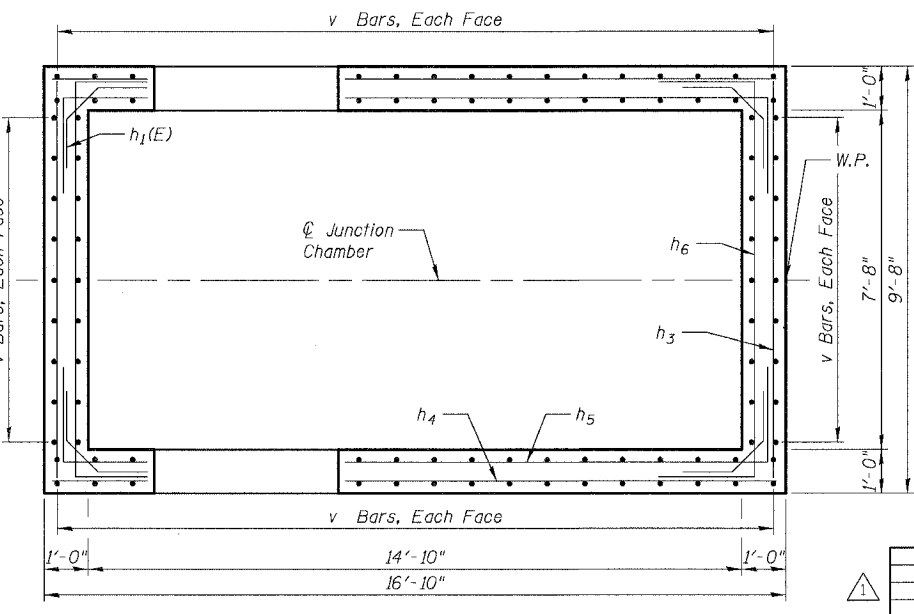
SECTION H-H



SECTION I-I



BOTTOM SLAB PLAN



SECTIONAL PLAN F-F

NOTES:

1. See Sheet JC-4 for Sections A-A, B-B, C-C, D-D and Sectional Plan G-G. See Sheet JC-5 for Section E-E and Bill of Bars.
2. All dimensions and elevations shall be field verified prior to construction.
3. Concrete pipe sizes shall be coordinated with openings provided into junction chamber before pouring concrete.
4. Manhole Frame, Ladder Rungs and any inserts installation shall be coordinated with Drainage Plans.
5. Concrete cover for reinforcement steel to be 2" unless otherwise noted.
6. All lap splices marked on the drawings are minimum.
7. Epoxy Grout #6 d bars in drilled holes with a min. depth of 9" in accordance with Art. 584 of the Std. Specs. Drill holes a min. of 4" from edge of existing concrete. Orient hook to fit.

REVISIONS	
NAME	DATE
ADDENDUM 1	8/12/05

ILLINOIS DEPARTMENT OF TRANSPORTATION
 F.A.I. 94/90 (DAN RYAN EXPRESSWAY)
 31ST STREET TO 71ST STREET
 SB EXPRESS LANE RECONSTRUCTION
 JUNCTION CHAMBER, TYPE 2
 REINFORCEMENT DETAILS 1
 SCALE: N.T.S. DRAWN BY: DJM
 DATE: 07/07/05 CHECKED BY: BLU

BOWMAN, BARRETT & ASSOCIATES INC.
 CONSULTING ENGINEERS
 Chicago, Illinois
 312.228.0100
 www.bbandainc.com

8/11/2005 8:56:33 AM n:\650\cadd\p\INVS\STRUCTURES\660_JunctionChamber.dwg