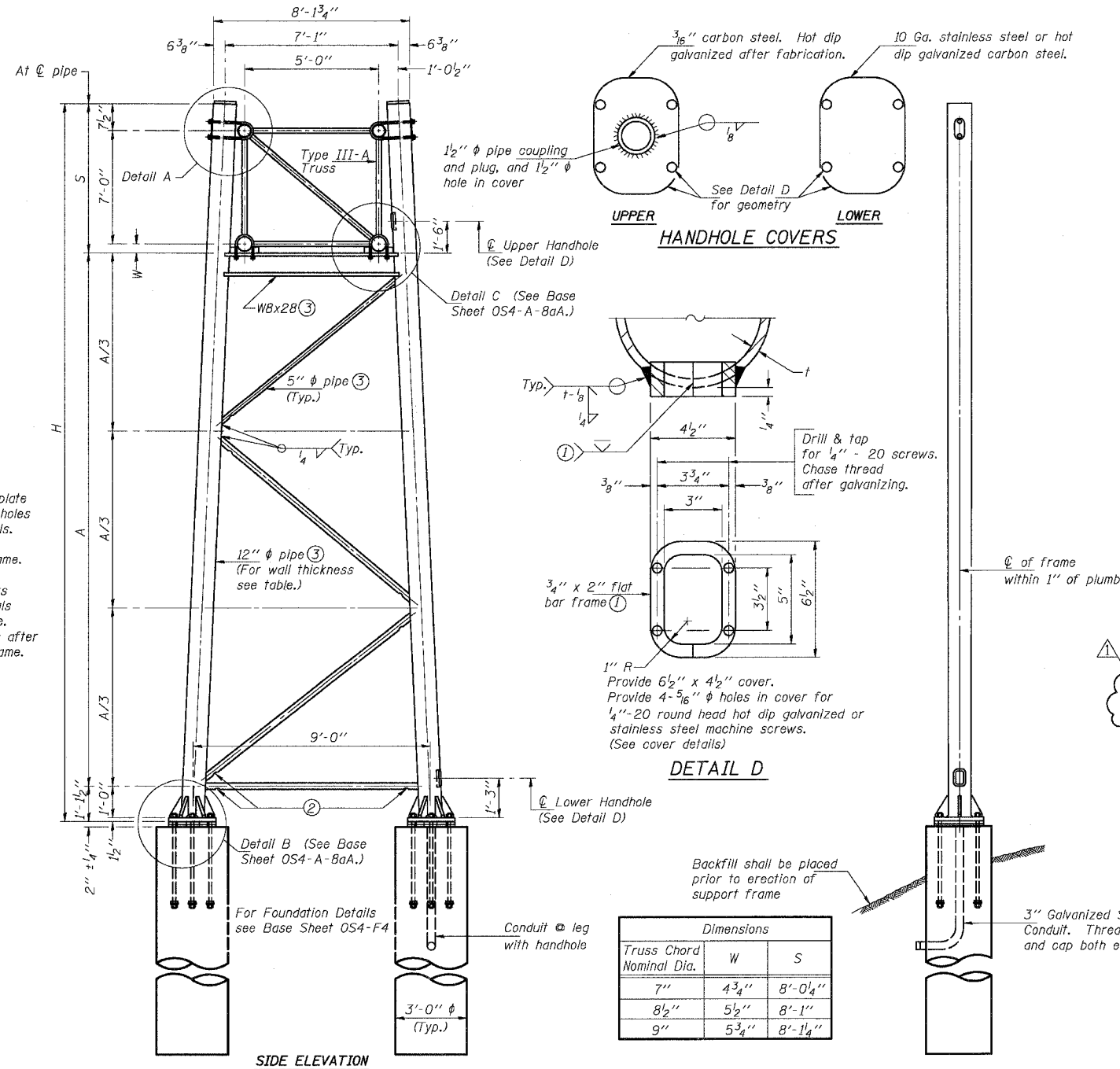
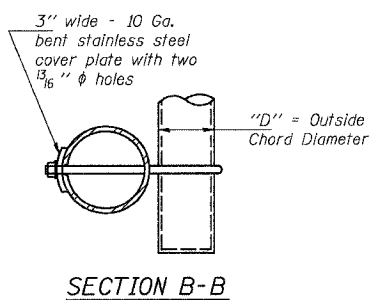
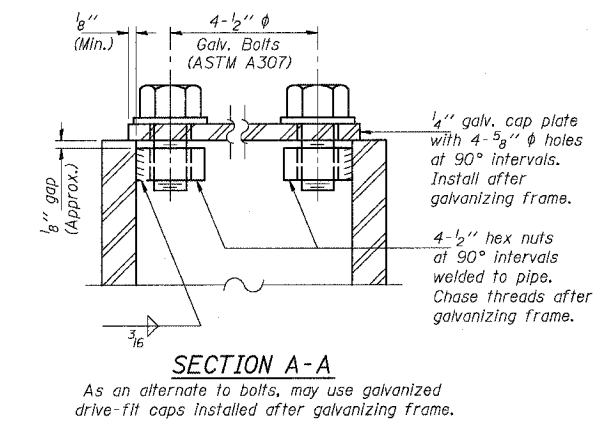
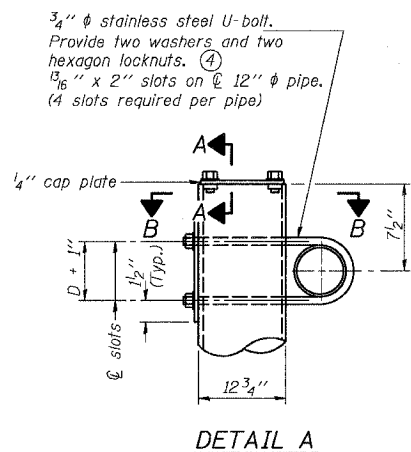


STATE OF ILLINOIS  
DEPARTMENT OF TRANSPORTATION

|                                |          |                   |              |           |
|--------------------------------|----------|-------------------|--------------|-----------|
| ROUTE NO.                      | SECTION  | COUNTY            | TOTAL SHEETS | SHEET NO. |
| 94/90                          | *        | COOK              | 556          | 292       |
| FED. ROAD DIST. NO. 7          | ILLINOIS | FED. AID PROJECT- |              |           |
| 62300 *1818, ETC. 2324.6-IPR-B |          |                   |              |           |



Support Design Loads: See Base Sheet OS-A-1 for design and loading criteria.  
Load combinations checked include deadload plus:  
a) 100% wind normal to sign, 20% parallel to sign  
b) 60% wind normal to sign, 30% parallel to sign

- In lieu of fabricated handhole frame as shown, may cut from 2" plate (rolling direction vertical). All cut faces to be ground to ANSI Roughness of 500  $\sqrt{in}$  or less.
- Galvanizing vent holes of adequate size shall be provided on underside at each end of bracing pipes. Alternately, holes may be provided in wall of pipe column. All vent holes shall be drilled and de-burred. (Typ.)
- Steel pipe, plate, carbon steel handhole covers and rolled sections shall be hot dip galvanized after fabrication. Painting is not permitted. See Base Sheet OS-A-1.
- See General Notes for fasteners.
- Dimensions shown are based on selection criteria in the Sign Structures Manual. Nonstandard applications must have dimensions verified or amended as appropriate.

| Structure Number | Station | Support |       | Pipe Wall Thickness | N      | A      |
|------------------|---------|---------|-------|---------------------|--------|--------|
|                  |         | Left    | Right |                     |        |        |
| ISO16I094L055.41 | 4598+65 |         | X     | 0.33                | 25.1'  | 15.95' |
|                  |         |         | X     | 0.33                | 24.22' | 15.07' |
|                  |         |         |       |                     |        |        |
|                  |         |         |       |                     |        |        |
|                  |         |         |       |                     |        |        |
|                  |         |         |       |                     |        |        |
|                  |         |         |       |                     |        |        |
|                  |         |         |       |                     |        |        |
|                  |         |         |       |                     |        |        |
|                  |         |         |       |                     |        |        |
|                  |         |         |       |                     |        |        |
|                  |         |         |       |                     |        |        |
|                  |         |         |       |                     |        |        |
|                  |         |         |       |                     |        |        |

TRUSS SUPPORT DETAILS  
(12"  $\phi$  Pipe-Type III-A Truss)

| NUMBER | REVISION | DATE |
|--------|----------|------|
|        |          |      |
|        |          |      |
|        |          |      |
|        |          |      |
|        |          |      |
|        |          |      |
|        |          |      |
|        |          |      |
|        |          |      |
|        |          |      |

|          |    |                                    |
|----------|----|------------------------------------|
| DESIGNED | SL | 20                                 |
| CHECKED  | AS | EXAMINED                           |
| DRAWN    | MD | PASSED                             |
| CHECKED  | SL | ENGINEER OF STRUCTURAL SERVICES    |
|          |    | ENGINEER OF BRIDGES AND STRUCTURES |

OS4-A-8a 11/1/2002

ADDENDUM 1

8/12/05

OVERHEAD SIGN STRUCTURES  
SUPPORT FRAME for TYPE III-A ALUMINUM TRUSS  
ILLINOIS DEPARTMENT OF TRANSPORTATION  
F.A.I. 94/90 (DAN RYAN EXPRESSWAY)  
31ST STREET TO 71ST STREET  
NB EXPRESS LANE RECONSTRUCTION  
OVERHEAD SIGN STRUCTURES