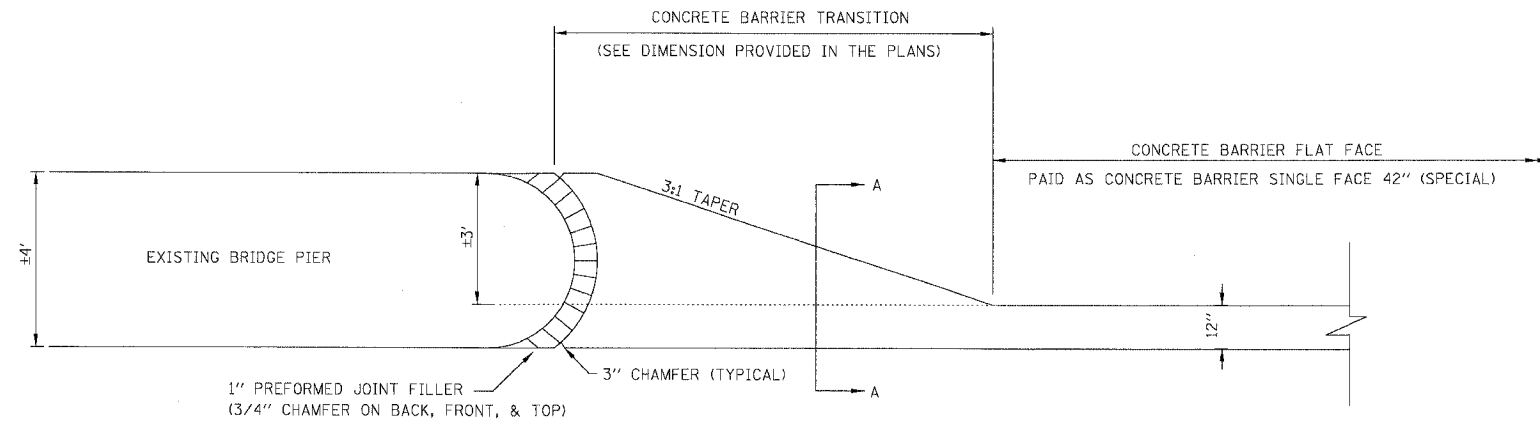
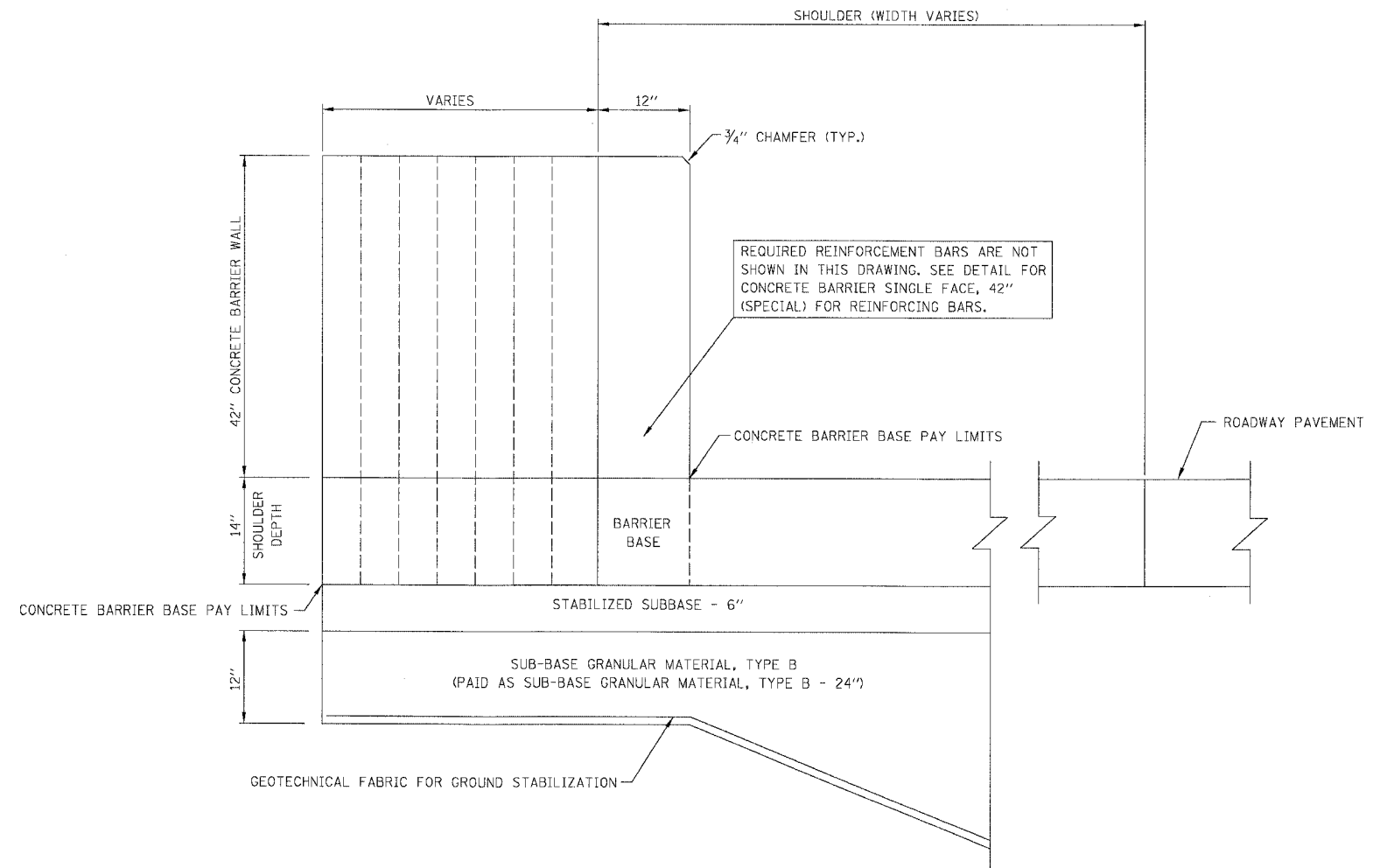


F.A.I.	SECTION	COUNTY	TOTAL SHEETS	SHEET NO.
94/90		COOK	556	362
STA.	TO STA.			
FED. ROAD DIST. NO.	ILLINOIS	FED. AID PROJECT		
62300	*1818, ETC, 2324.6-1PR-8			



CONCRETE BARRIER FLAT FACE

STA. 2575+72.07 TO STA. 2576+21.44
STA. 2576+40.50 TO STA. 2576+78.37



SECTION A-A

REVISIONS	
NAME	DATE

CDT-15

ILLINOIS DEPARTMENT OF TRANSPORTATION
F.A.I. 94/90 (DAN RYAN EXPRESSWAY)
31ST STREET TO 71ST STREET
NB EXPRESS LANE RECONSTRUCTION

CONCRETE BARRIER FLAT FACE

SCALE: NTS
DATE: 07/07/05

DRAWN BY: JDC
CHECKED BY: RS

BOWMAN, BARRETT & ASSOCIATES INC.
CONSULTING ENGINEERS
Chicago, Illinois
312.228.0100
www.bbandainc.com

6/27/2005 5:17:41 PM