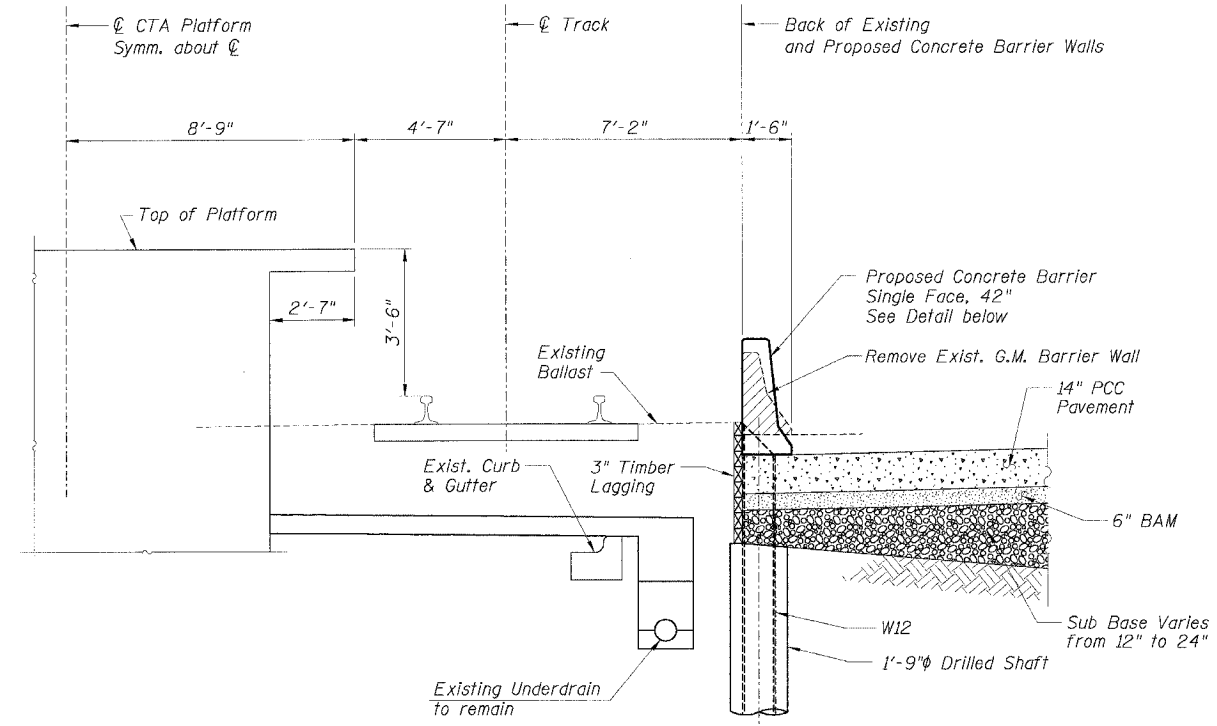
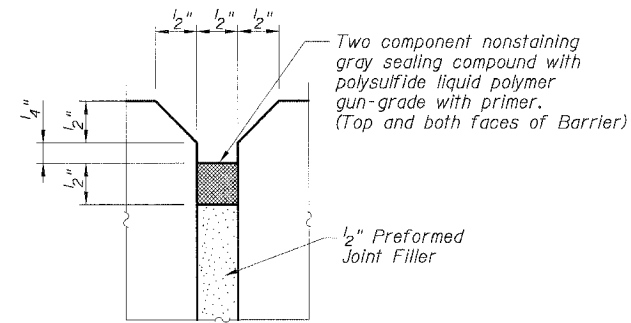


STATE OF ILLINOIS
DEPARTMENT OF TRANSPORTATION

F.A.I. RTE.	SECTION	COUNTY	TOTAL SHEETS	SHEET NO.
90/94		COOK	598	414
STA.		TO STA.		
FED. ROAD DIST. NO. 1		ILLINOIS	FED. AID PROJECT	
(1816, ETC., 2324.6-10R-9		62302		



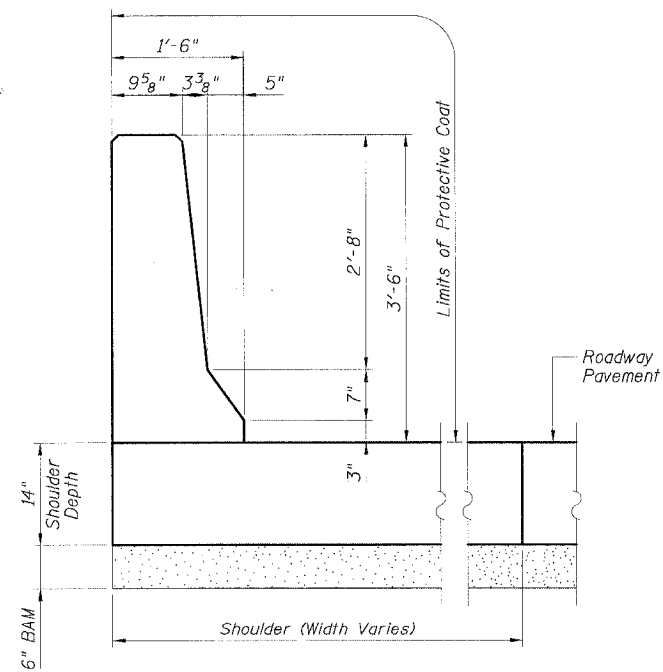
TYPICAL SECTION
AT 69TH ST. STATION (SB)



EXPANSION JOINT DETAIL

BILL OF MATERIAL

Bar	No.	Size	Length	Shape
Item	Unit	Quantity		
Concrete Barrier Removal	Foot			
Furnishing Soldier Piles W12x	Foot			
Drilling and Setting Soldier Piles (In Soil)	Cu. Ft.			
Untreated Timber Lagging	Sq. Ft.			
Concrete Barrier Single Face, 42" (Special)	Foot			
Protective Coat	Sq. Yd.			



CONCRETE BARRIER
SINGLE FACE, 42"
(DIMENSIONS)

NOTES:

- See "Concrete Barrier Single Face, 42" (Special)" for reinforcing details.
- Provide construction joints in the Single Face, 42" Barrier on maximum of 30'-0" centers.
- Provide 1/2" expansion joints in the Concrete Barrier Single Face, 42" on maximum of 90'-0" centers.
- The cost of furnishing and installing sealing compound shall be included in the cost per cubic yard for Concrete Barrier Single Face, 42" (Special).

LEGEND:

	Concrete Removal
	PCC Pavement
	BAM
	Sub Base
	Earth

REVISIONS	
NAME	DATE
MJP	8-12-05

Sheet B6 of 18

ILLINOIS DEPARTMENT OF TRANSPORTATION
F.A.I. 90/94 (DAN RYAN EXPRESSWAY)
71ST STREET TO 31ST STREET (SB EXPRESS LANES)
EXISTING BARRIER WALL MODIFICATIONS
AT CTA STATIONS
TYPICAL SECTIONS & DETAILS
FOR 69TH ST. STATION (SB)

SCALE: None DRAWN BY: KWT
DATE: July 7, 2005 CHECKED BY: RDP