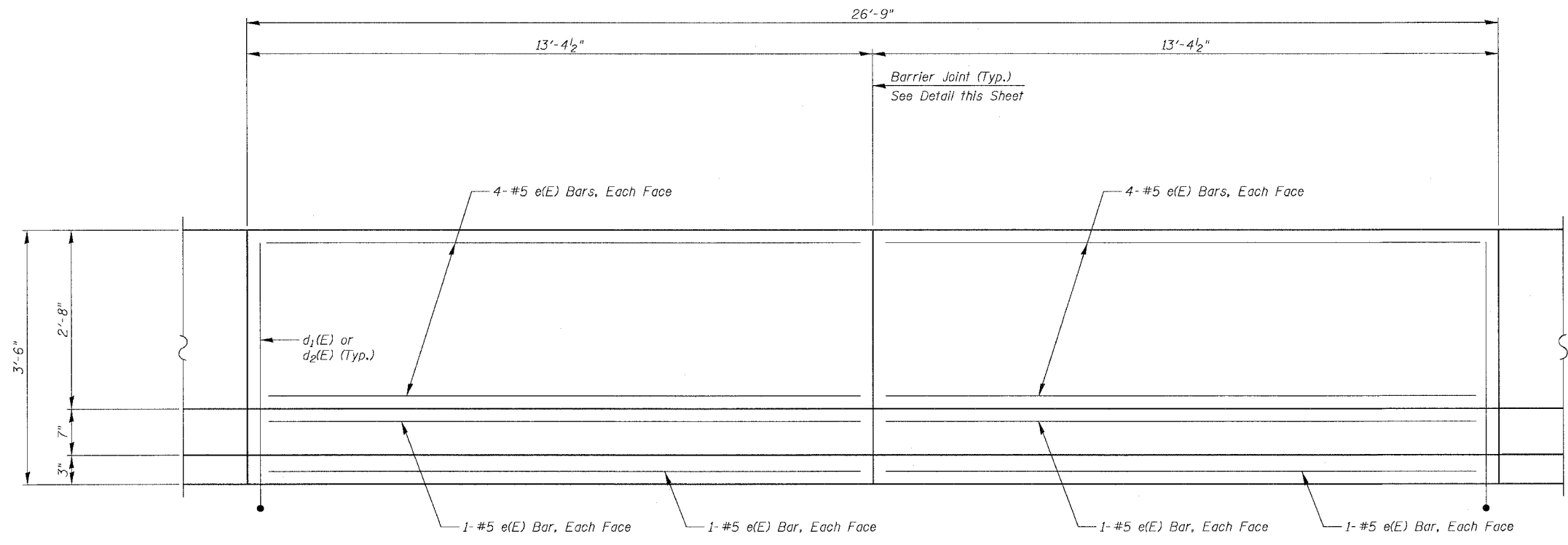


F.A.I.	SECTION	COUNTY	TOTAL SHEETS	SHEET NO.
94/90		COOK	598	479
STA.	TO STA.			
FED. ROAD DIST. NO.	ILLINOIS	FED. AID PROJECT		
62302		*1818, ETC, 2324.6-1PIR-9		

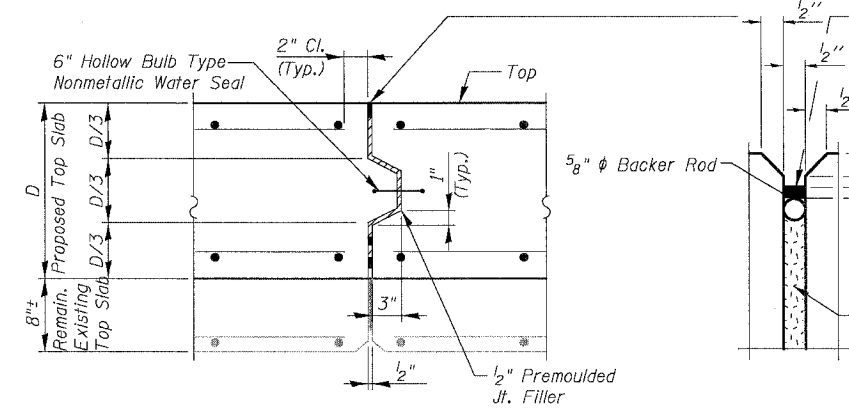
**TOP SLAB
BILL OF MATERIAL**

Bar	No.	Size	Length	Shape
a(E)	27	#5	10'-2"	—
a ₁ (E)	27	#5	23'-8"	—
a ₂ (E)	27	#5	21'-10"	—
a ₃ (E)	29	#5	10'-2"	—
a ₄ (E)	29	#5	23'-8"	—
a ₅ (E)	29	#5	19'-8"	—
a ₆ (E)	27	#6	4'-6"	—
b(E)	79	#7	26'-5"	—
b ₁ (E)	79	#7	8'-0"	—
b ₂ (E)	157	#7	28'-1"	—
b ₃ (E)	79	#7	4'-0"	—
b ₄ (E)	5	#5	26'-5"	—
d ₁ (E)	27	#6	5'-7"	L
d ₂ (E)	27	#5	5'-9"	L
e(E)	24	#5	13'-0"	—
Concrete Superstructure			Cu. Yd.	104.1
Bridge Deck Grooving			Sq. Yd.	812
Protective Coat			Sq. Yd.	235
Reinforcement Bars, Epoxy Coated			Pound	19,260
Bar Splicers			Each	133
CTA Fence			Foot	27

Reinforcement bars designated (E) shall be epoxy coated.
CTA Fence not shown for clarity. See Roadway Plans for fence details.
Cost of water seal, P.J.F. and Sealant included in the cost of Concrete Superstructure.



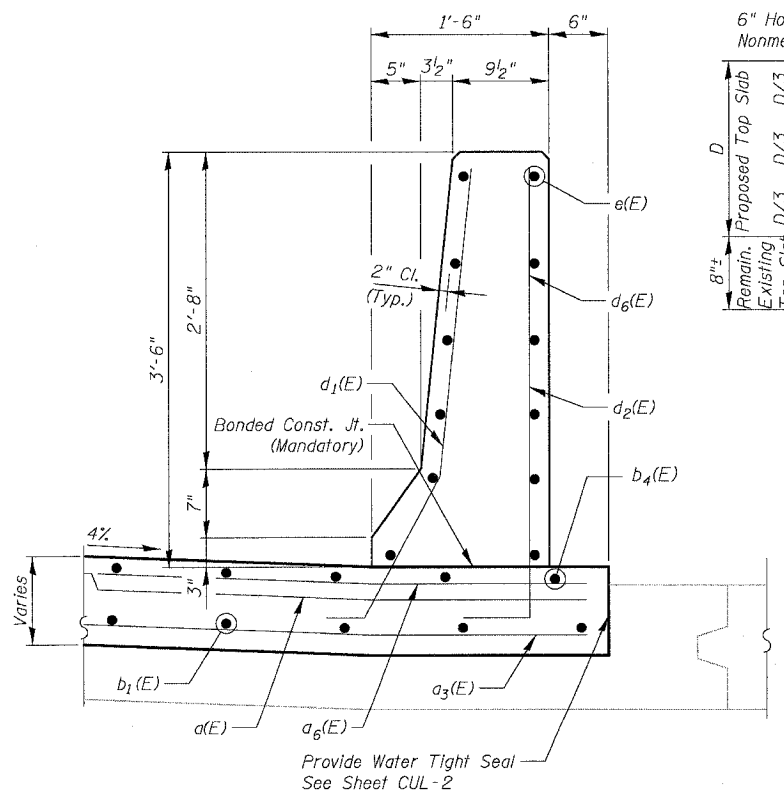
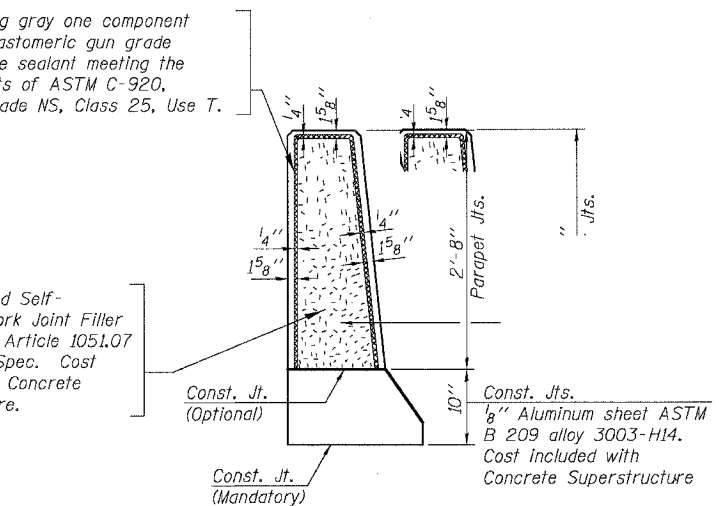
INSIDE ELEVATION OF SINGLE FACE BARRIER



Non-staining gray one component non-sag elastomeric gun grade polyurethane sealant meeting the requirements of ASTM C-920, Type S, Grade NS, Class 25, Use T.

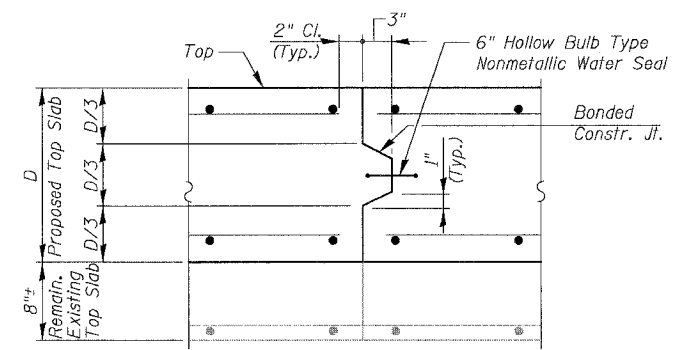
1/2" Preformed Self-Expanding Cork Joint Filler according to Article 105.107 of the Std. Spec. Cost included with Concrete Superstructure.

BARRIER JOINT DETAILS

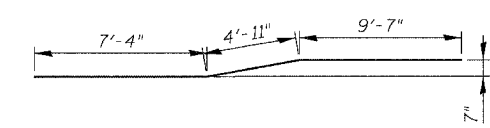


SECTION THRU SINGLE FACE BARRIER

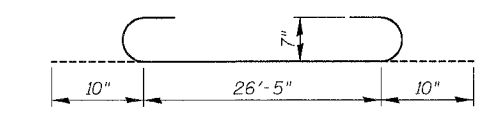
CULVERT EXPANSION JOINT
Do not seal until after grooving operations



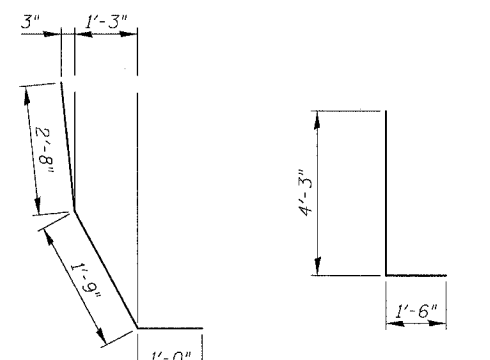
CULVERT CONSTRUCTION JOINT



BAR a₂(E)



BAR b₂(E)



BAR d₁(E)

BAR d₂(E)

REVISIONS		
NAME	DATE	
ADDENDUM 1	8/12/05	

SHEET CUL-5 OF CUL-14

ILLINOIS DEPARTMENT OF TRANSPORTATION
F.A.I. 94/90 (DAN RYAN EXPRESSWAY)
31ST STREET TO 71ST STREET
SB EXPRESS LANE RECONSTRUCTION
MWRD CULVERT, N. OF 39TH ST.,
COOK COUNTY, S.N. 016-2625
SUPERSTRUCTURE DETAILS

SCALE: N.T.S. DRAWN BY: MTR
DATE: 07/07/05 CHECKED BY: BLU

BOWMAN, BARRETT & ASSOCIATES INC.
CONSULTING ENGINEERS
Chicago, Illinois
312 228 0100
www.bbainc.com