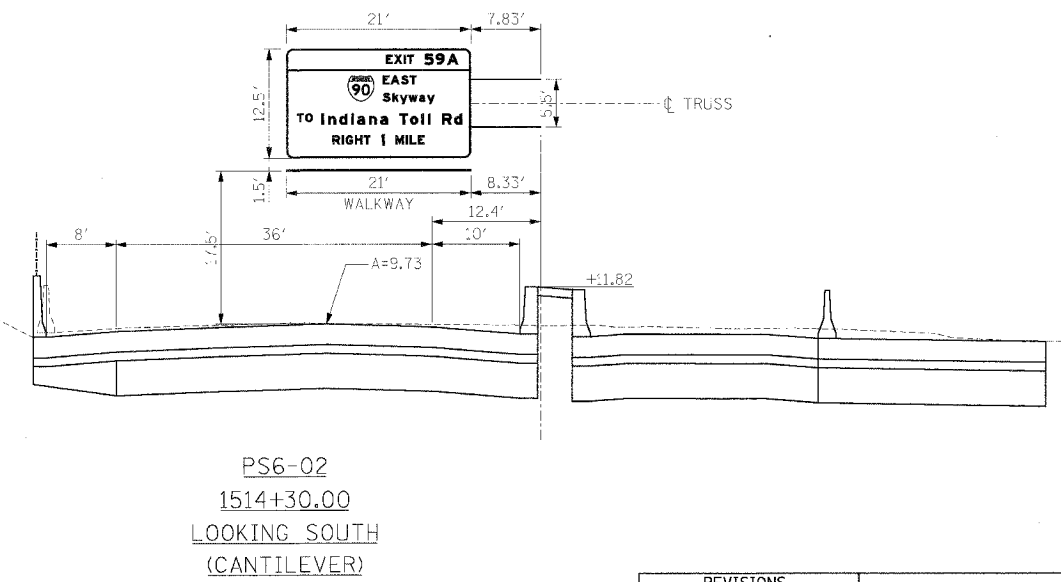
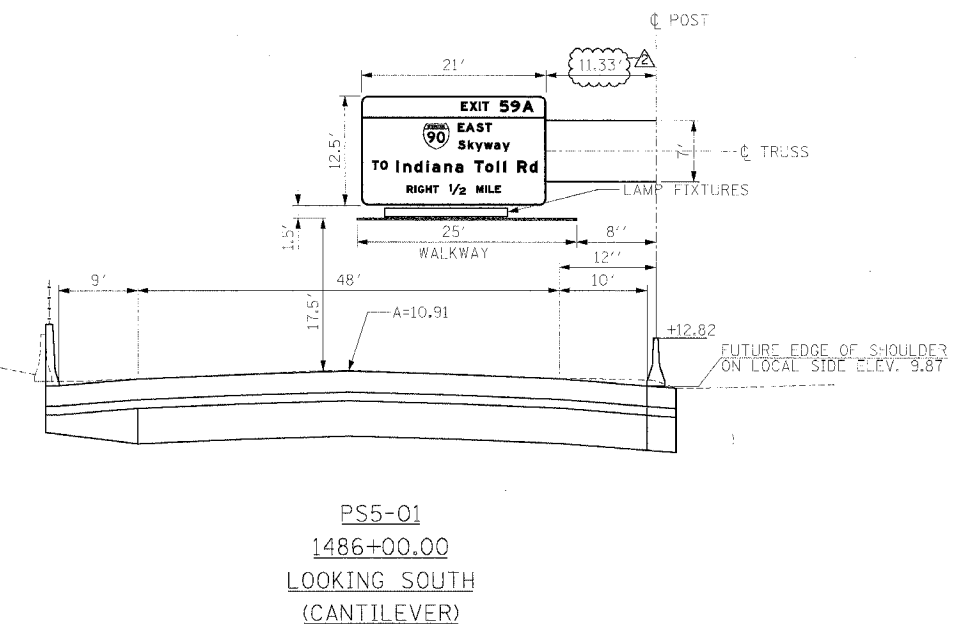
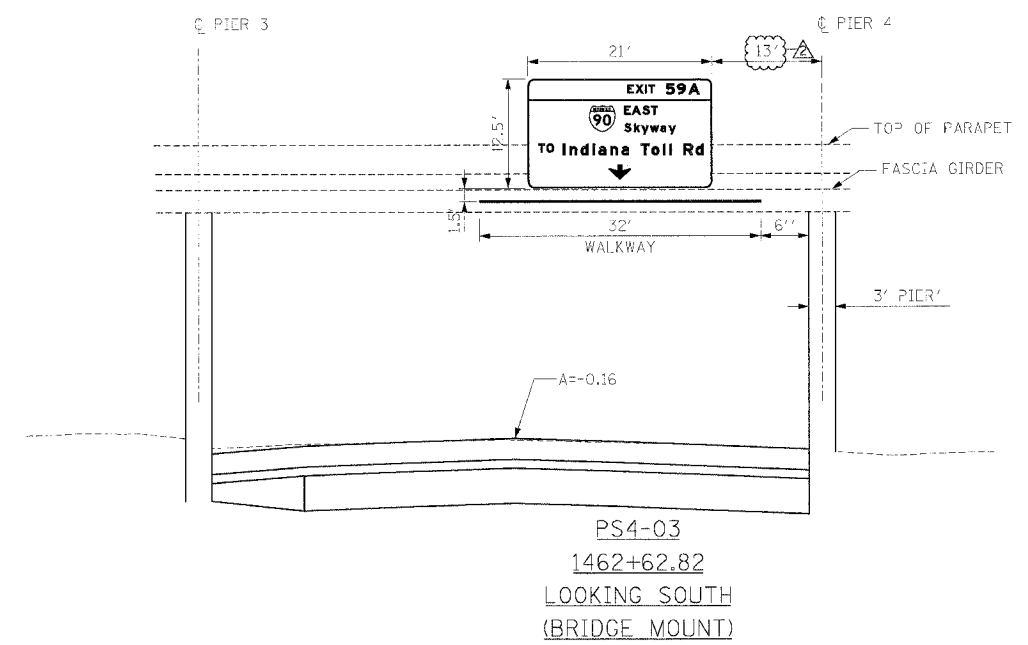
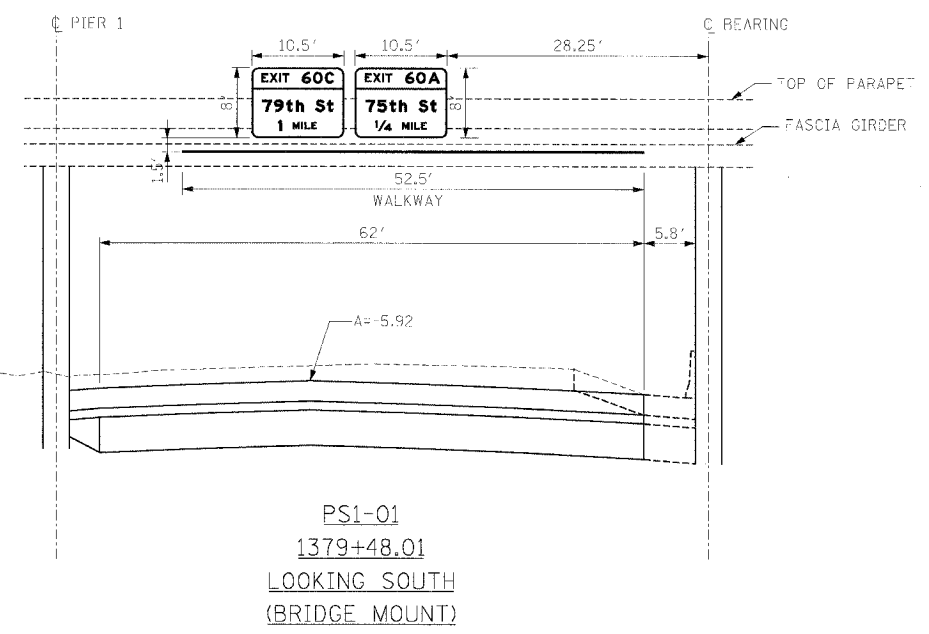


F.A.I. RTE.	SECTION	COUNTY	TOTAL SHEETS	SHEET NO.
94/90		COOK	598	302
STA.	TO STA.			
FED. ROAD DIST. NO. ILLINOIS FED. AID PROJECT				
62302 (1818, ETC, 2324.6-1P)R-9				



REVISIONS	
NAME	DATE
ADDENDUM 2	9/16/05

ILLINOIS DEPARTMENT OF TRANSPORTATION
 F.A.I. 94/90 (DAN RYAN EXPRESSWAY)
 31ST STREET TO 71ST STREET
 SB EXPRESS LANE RECONSTRUCTION
 SIGN PLACEMENT DETAILS

SCALE: NONE
 DATE: 7/7/05

DRAWN BY: RLK
 CHECKED BY: PJM

Edwards AND Kelcey
 ONE NORTH FRANKLIN
 CHICAGO, IL 60606
 PHONE: (312) 251-3000
 FAX: (312) 251-3015
 WEB: WWW.EKCORP.COM

09/14/2005 10:44 AM