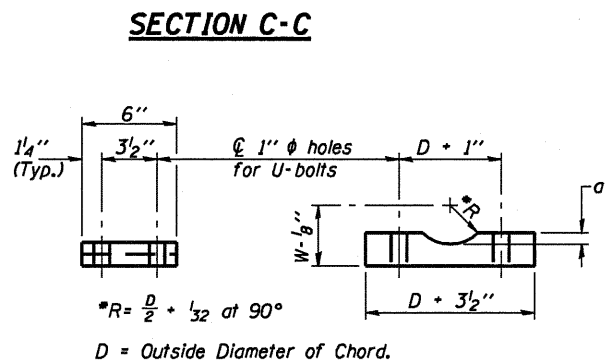
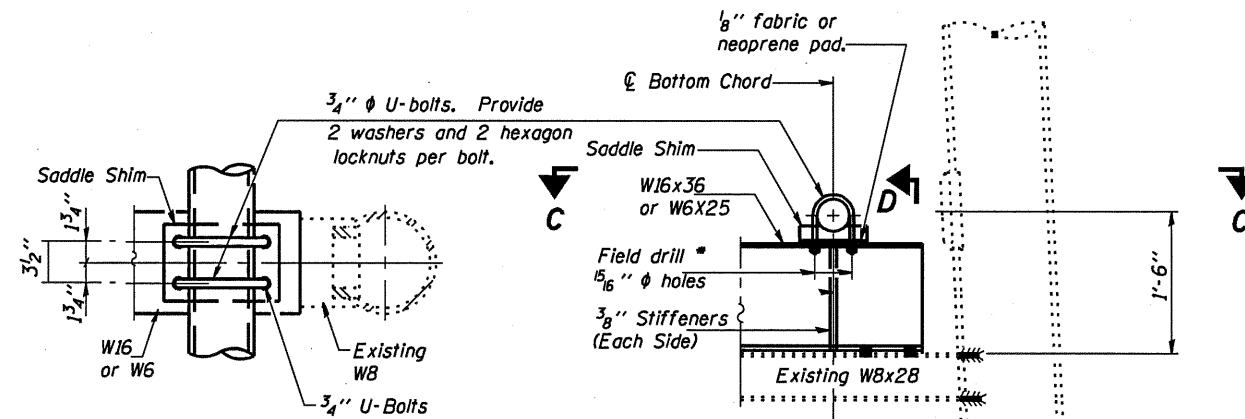
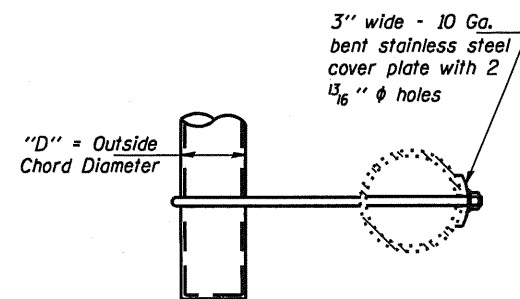
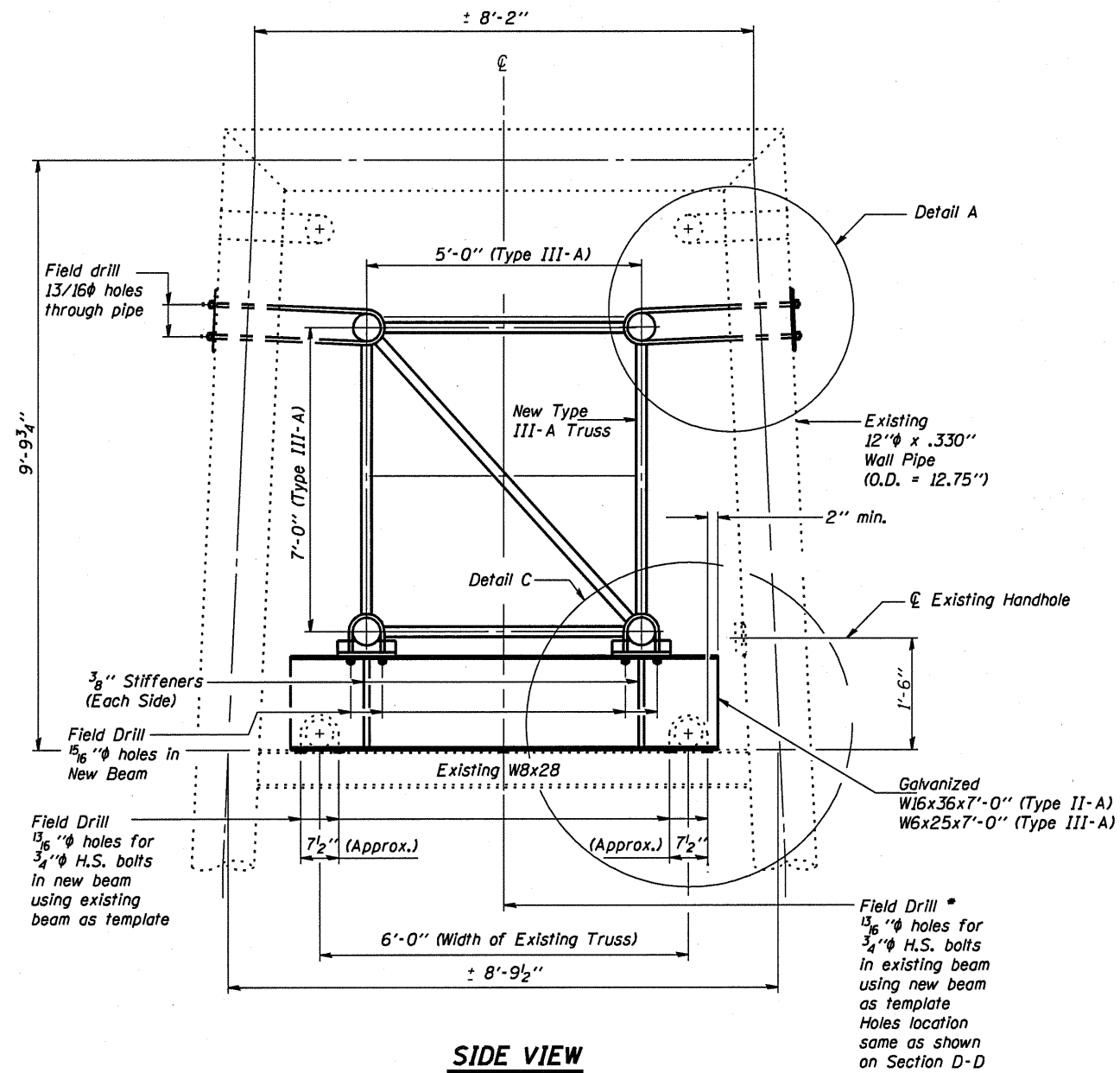


STATE OF ILLINOIS
DEPARTMENT OF TRANSPORTATION



Truss Chord Nominal Dia.	a	W
5 1/2"	13/16"	4 3/4"
6"	7/8"	4 3/4"
6 1/2"	15/16"	4 3/4"
7"	1"	5 1/2"
8 1/2"	1 1/4"	5 1/2"
9"	1 3/8"	5 1/2"

