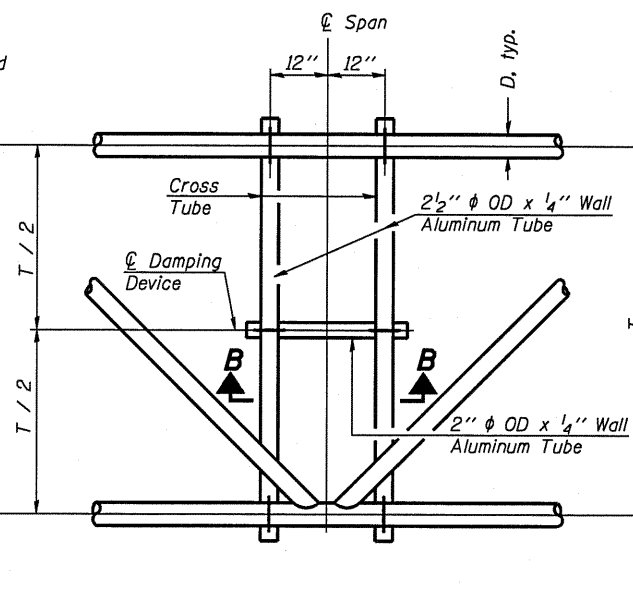
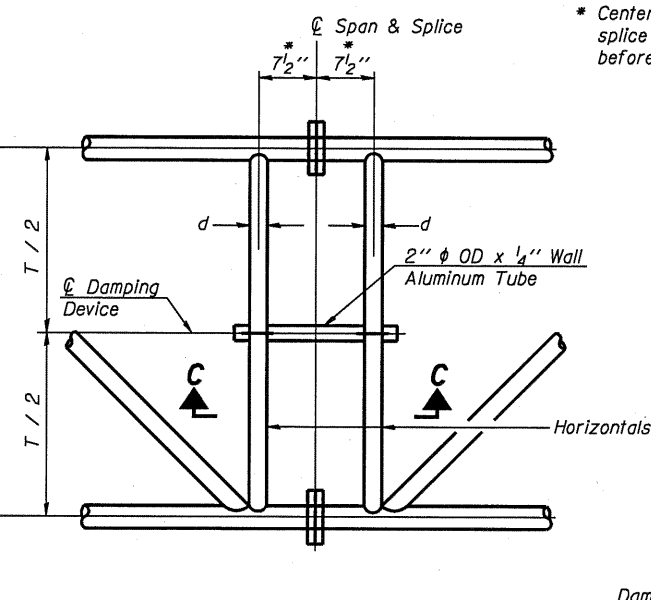


PLAN DETAIL "A"
 ☉ Span between Panel Points

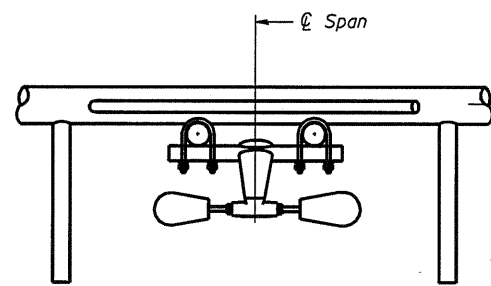


PLAN DETAIL "B"
 ☉ Span at Panel Point

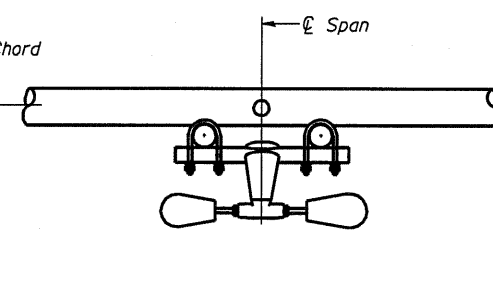


PLAN DETAIL "C"
 ☉ Span at ☉ Chord Splice

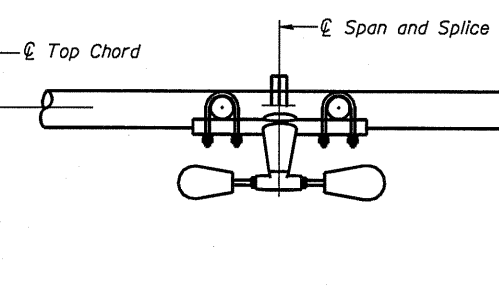
* Center of horizontal to center of splice dimension may vary. Verify before drilling holes in mounting tube.



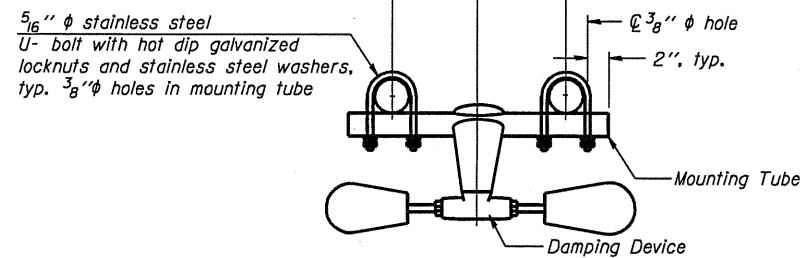
SECTION A-A



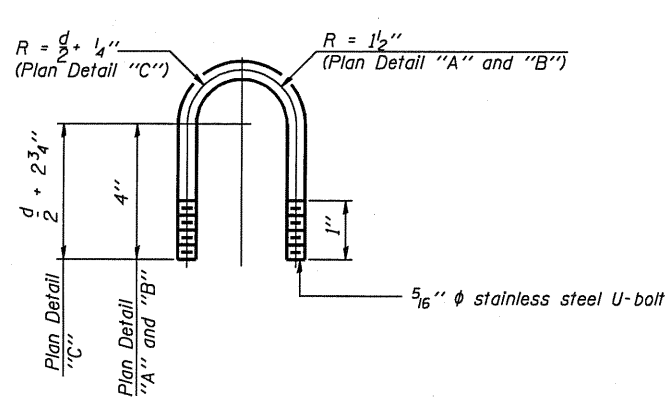
SECTION B-B



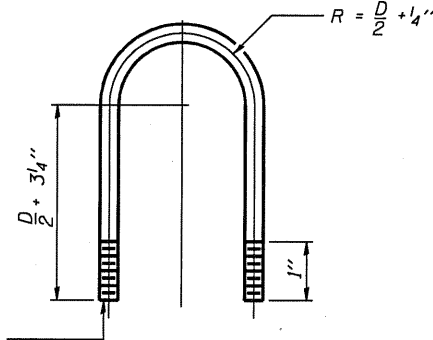
SECTION C-C



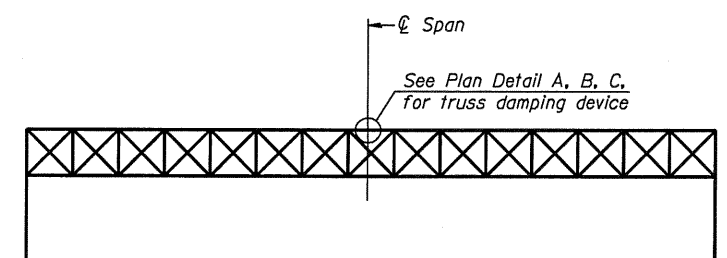
TRUSS DAMPING DEVICE CONNECTION DETAIL
 (Typical)



DAMPING DEVICE MOUNTING TUBE U-BOLT DETAIL
 (Typical)



TOP CHORD TO CROSS TUBE U-BOLT DETAIL
 (Typical - Detail "A" and "B")



ELEVATION
 Aluminum Overhead Sign Truss

NOTES

Damper: One damper per truss. (31 lbs. minimum Stockbridge-Type Aluminum - 29" minimum between ends of weights) Cost included in Overhead Sign Structure...

Materials: Materials: Aluminum tubes shall be ASTM B221 alloy 6061 temper T6. Cost included in Overhead Sign Structure...

OS-A-D

7-1-10

FILE NAME *	USER NAME * woodshankr1	DESIGNED - RON WOODSHANK	REVISED - -----	STATE OF ILLINOIS DEPARTMENT OF TRANSPORTATION	OVERHEAD SIGN STRUCTURE DAMPING DEVICE	F.A.I. R.T.E. VAR	SECTION	COUNTY	TOTAL SHEETS	SHEET NO.
at:\pwork\pilot\woodshankr1\d0235124\6131-Details.dgn	DRAWN - RON WOODSHANK	REVISED - -----	D-3 OVD SIN STR REPL 2011-08			VAR	25	11		
PLOT SCALE = 100.0000 ' / IN.	CHECKED - -----	REVISED - -----								
PLOT DATE = Sep 23, 2010 - 8:35:20 AM	DATE - -----	REVISED - -----								
SCALE: ----- SHEET NO. 4 OF 7 SHEETS STA. ----- TO STA. -----						CONTRACT NO. 46131				
						ILLINOIS				