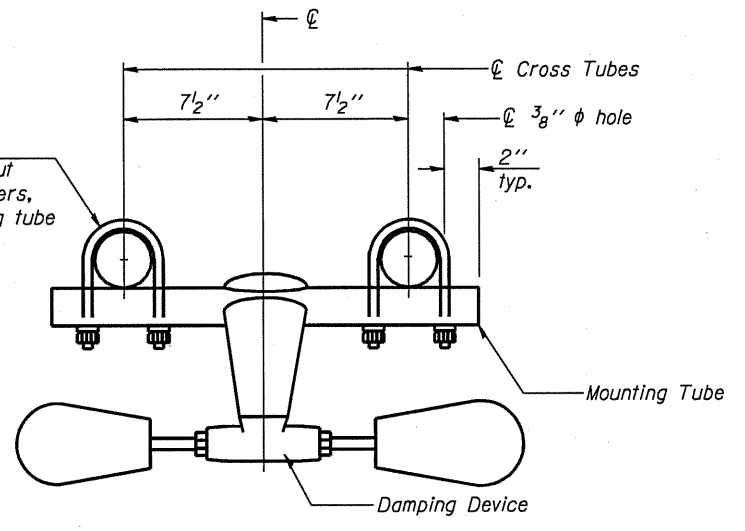
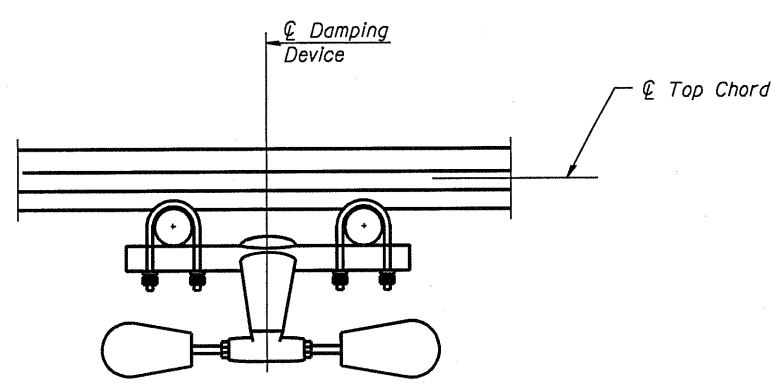
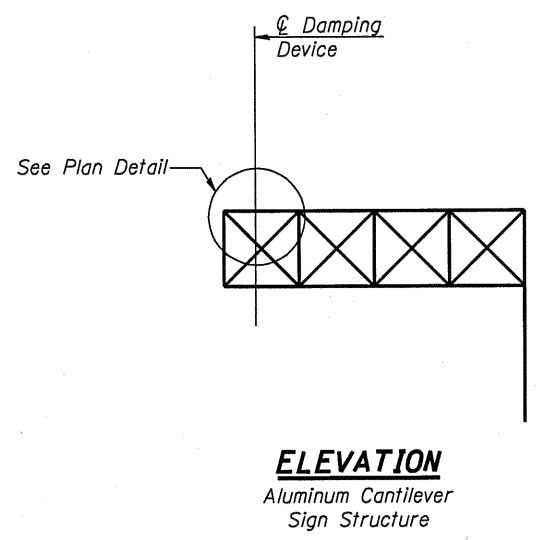


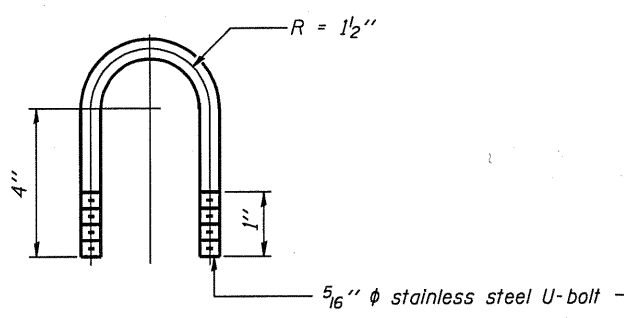
**PLAN DETAIL**



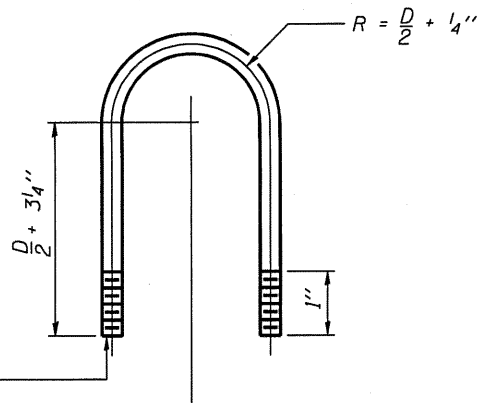
**TRUSS DAMPING DEVICE CONNECTION DETAIL**



**SECTION A-A**



**DAMPING DEVICE MOUNTING TUBE U-BOLT DETAIL**  
(Typical)



**TOP CHORD TO CROSS TUBE U-BOLT DETAIL**  
(Typical)

**GENERAL NOTES**

- Damper: One damper per truss. (31 lbs. Stockbridge-Type Aluminum-29" minimum between ends of weights)
- Materials: Aluminum tubes shall be ASTM B221 alloy 6061 temper T6

<b>OSC-A-D</b>		7-1-10		<b>STATE OF ILLINOIS DEPARTMENT OF TRANSPORTATION</b>		<b>CANTILEVER SIGN STRUCTURE DAMPING DEVICE</b>		F.A.I. RTE.	SECTION	COUNTY	TOTAL SHEETS	SHEET NO.
FILE NAME *	USER NAME *	DESIGNED -	REVISED -					VAR	D-3 OVD SIN STR REPL 2011-08	VAR	25	17
c:\pwwork\peidot\woodshankr1\d8235124\6131-Details.dgn	woodshankr1	RON WOODSHANK	---					CONTRACT NO. 46131				
PLOT SCALE = 100.0000' / IN.	CHECKED -	---	---					SCALE: _____	SHEET NO. 9 OF 9 SHEETS	STA. _____ TO STA. _____	ILLINOIS	
PLOT DATE = Sep 23, 2010 - 09:37:29 AM	DATE -	---	---									