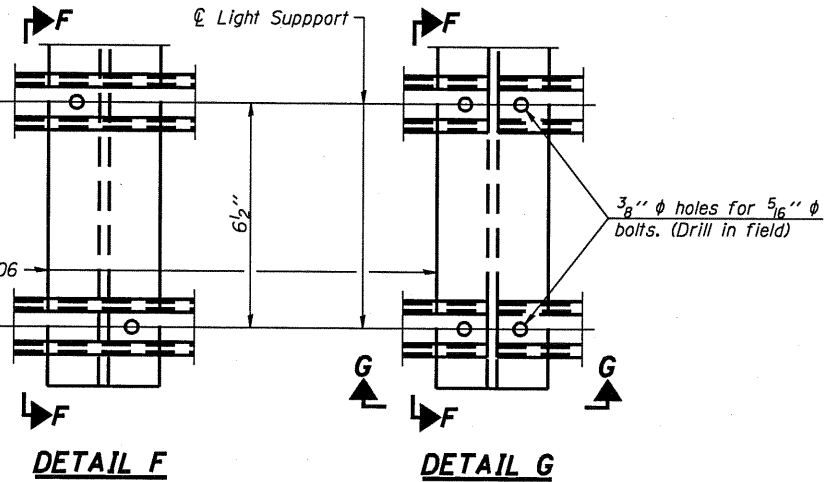


① Install standard force-fit end caps or weld 3/8" end plates with 1/8" c.f.w. and grind smooth. (All rail ends)

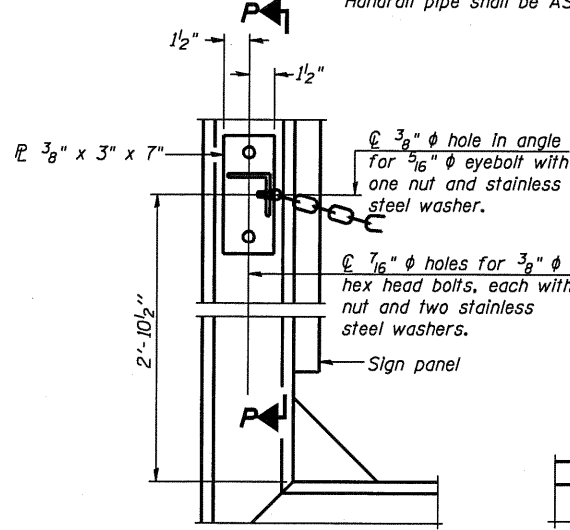
Fittings-ASTM B26, Alloy 356-T7 or 1 1/2" diameter aluminum pipe



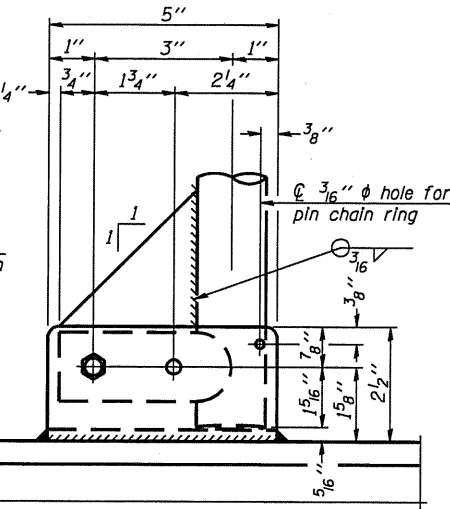
HANDRAIL DETAILS

Handrail pipe shall be ASTM B241 or B429, Alloy 6063-T6 or Alloy 6061-T6.

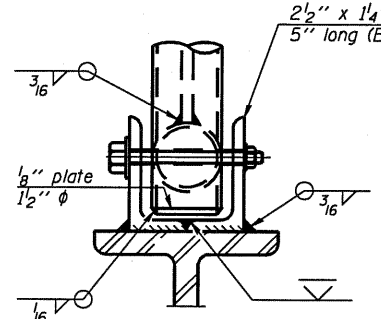
② Horizontal handrail member shall be continuous thru fitting. Provide 1/16" diameter hole in fitting for 3/8" diameter bolt. Field drill 1/16" diameter hole in horizontal rail member. Provide locknut and two stainless steel washers for bolt. (Use 5/16" eyebolts in 1/16" diameter holes on top rail at ends only.)



ALTERNATE SAFETY CHAIN ATTACHMENT
(With Sign Present)
Items not shown same as "Side Elevation" of "Handrail Details"



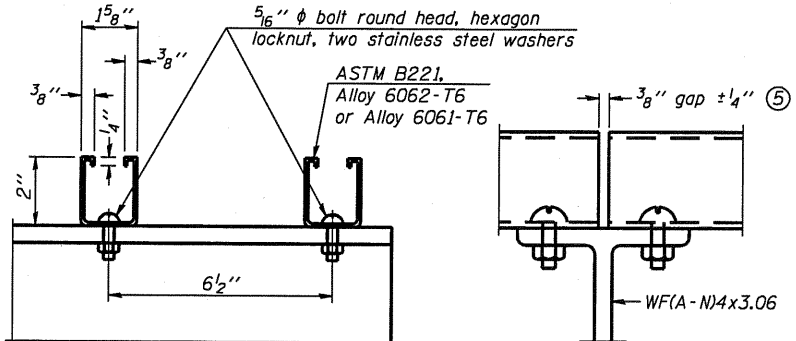
SIDE ELEVATION



FRONT ELEVATION

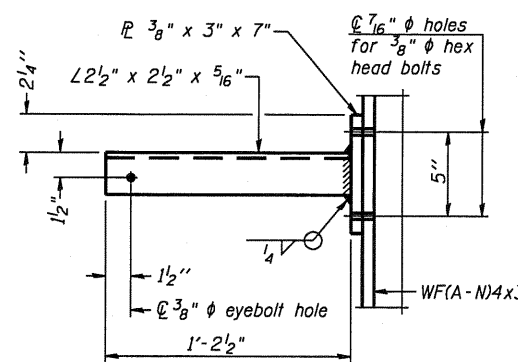
ELEVATION AT HANDRAIL JOINT ④

Details not shown same as "FRONT ELEVATION"

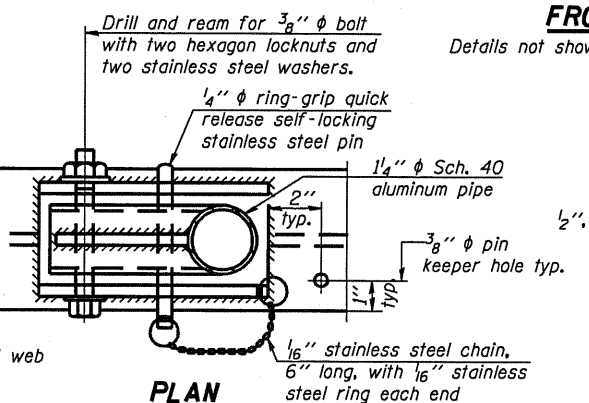


SECTION F-F and SECTION G-G LIGHTING FIXTURE MOUNTS (IF REQUIRED)

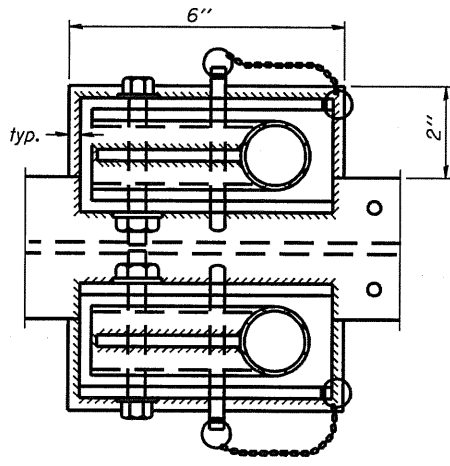
⑤ Field cut ends of light support channels shall be free of burrs or hazardous projections and coated with zinc-rich primer or equivalent.



SECTION P-P

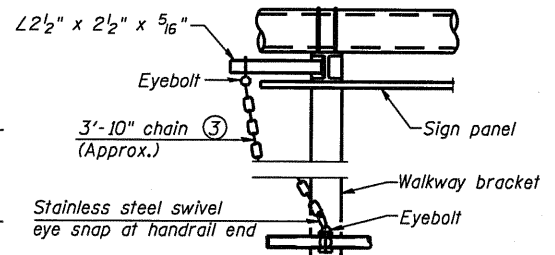


DETAIL E HANDRAIL HINGE



PLAN AT HANDRAIL JOINT

Details not shown same as "PLAN"

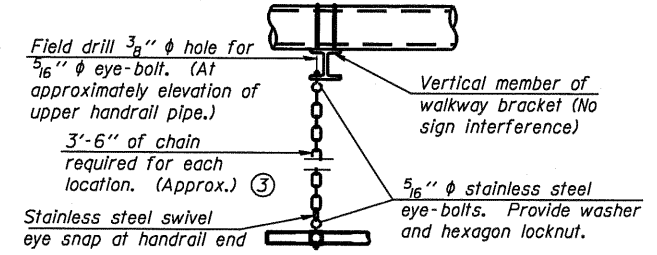


ALTERNATE SAFETY CHAIN ATTACHMENT

Details not shown similar to "Safety Chain" Details (Walkway omitted for clarity)

③ 3/16" Type 304L stainless steel chain, approximately 12 links per foot.

④ Extrusions may be used in lieu of the details shown, with approval of the Engineer.



SAFETY CHAIN

One required for each end of each walkway.

LOCATIONS 3 AND 4 THIS SHEET FOR INFORMATION ONLY

FILE NAME * c:\pwwork\p1dot\woodshankr1\0235124\6131-Detail1.dgn		USER NAME * woodshankr1	DESIGNED - RON WOODSHANK	REVISED -	STATE OF ILLINOIS DEPARTMENT OF TRANSPORTATION	CANTILEVER SIGN STRUCTURES - HANDRAIL DETAILS ALUMINUM TRUSS & STEEL POST		F.A.I. RTE. VAR	SECTION D-3 OVD SIN STR REPL 2011-08	COUNTY VAR	TOTAL SHEETS 25	SHEET NO. 22
PLOT SCALE = 1/8"=1'-0"		DRAWN - RON WOODSHANK	CHECKED -	REVISED -		SCALE: _____	SHEET NO. 7 OF 9 SHEETS	STA. _____ TO STA. _____	ILLINOIS		CONTRACT NO. 46131	
PLOT DATE = Sep 23, 2010 - 8:39:04 AM		DATE -	REVISED -	REVISED -								
OSC-A-8 7-1-10												