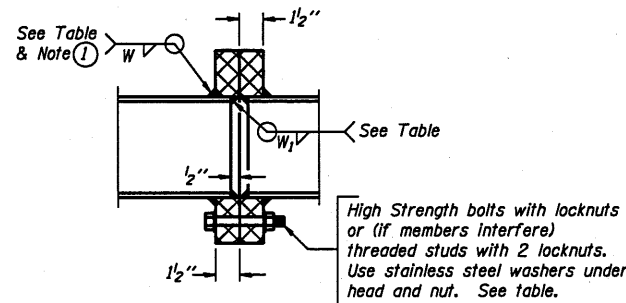


TRUSS UNIT TABLE

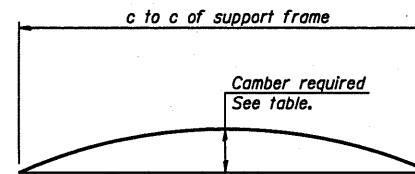
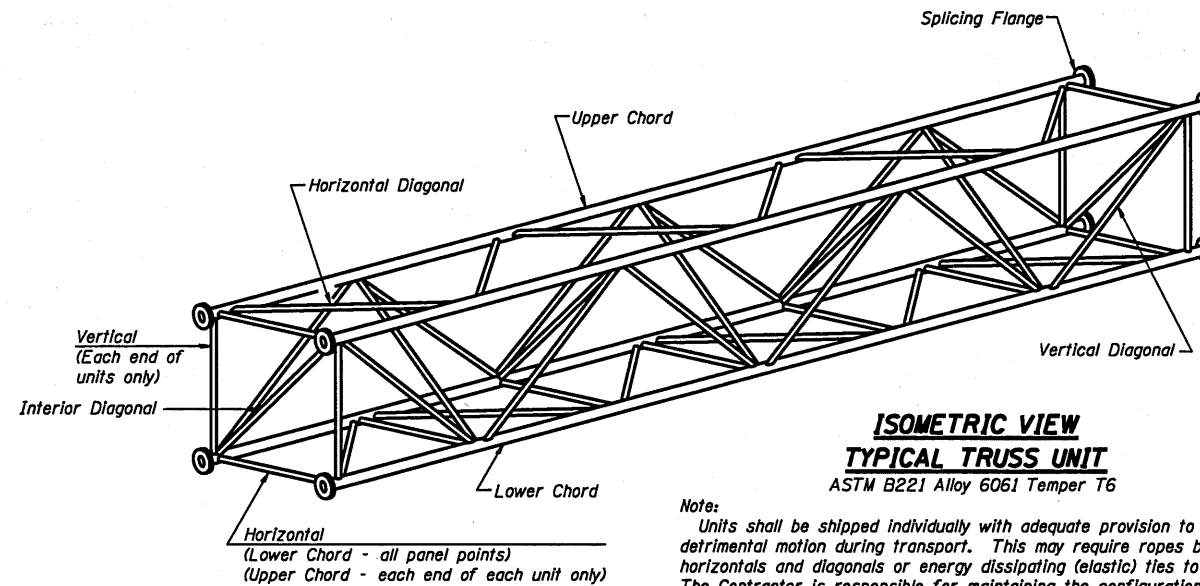
Structure Number	Station	Design Truss Type	Exterior Units (2)				Interior Unit				Upper & Lower Chord		Verticals; Horizontals; Vertical, Horizontal, and Interior Diagonals		Camber at Midspan	Splicing Flange					
			No. Panels per Unit	Unit Lgth.(L _u)	Panel Lgth.(P)	No. Req'd.	No. Panels per Unit	Unit Lgth.(L _i)	Panel Lgth.(P)	O.D.	Wall	O.D.	Wall	Bolts		Weld Sizes		A	B		
														No./Splice		Dia.	W			W ₁	
2S0371080R007.9	453+16	I-A	6	31' 1 1/2"	4' 10 1/2"	1	6	30' 6"	4' 10 1/2"	5 1/2"	5/16"	2 1/2"	5/16"	2 3/4"	6	7/8"	3/8"	1/4"	9 1/4"	12 1/4"	
2S0811088L017.3	323+16	I-A	7	33' 6 1/4"	4' 6 1/4"	1	6	28' 4 1/2"	4' 6 1/4"	5 1/2"	5/16"	2 1/2"	5/16"	3"	6	1"	3/8"	1/4"	9 1/4"	12 1/4"	
2S081S092R026.0	517+21	II-A	7	36' 5 1/4"	4' 11 1/4"	1	6	30' 10 1/2"	4' 11 1/4"	6 1/2"	5/16"	3"	5/16"	3 1/4"	6	1"	3/8"	1/4"	11"	14 1/2"	
2S0811088L016.6	285+84	III-A	6	30' 6"	4' 9 1/4"	2	6	29' 10 1/2"	4' 9 1/4"	7"	5/16"	3 1/4"	5/16"	3 1/4"	6	1"	7/16"	5/16"	11 1/2"	15"	
2S081S092L026.6	484+19	III-A	7	36' 5 1/4"	4' 11 1/4"	1	6	30' 10 1/2"	4' 11 1/4"	7"	5/16"	3 1/4"	5/16"	2 1/4"	6	1"	7/16"	5/16"	11 1/2"	15"	
2S0811074L001.3	296+21	I-A	6	29' 4 1/2"	4' 7"	1	6	28' 9"	4' 7"	5"	5/16"	2 1/2"	5/16"	2 1/2"	6	7/8"	5/16"	1/4"	8 3/4"	11 3/4"	



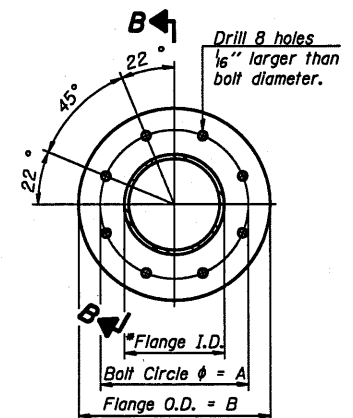
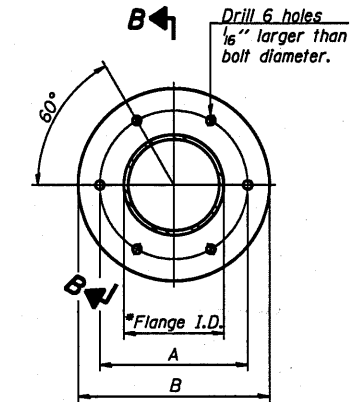
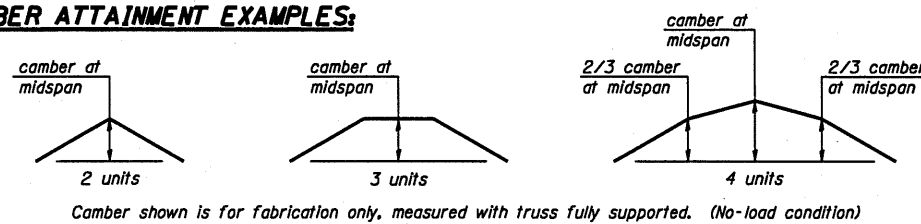
SECTION B-B

- ① Splicing Flanges shall be attached to each truss unit with the truss shop assembled to camber shown. Truss units shall be in proper alignment and flange surfaces shall be shop bolted into full contact before welding. Sufficient external welds or tacks shall be made to secure flanges until remaining welds are made after disassembly. Adjacent flanges shall be "match marked" to insure proper field assembly.

NUMBER	REVISION	DATE



CAMBER ATTAINMENT EXAMPLES:



SPLICING FLANGES

ASTM B221, Alloy 6061-T6
or ASTM B209, Alloy 6061-T651
*To fit O.D. of Chord with maximum gap of 1/16".

**OVERHEAD SIGN STRUCTURES
ALUMINUM TRUSS DETAILS
FOR TRUSS TYPES I-A, II-A AND III-A**

054-A-2

12-1-08

FILE NAME =	USER NAME = jmkd	DESIGNED -	REVISED -	STATE OF ILLINOIS DEPARTMENT OF TRANSPORTATION	DISTRICT 2 SIGN STRUCTURE REPLACEMENT	F.A. RTE. =	SECTION =	COUNTY =	TOTAL SHEETS =	SHEET NO. =	
D:\BR\SIGN TRUSS\CADD Plans\2011 contr\2011 plans\dgn		DRAWN -	REVISED -			SCALE: _____	SHEET NO. _____ OF _____ SHEETS	VARIOUS	27	6	
PLOT SCALE = 1/8" = 1' / IN.		CHECKED -	REVISED -			STA. _____ TO STA. _____	ILLINOIS FED. AID PROJECT				
PLOT DATE = Tue Aug 03 06:38:20 2010		DATE -	REVISED -			CONTRACT NO. 46132					