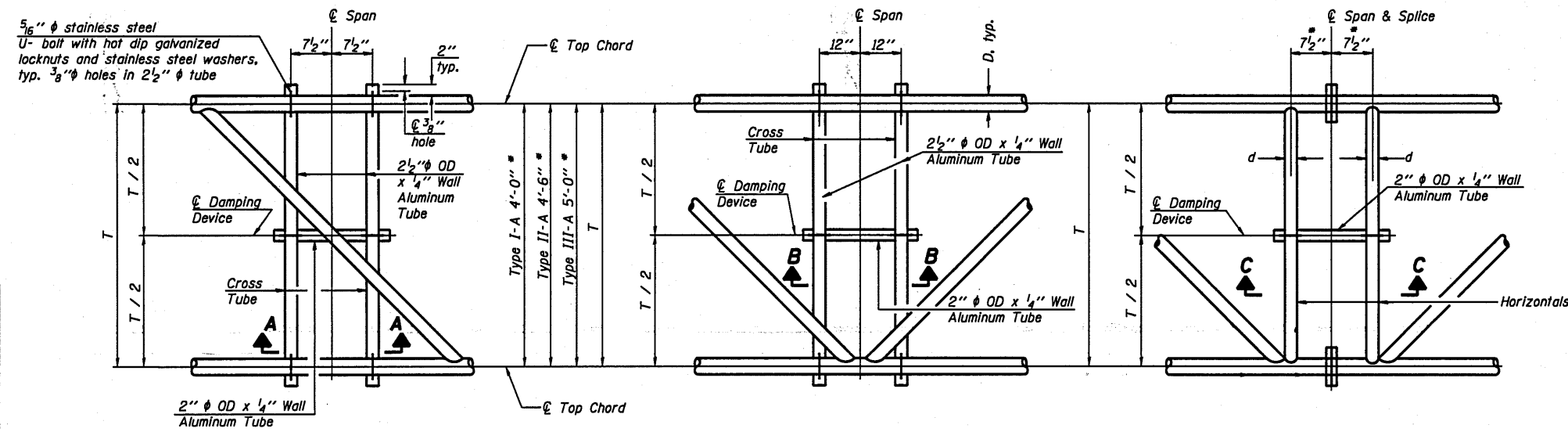


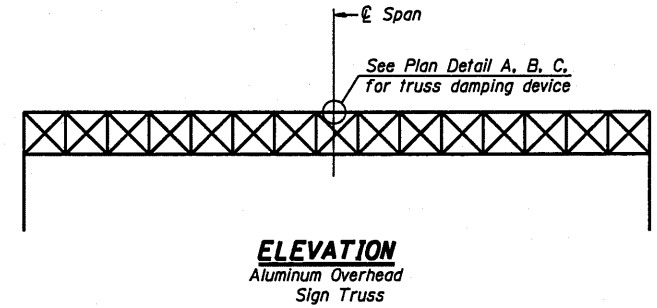
Center of horizontal to center of splice dimension may vary. Verify before drilling holes in mounting tube.



PLAN DETAIL "A"
Span between Panel Points

PLAN DETAIL "B"
Span at Panel Point

PLAN DETAIL "C"
Span at Chord Splice

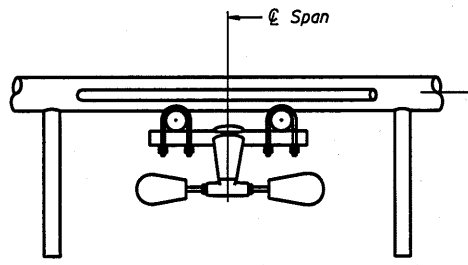


ELEVATION
Aluminum Overhead Sign Truss

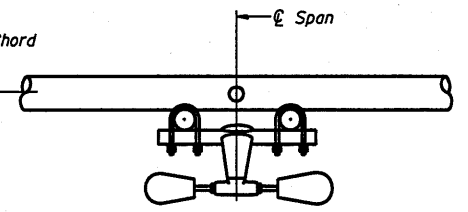
NOTES

Damper: One damper per truss. (31 lbs. minimum Stockbridge-Type Aluminum - 29" minimum between ends of weights) Cost included in Overhead Sign Structure...

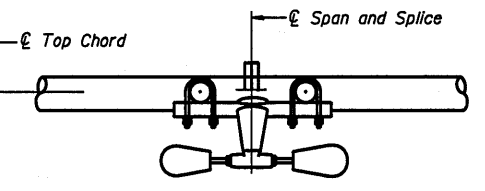
Materials: Materials: Aluminum tubes shall be ASTM B221 alloy 6061 temper T6. Cost included in Overhead Sign Structure...



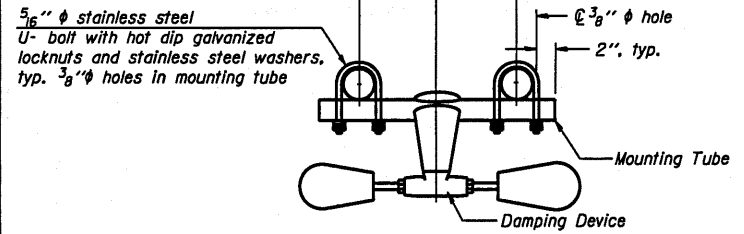
SECTION A-A



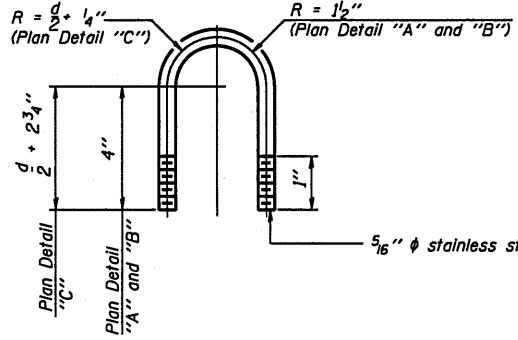
SECTION B-B



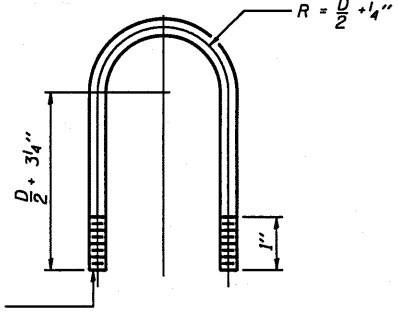
SECTION C-C



TRUSS DAMPING DEVICE CONNECTION DETAIL
(Typical)



DAMPING DEVICE MOUNTING TUBE U-BOLT DETAIL
(Typical)



TOP CHORD TO CROSS TUBE U-BOLT DETAIL
(Typical - Detail "A" and "B")

OVERHEAD SIGN STRUCTURE DAMPING DEVICE

OS-A-D		12-1-08		STATE OF ILLINOIS DEPARTMENT OF TRANSPORTATION		DISTRICT 2 SIGN STRUCTURE REPLACEMENT		<table border="1"> <tr> <td>F.A. RTE.</td> <td>SECTION</td> <td>COUNTY</td> <td>TOTAL SHEETS</td> <td>SHEET NO.</td> </tr> <tr> <td>.</td> <td>..</td> <td>VARIOUS</td> <td>27</td> <td>7</td> </tr> <tr> <td colspan="3"></td> <td colspan="2" style="text-align: center;">CONTRACT NO. 46132</td> </tr> <tr> <td colspan="5" style="text-align: center;">ILLINOIS FED. AID PROJECT</td> </tr> </table>		F.A. RTE.	SECTION	COUNTY	TOTAL SHEETS	SHEET NO.	.	..	VARIOUS	27	7				CONTRACT NO. 46132		ILLINOIS FED. AID PROJECT				
F.A. RTE.	SECTION	COUNTY	TOTAL SHEETS							SHEET NO.																			
.	..	VARIOUS	27							7																			
			CONTRACT NO. 46132																										
ILLINOIS FED. AID PROJECT																													
FILE NAME =	USER NAME = lmkd	DESIGNED -	REVISD -	SCALE:	SHEET NO. .. OF .. SHEETS	STA. TO STA.																							
DESCRIPTION TRUSS\CADD Plans\2011 contr	12011 plans.dgn	DRAWN -	REVISD -																										
PLOT SCALE = 1/8" = 1'-0"		CHECKED -	REVISD -																										
PLOT DATE = Tue Aug 03 06:39:38 2010		DATE -	REVISD -																										