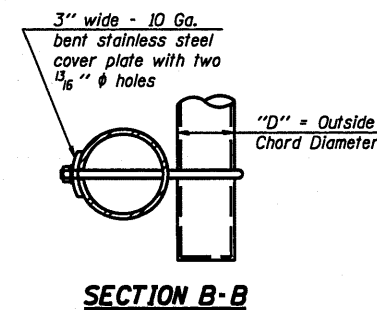
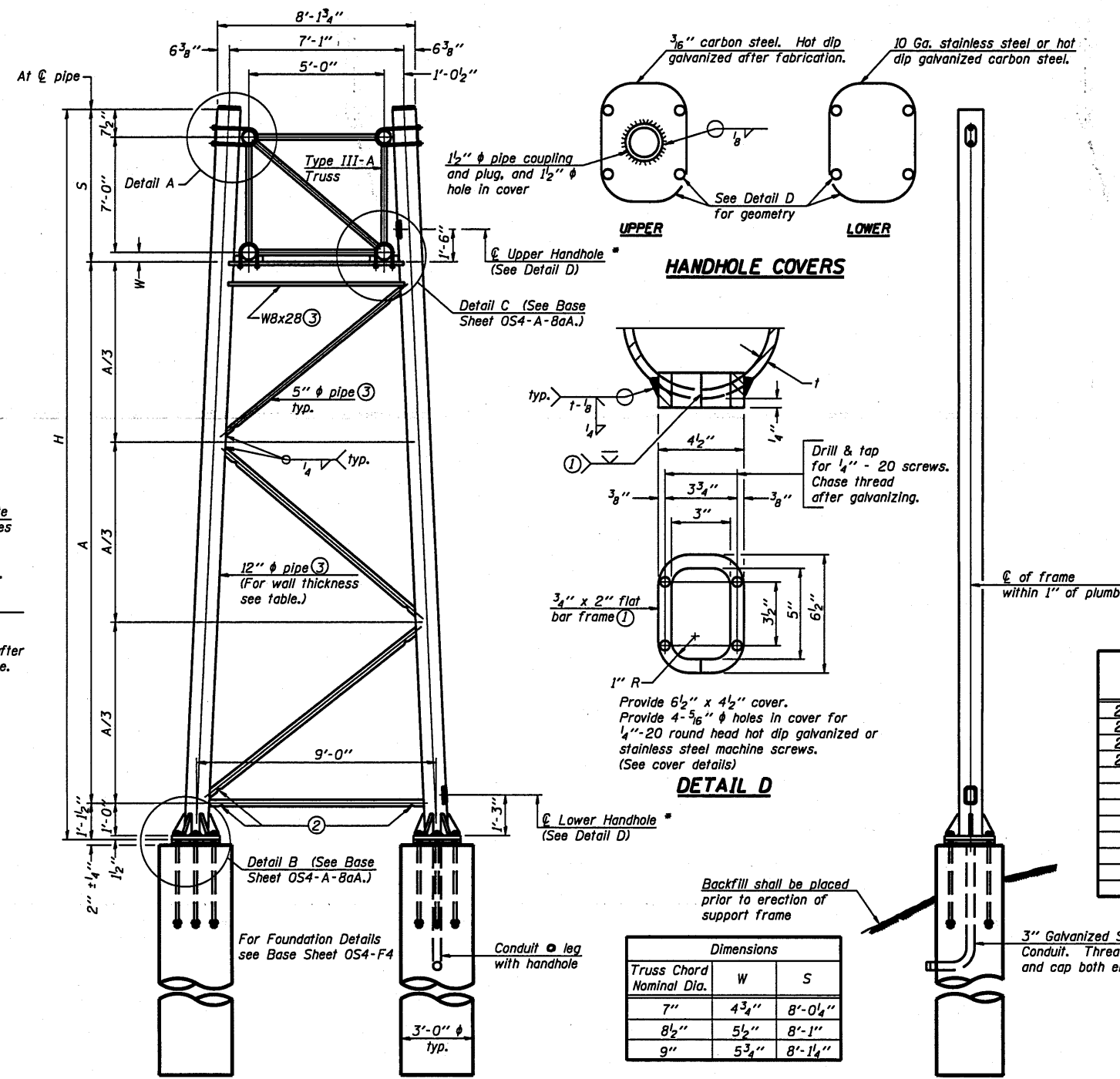


SECTION A-A
As an alternate to bolts, may use galvanized drive-fit caps installed after galvanizing frame.



OS4-A-8a 12-1-08



TRUSS SUPPORT DETAILS
12" ϕ Pipe-Type III-A Truss

Dimensions		
Truss Chord Nominal Dia.	W	S
7"	4 3/4"	8'-0 1/4"
8 1/2"	5 1/2"	8'-1"
9"	5 3/4"	8'-1 1/4"

Support Design Loads: See Base Sheet OS-A-1 for design and loading criteria. Load combinations checked include deadload plus:
a) 100% wind normal to sign, 20% parallel to sign
b) 60% wind normal to sign, 30% parallel to sign

- ① In lieu of fabricated handhole frame as shown, may cut from 2" plate (rolling direction vertical). All cut faces to be ground to ANSI Roughness of 500 min or less.
 - ② Galvanizing vent holes of adequate size shall be provided on underside at each end of bracing pipes. Alternately, holes may be provided in wall of pipe column. All vent holes shall be drilled and de-burred, typ.
 - ③ Steel pipe, plate, carbon steel handhole covers and rolled sections shall be hot dip galvanized after fabrication. Painting is not permitted. See Base Sheet OS-A-1.
 - ④ See General Notes for fasteners.
 - ⑤ Dimensions shown are based on selection criteria in the Sign Structures Manual. Nonstandard applications must have dimensions verified or amended as appropriate.
 - ⑥ "H" based on 15'-0" or actual sign height, whichever is greater.
- * For dynamic message sign installations, provide upper and lower handholes in both legs of each support frame.

Structure Number	Station	Support		Pipe Wall Thickness	H (6)	A
		Left	Right			
2S081088L016.6	285+84	X		0.33	31' 2"	22' 0 1/4"
2S081088L016.6	285+84		X	0.33	32' 8"	23' 6 1/4"
2S0815092L026.6	484+19	X		0.33	28' 8"	19' 6 1/4"
2S0815092L026.6	484+19		X	0.33	33' 8"	24' 6 1/4"

NUMBER	REVISION	DATE

OVERHEAD SIGN STRUCTURES SUPPORT FRAME FOR TYPE III-A ALUMINUM TRUSS

FILE NAME	USER NAME	DESIGNED	REVISED	DISTRICT 2 SIGN	F.A. RTE.	SECTION	COUNTY	TOTAL SHEETS	SHEET NO.
OS4-A-8a	linkd			STRUCTURE REPLACEMENT				27	10
STATE OF ILLINOIS DEPARTMENT OF TRANSPORTATION					CONTRACT NO.		46132		
SCALE: SHEET NO. OF SHEETS STA. TO STA.					ILLINOIS FED. AID PROJECT				

FILE NAME	USER NAME	DESIGNED	REVISED
OS4-A-8a	linkd		

DESIGNED	REVISED	CHECKED	REVISED

DATE	REVISION

SCALE	SHEET NO.	OF	SHEETS	STA.	TO	STA.

F.A. RTE.	SECTION	COUNTY	TOTAL SHEETS	SHEET NO.
			27	10