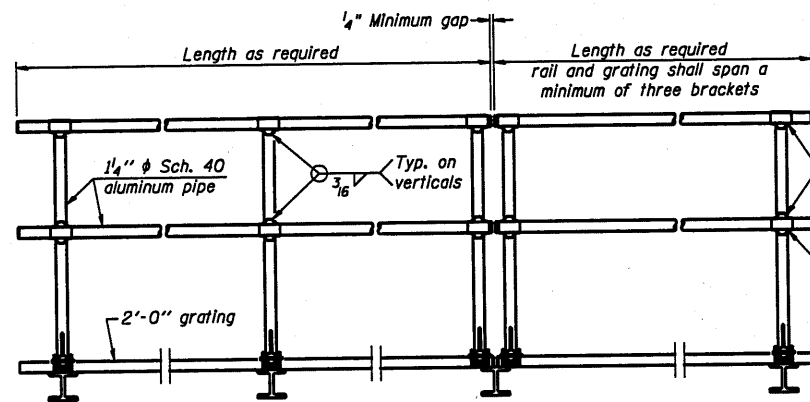


**SIDE ELEVATION**  
(Showing safety chain w/o sign)

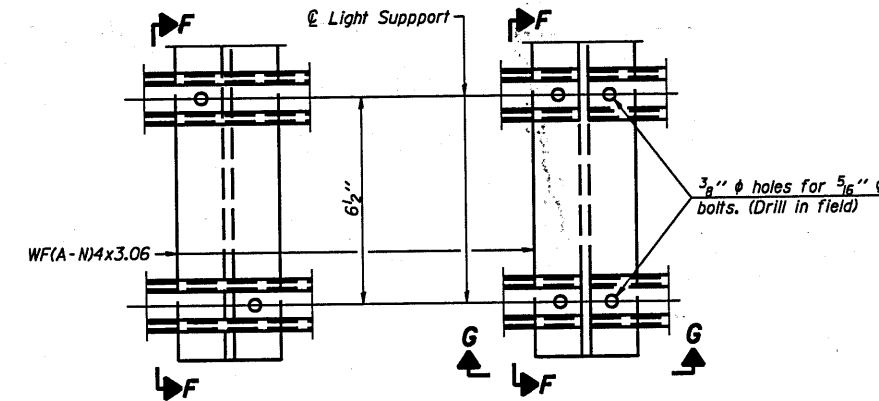


**FRONT ELEVATION**

**HANDRAIL DETAILS**

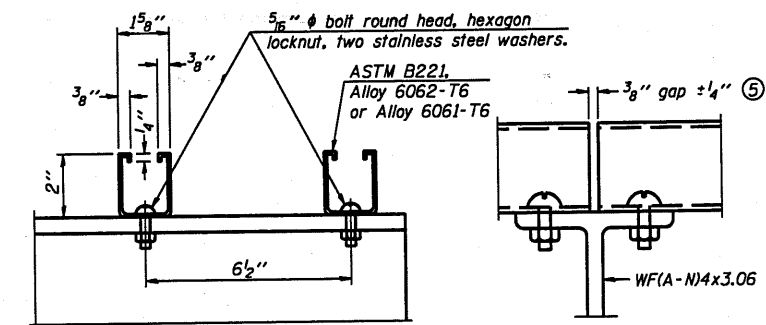
Handrail pipe shall be ASTM B241 or B429, Alloy 6063-T6 or Alloy 6061-T6.

- ① Install standard force-fit end caps or weld 1/2" end plates with 1/8" c.f.w. and grind smooth. (All rail ends)
- ② Horizontal handrail member shall be continuous thru fitting. Provide 1/16" hole in fitting for 3/8" bolt. Field drill 1/16" hole in horizontal rail member. Provide locknut and two stainless steel washers for bolt. (Use 5/16" eyebolts in 1/16" holes on top rail at ends only.)



**DETAIL F**

**DETAIL G**

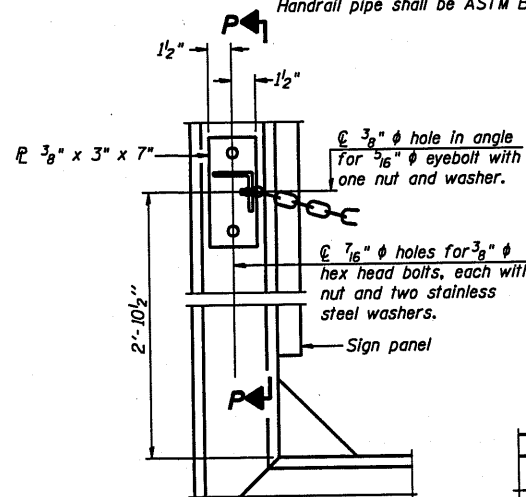


**SECTION F-F**

**SECTION G-G**

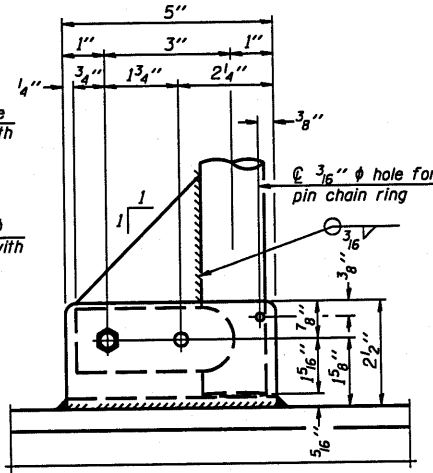
**LIGHTING FIXTURE MOUNTS (IF REQUIRED)**

- ⑤ Field cut ends of light support channels shall be free of burrs or hazardous projections and coated with zinc-rich primer or equivalent.

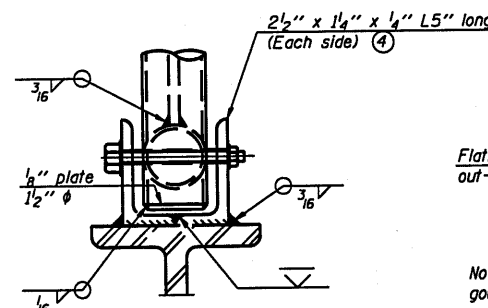


**ALTERNATE SAFETY CHAIN ATTACHMENT**

(With Sign Present)  
Items not shown same as "Side Elevation" of "Handrail Details"

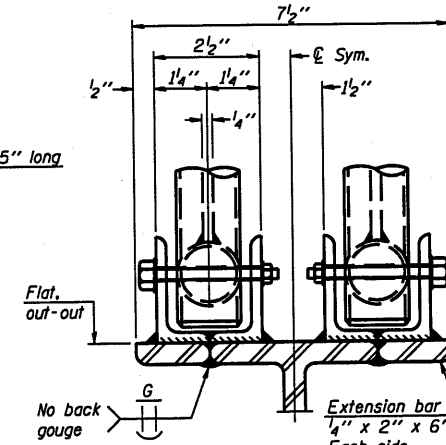


**SIDE ELEVATION**

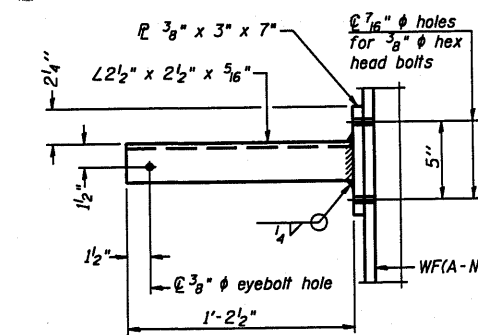


**FRONT ELEVATION**

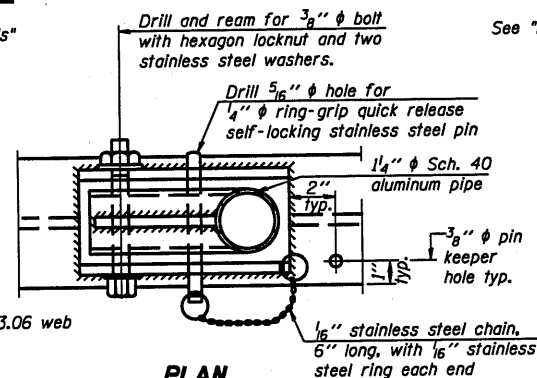
See "Elevation" at right for dimensions.



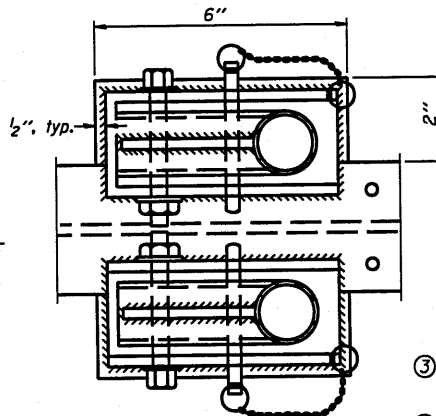
**ELEVATION AT HANDRAIL JOINT**



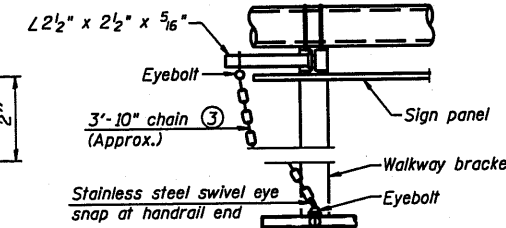
**SECTION P-P**



**PLAN**  
**DETAIL E HANDRAIL HINGE**



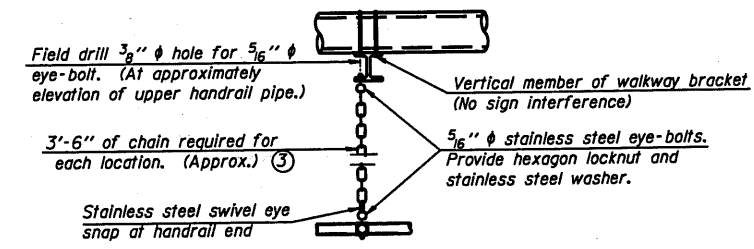
**PLAN AT HANDRAIL JOINT**  
Details not shown same as "PLAN"



**ALTERNATE SAFETY CHAIN ATTACHMENT**

Details not shown similar to "Safety Chain" Details (Walkway omitted for clarity)

- ③ 3/16" Type 304L stainless steel chain, approximately 12 links per foot.
- ④ Extrusions may be used in lieu of the details shown, with approval of the Engineer.



**SAFETY CHAIN**

One required for each end of each walkway.

**OVERHEAD SIGN STRUCTURES**  
**ALUMINUM HANDRAIL DETAILS**

NUMBER	REVISION	DATE

05-A-11

12-1-08

FILE NAME =	USER NAME = lmkd	DESIGNED -	REVISED -
G:\BYSIGN TRUSS\CADD Plans\2811 contr		DRAWN -	REVISED -
		CHECKED -	REVISED -
		DATE -	REVISED -

DESIGNED -	REVISED -
DRAWN -	REVISED -
CHECKED -	REVISED -
DATE -	REVISED -

STATE OF ILLINOIS  
DEPARTMENT OF TRANSPORTATION

DISTRICT 2 SIGN  
STRUCTURE REPLACEMENT

SCALE: SHEET NO. OF SHEETS STA. TO STA.

F.A. RTE.	SECTION	COUNTY	TOTAL SHEETS	SHEET NO.
.	..	VARIOUS	27	14
ILLINOIS FED. AID PROJECT			CONTRACT NO. 46132	