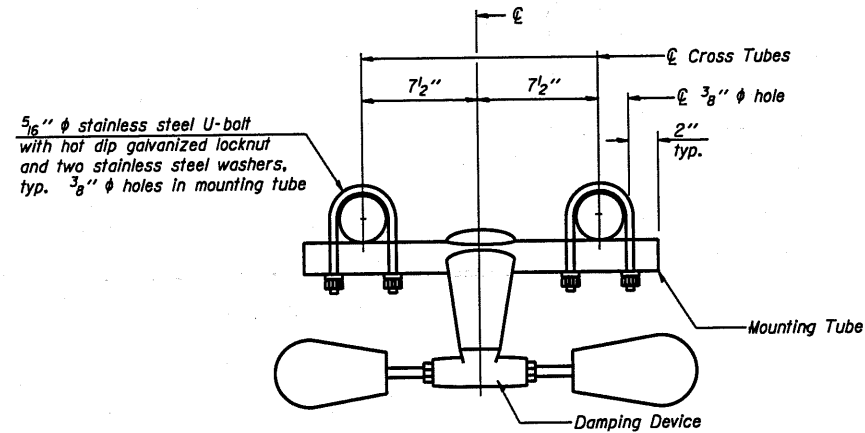
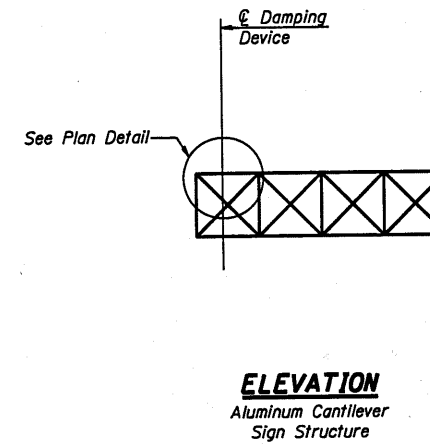


PLAN DETAIL



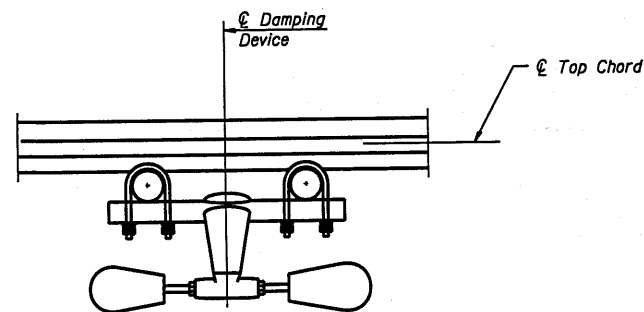
TRUSS DAMPING DEVICE CONNECTION DETAIL



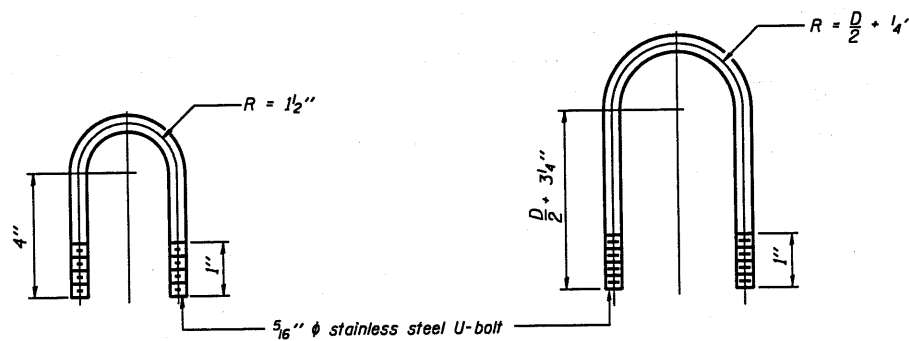
ELEVATION
Aluminum Cantilever Sign Structure

GENERAL NOTES

- Damper: One damper per truss. (31 lbs. Stockbridge-Type Aluminum-29" minimum between ends of weights)
- Materials: Aluminum tubes shall be ASTM B221 alloy 6061 temper T6



SECTION A-A



DAMPING DEVICE MOUNTING TUBE U-BOLT DETAIL
(Typical)

TOP CHORD TO CROSS TUBE U-BOLT DETAIL
(Typical)

CANTILEVER SIGN STRUCTURE DAMPING DEVICE

OSC-A-D

12-1-08

FILE NAME =	USER NAME = jinkd	DESIGNED -	REVISED -
D:\BR\SIGN TRUSS\CADD Plans\2011 contract\2011 plans.dgn		DRAWN -	REVISED -
PLOT SCALE = 1/8" = 1'-0"		CHECKED -	REVISED -
PLOT DATE = Tue Aug 03 06:43:50 2010		DATE -	REVISED -

STATE OF ILLINOIS
DEPARTMENT OF TRANSPORTATION

DISTRICT 2 SIGN
STRUCTURE REPLACEMENT

SCALE: SHEET NO. OF SHEETS STA. TO STA.

F.A. RTE.	SECTION	COUNTY	TOTAL SHEETS	SHEET NO.
.	**	VARIOUS	27	19
			CONTRACT NO. 46132	
ILLINOIS FED. AID PROJECT				