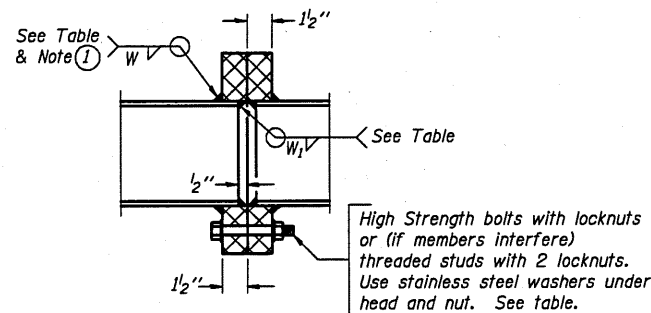


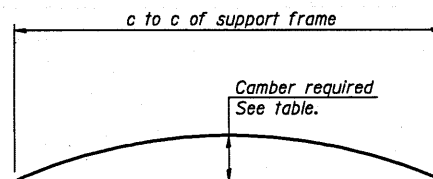
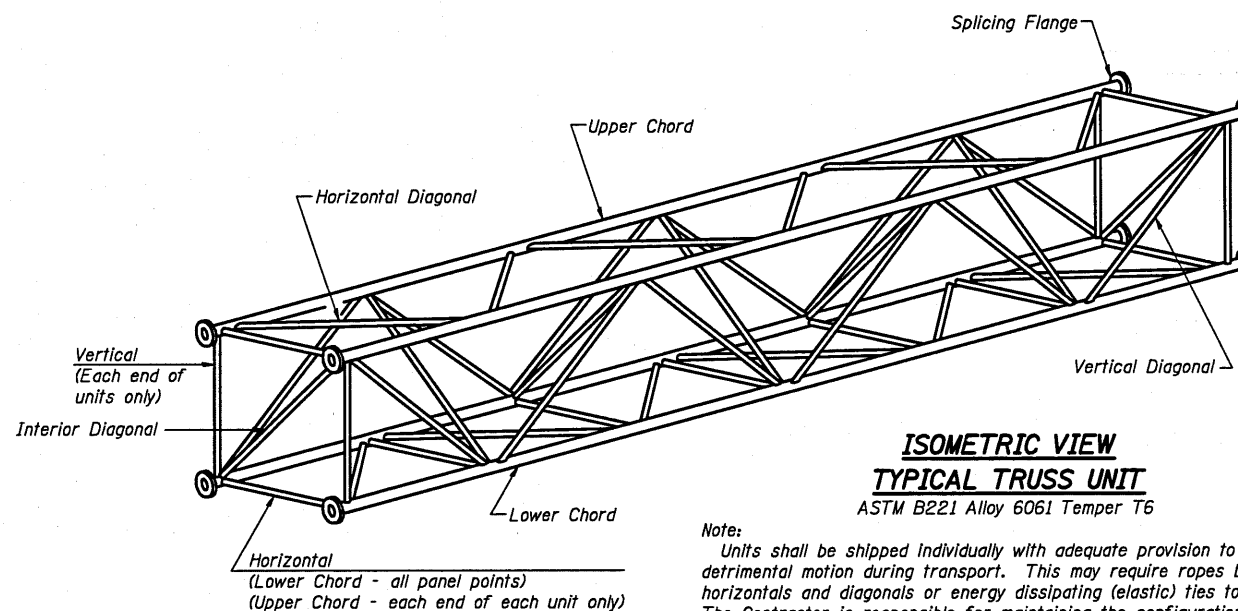
**TRUSS UNIT TABLE**

Structure Number	Station	Design Truss Type	Exterior Units (2)			Interior Unit			Upper & Lower Chord		Verticals, Horizontals, Vertical, Horizontal, and Interior Diagonals		Camber at Midspan	Splicing Flange						
			No. Panels per Unit	Unit Lgth.(L <sub>e</sub> )	Panel Lgth.(P)	No. Req'd.	No. Panels per Unit	Unit Lgth.(L <sub>i</sub> )	Panel Lgth.(P)	O.D.	Wall	O.D.		Wall	Bolts		Weld Sizes		A	B
															No./Splice	Dia.	W	W <sub>1</sub>		
5 S 010 I057 R249.73	RAMP BD 15+00	I-A	7	32'-9 1/2"	4'-5"	0			5"	5/16"	2 1/2"	5/16"	1 1/2"	6	7/8"	5/16"	1/4"	8 3/4"	11 3/4"	
5 S 010 I057 L250.43	RAMP AC 135+00	I-A	7	32'-9 1/2"	4'-5"	0			5"	5/16"	2 1/2"	5/16"	1 1/2"	6	7/8"	5/16"	1/4"	8 3/4"	11 3/4"	
5 S 010 I057 L237.52	613+17	II-A	5	28'-11 1/2"	5'-5"	1	6	33'-9"	5'-5"	6"	5/16"	3"	5/16"	2 1/2"	6	7/8"	3/8"	1/4"	10 1/4"	13 3/4"

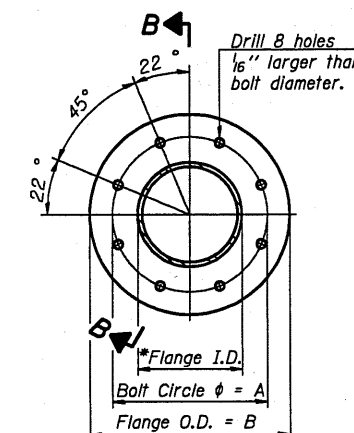
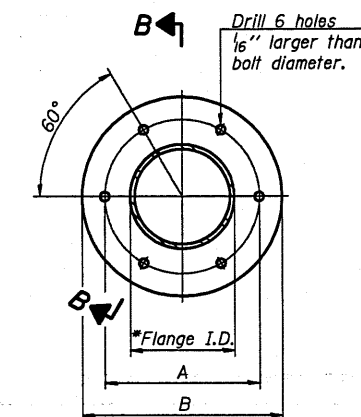
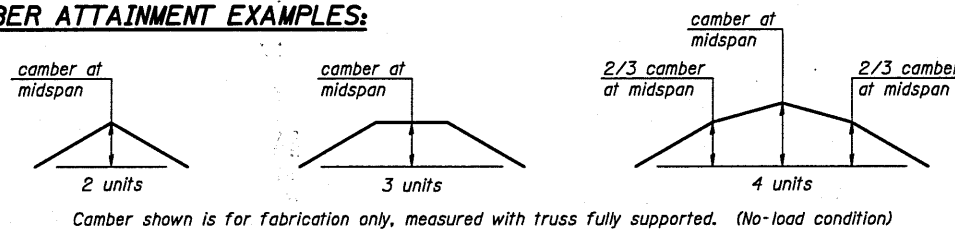


**SECTION B-B**

① Splicing Flanges shall be attached to each truss unit with the truss shop assembled to camber shown. Truss units shall be in proper alignment and flange surfaces shall be shop bolted into full contact before welding. Sufficient external welds or tacks shall be made to secure flanges until remaining welds are made after disassembly. Adjacent flanges shall be "match marked" to insure proper field assembly.



**CAMBER ATTAINMENT EXAMPLES:**



**SPLICING FLANGES**  
ASTM B221, Alloy 6061-T6  
or ASTM B209, Alloy 6061-T651  
\*To fit O.D. of Chord with maximum gap of 1/16".

NUMBER	REVISION	DATE

OS4-A-2

12-1-08

FILE NAME =	USER NAME = bucklesJJ	DESIGNED -	REVISED -	<b>STATE OF ILLINOIS DEPARTMENT OF TRANSPORTATION</b>	<b>OVERHEAD SIGN STRUCTURES ALUMINUM TRUSS DETAILS FOR TRUSS TYPES I-A, II-A, &amp; III-A</b>	F.A.I. RTE.	SECTION	COUNTY	TOTAL SHEETS	SHEET NO.	
cr\pwork\pwork\pwork\bucklesJJ\d0212597.D05-6135-sht-Details.dgn	PLDT SCALE = 48.8888" / IN.	DRAWN -	REVISED -			57&74	*	Champaign	37	11	
PLDT DATE = 7/28/2010	DATE	CHECKED -	REVISED -			* D-5 OVD SIN STR REPL 2011-12 CONTRACT NO. 46135					
		DATE	REVISED -			ILLINOIS FED. AID PROJECT					