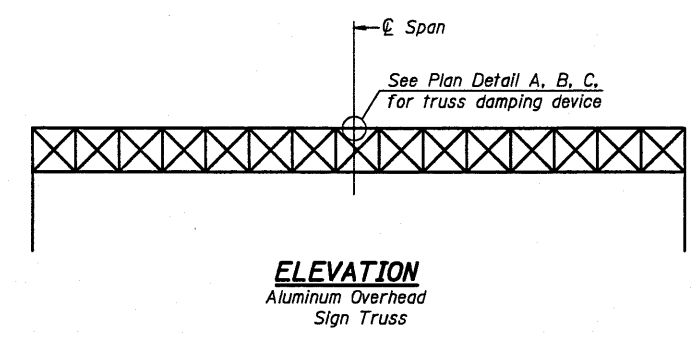
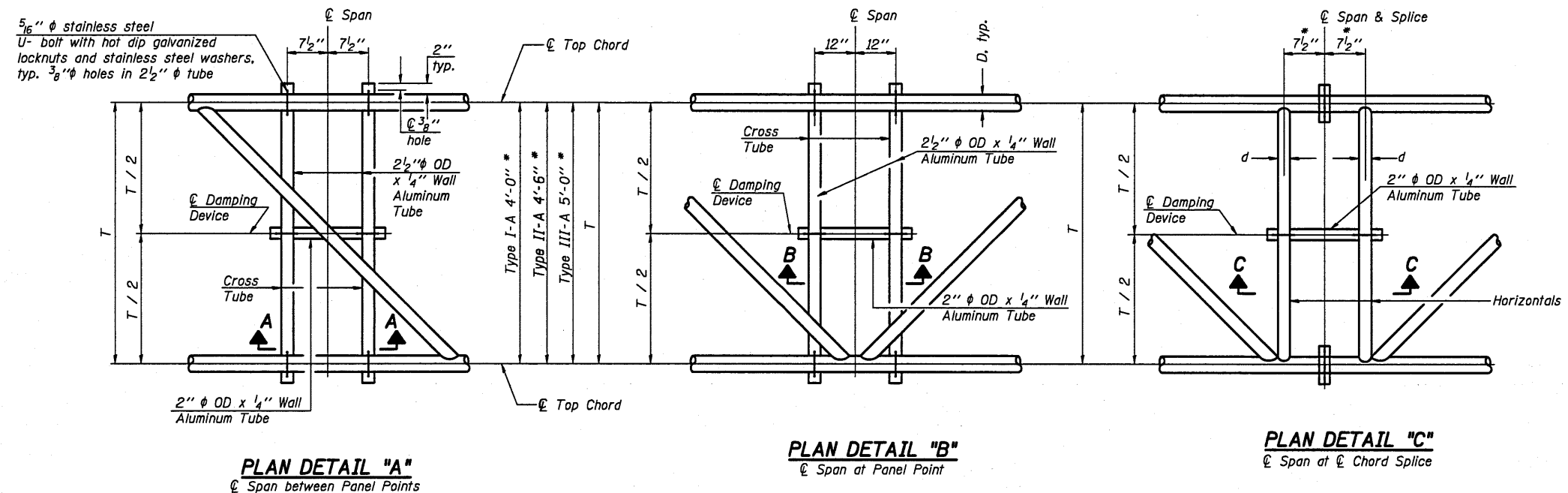


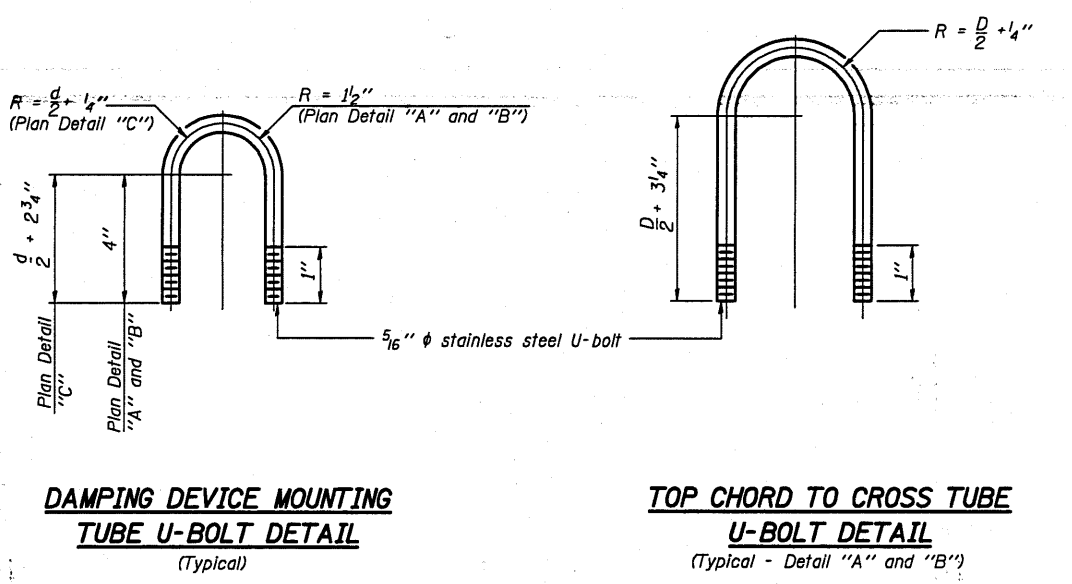
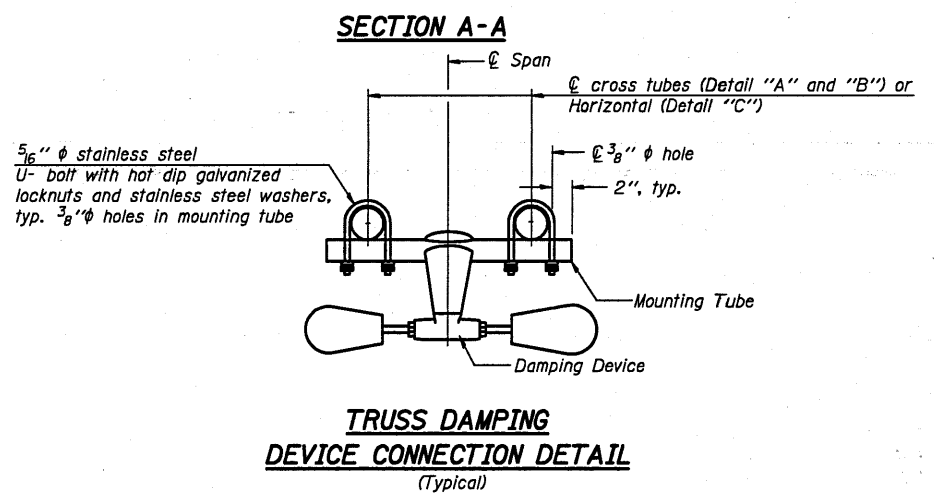
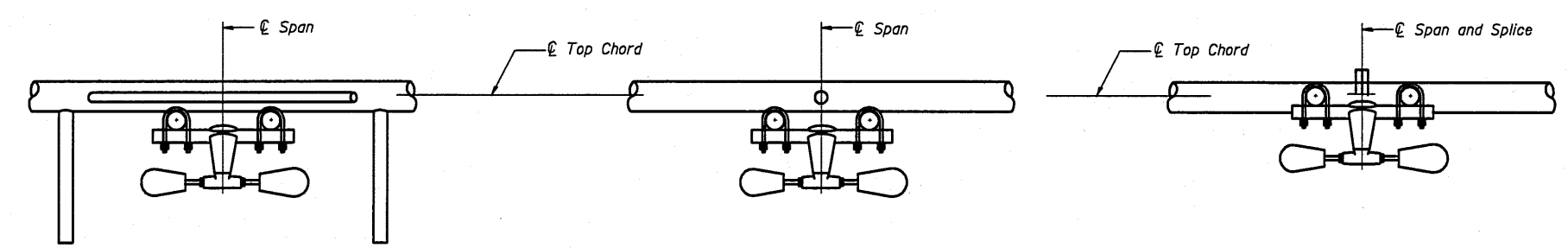
* Center of horizontal to center of splice dimension may vary. Verify before drilling holes in mounting tube.



NOTES

Damper: One damper per truss. (31 lbs. minimum Stockbridge-Type Aluminum - 29" minimum between ends of weights) Cost included in Overhead Sign Structure...

Materials: Materials: Aluminum tubes shall be ASTM B221 alloy 6061 temper T6. Cost included in Overhead Sign Structure...



OS-A-D				12-1-08				STATE OF ILLINOIS DEPARTMENT OF TRANSPORTATION				OVERHEAD SIGN STRUCTURE DAMPING DEVICE				F.A.I. RTE. 57&74		SECTION		COUNTY Champaign		TOTAL SHEETS 37		SHEET NO. 12	
FILE NAME =				USER NAME = bucklesj				DESIGNED -				REVISED -				SCALE:		SHEET NO. OF SHEETS STA.		TO STA.		CONTRACT NO. 46135			
c:\pwwork\pudot\buclj\0212597\0546135-ah-Details.dgn				DRAWN -				REVISED -																	
PLOT SCALE = 48.0000' / IN.				CHECKED -				REVISED -																	
PLOT DATE = 7/28/2010				DATE -				REVISED -																	