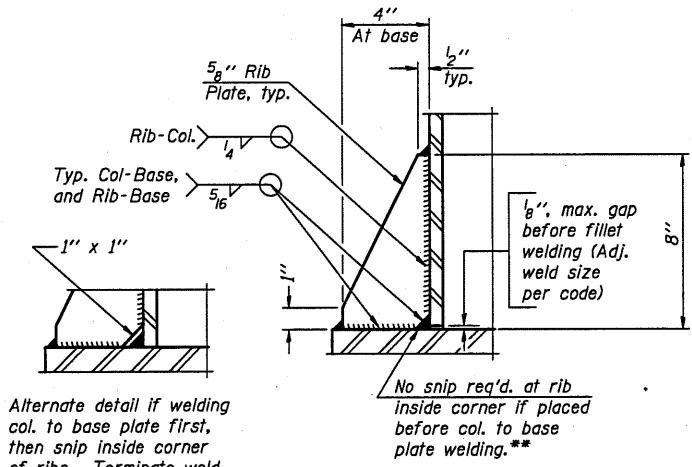
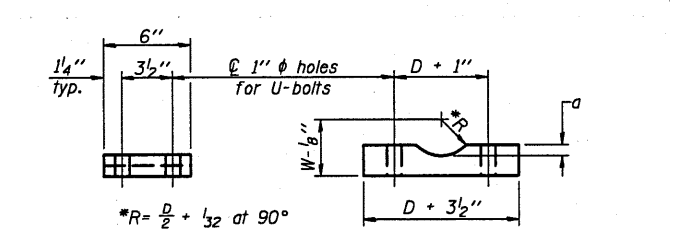


SECTION B-B

NUMBER	REVISION	DATE



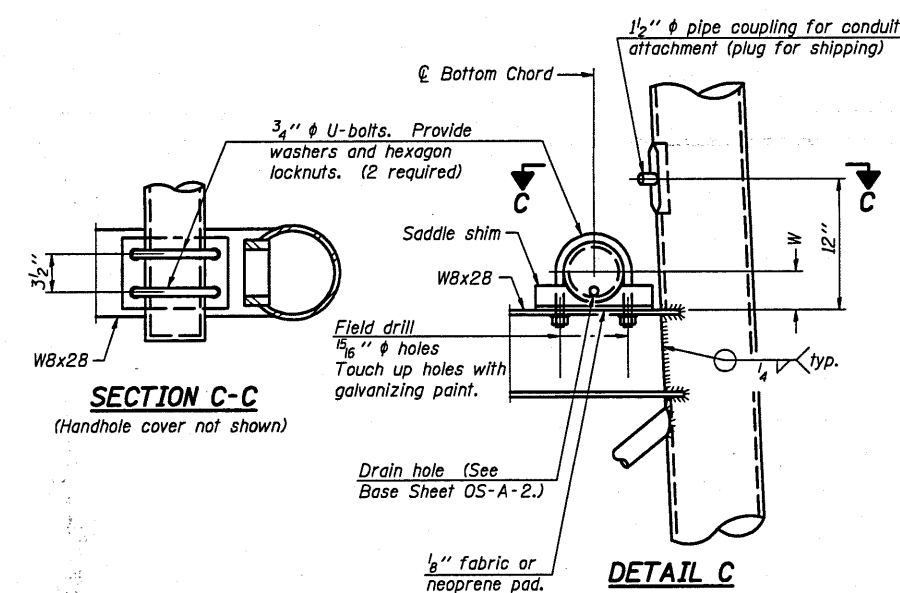
SECTION D-D



SADDLE SHIM DETAIL

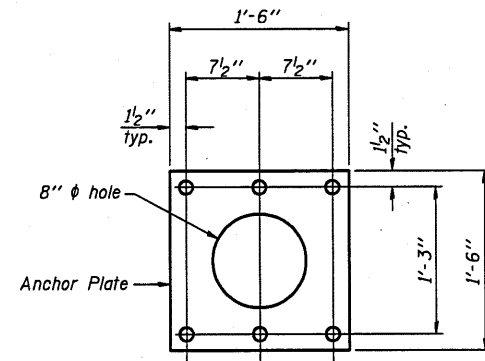
ASTM B26 Alloy 356-F
or
ASTM B209 Alloy 6061-T651
(4 required per sign truss)

Truss Chord Nominal Dia.	a
5"	3/4"
5 1/2"	13/16"
6"	7/8"
6 1/2"	15/16"
7"	1"

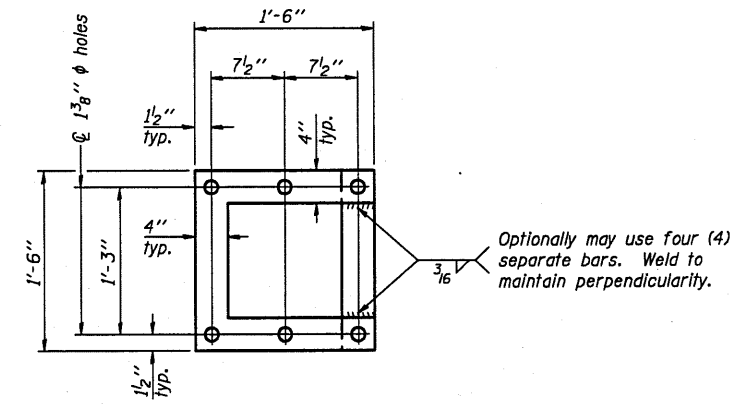


SECTION C-C

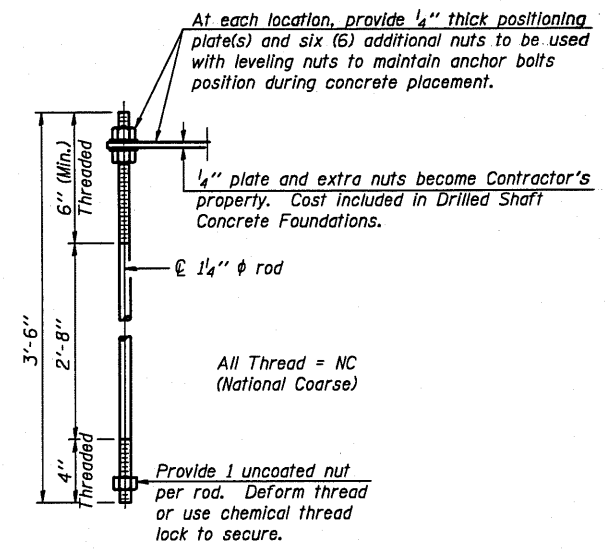
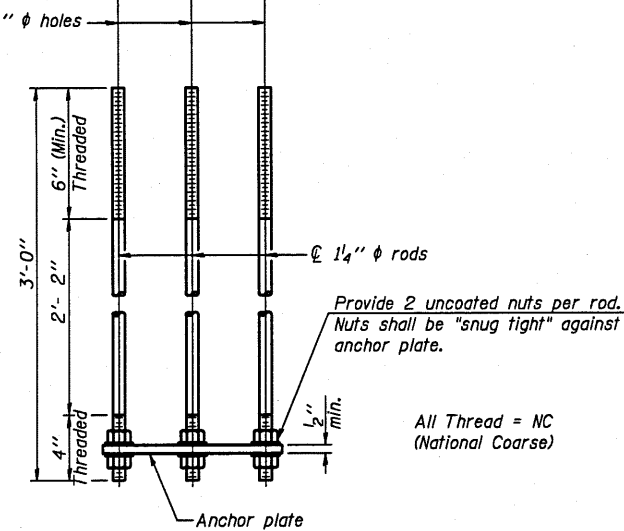
DETAIL C



ANCHOR ROD DETAIL
Spread Footing Foundation



POSITIONING PLATE(S)



ANCHOR ROD DETAIL
Drilled Shaft Foundation

Anchor rods shall conform to AASHTO M314 Grade 36 or 50 and meet Charpy V-Notch (CVN) energy of 15 lb.-ft. at 40° F. Galvanize upper 12" per AASHTO M232. No welding shall be permitted on rods.

10" PIPE SUPPORT FRAME DETAILS

OS-A-6A

12-1-08

FILE NAME =	USER NAME = buckleeJJ	DESIGNED -	REVISED -	STATE OF ILLINOIS DEPARTMENT OF TRANSPORTATION	OVERHEAD SIGN STRUCTURES SUPPORT FRAME DETAILS ALUMINUM TRUSS				F.A.I. RTE.	SECTION	COUNTY	TOTAL SHEETS	SHEET NO.
cr:\pwwork\pwwork\buclleeJJ\d0212597\0546135-shc-Detail.dgn	PLT SCALE = 48.8800 / IN.	DRAWN -	REVISED -		57&74		Champaign	37	16				
PLT DATE = 7/28/2010	DATE	CHECKED -	REVISED -		D-5 OVD SIGN STR REPL 2011-12 CONTRACT NO. 46135				ILLINOIS FED. AID PROJECT				
		DATE	REVISED -		SCALE:	SHEET NO.	OF SHEETS	STA.	TO STA.				