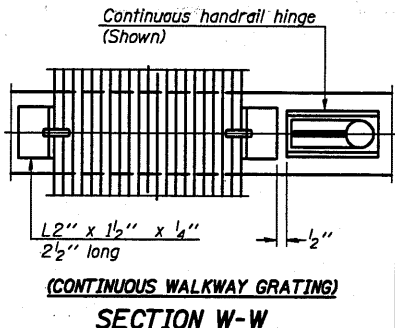
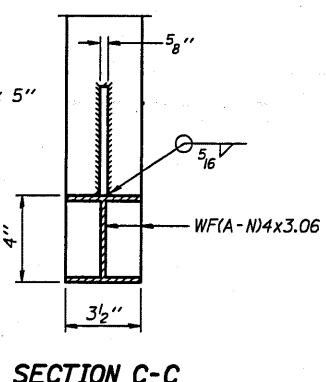
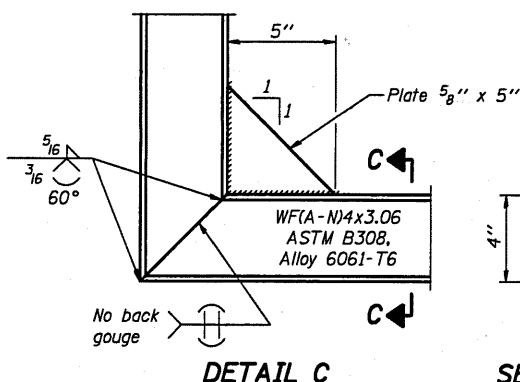


SPECIFICATIONS FOR STANDARD ALUMINUM GRATING

Main Bearing Bars shall be 3/16" x 1 1/2" on 1 3/16" centers and conform to ASTM B221 Alloy 6061-T6.
 Cross bars shall be 3/16" x 1 1/2" on 4" centers and conform to ASTM B221 Alloy 6063-T5 or 6061-T6.

OR
 Aluminum Grating with modified "T" sections for main bearing bars shall meet the following requirements:
 Main bars shall conform to ASTM B221 Alloy 6061-T6 and have a minimum section modulus equal to 0.0705 in.³ per bar, a depth of 1 1/2", spaced on 1 3/16" centers.
 Cross bars shall conform to ASTM B221 Alloy 6063-T5 or T-42 and spaced on 4" centers.

- ① Drilling holes in grating may be done in shop or field, based on Contractor's preference and subject to accurate alignment.
- ② Stainless steel shims shall be placed as shown in Detail T if needed to compensate for alignment variations between horizontal and diagonal pipes beyond adjustment provided by angles. Thicker shims may be used subject to shims performing properly.
- ③ If Handrail Joint present, weld angle to WF(A-N)4 and 1/4" extension bars. (See Base Sheet OS-A-11.)
- ④ 1/2" x 1/2" x 2" welded to handrail posts to protect locations that contact grating.
- ⑤ Tube to grating gap may vary from 0 to 1/2", max. to align walkway, allow for camber, etc.
- ⑥ Based on actual height of tallest sign given on OS-A-1.



NUMBER	REVISION	DATE

Structure Number	Station	A	⑥ B	C	⑥ D*
5 S 010 1057 R249.73	RAMP BD 15+00	5 1/16"	2'-0"	4'-6"	7'-0"
5 S 010 1057 L250.43	RAMP AC 135+00	5 1/16"	2'-0"	4'-6"	& VAR. 7'-0"
5 S 010 1057 L237.52	613+17	6 1/16"	6'-7 1/2"	5'-3"	& VAR. 12'-4 1/2"

OS-A-10 6-1-09

FILE NAME =	USER NAME = bucklesj	DESIGNED -	REVISED -
ca:\pw\work\p\sidet\bucklesj\0212597\056135-aht-Details.dgn		DRAWN -	REVISED -
		CHECKED -	REVISED -
		DATE -	REVISED -

STATE OF ILLINOIS
 DEPARTMENT OF TRANSPORTATION

OVERHEAD SIGN STRUCTURES
 ALUMINUM WALKWAY DETAILS

F.A.I. RTE.	SECTION	COUNTY	TOTAL SHEETS	SHEET NO.
57&74		Champaign	37	18

D-5 OVD SIN STR REPL 2011-12 CONTRACT NO. 46135
 ILLINOIS FED. AID PROJECT

SCALE: SHEET NO. OF SHEETS STA. TO STA.