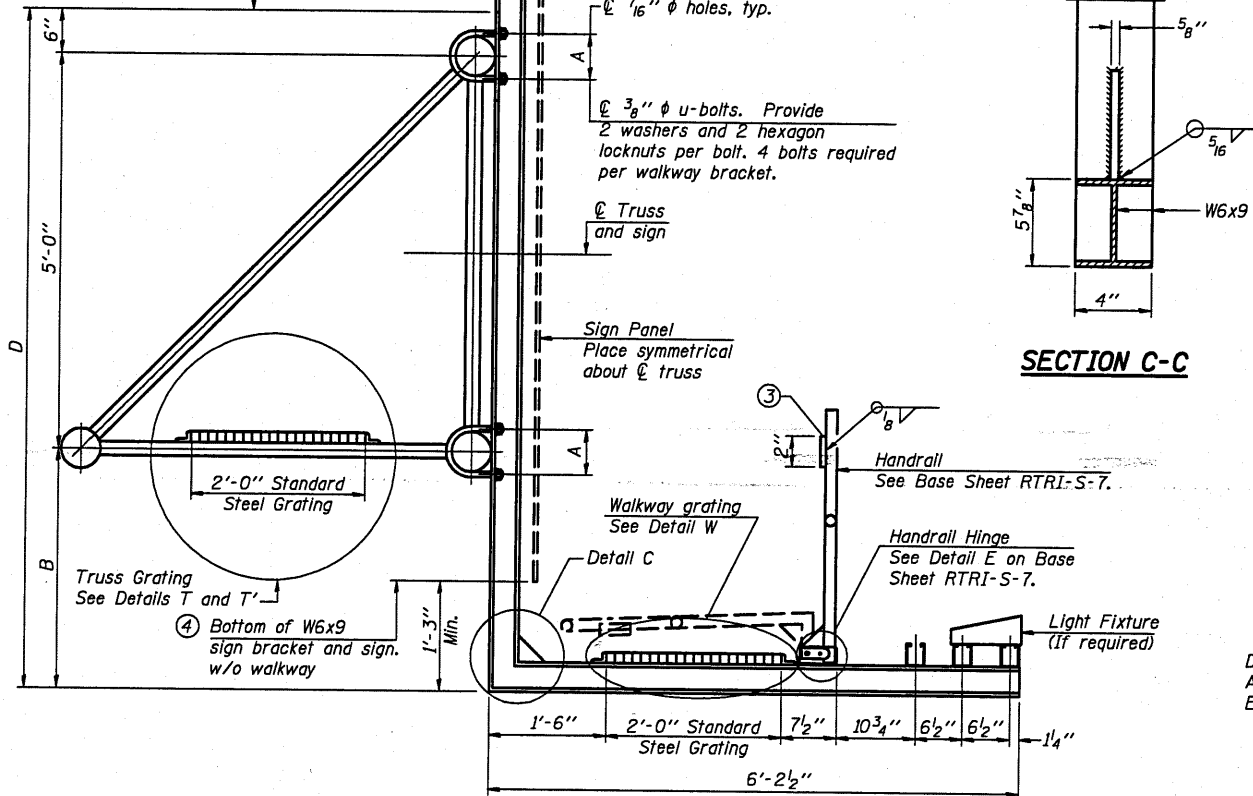
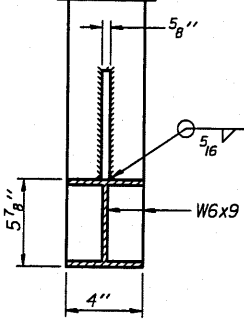


Minimum elevation for top of W6x9 for support walkway without sign.

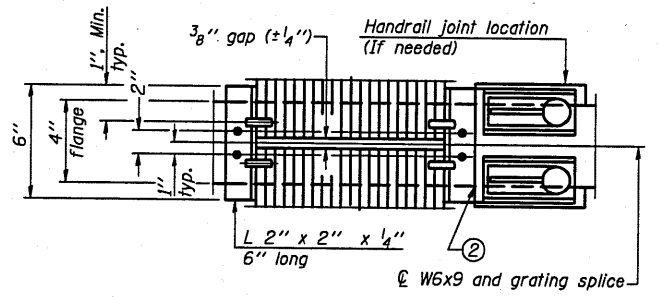
Sign shall be even with the top of the bracket, but it may extend no more than 6" above the top of the bracket for field adjustments.



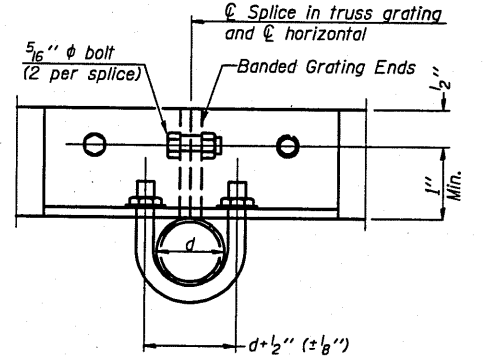
SECTION B-B



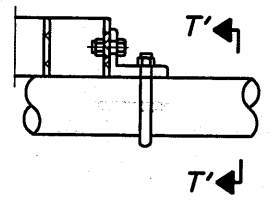
SECTION C-C



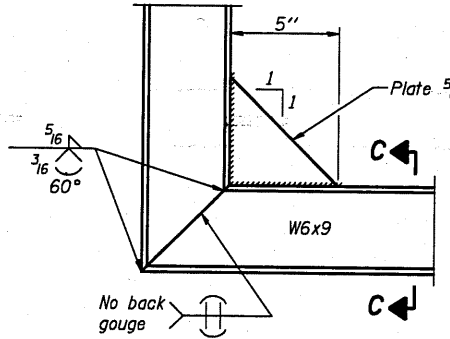
(AT WALKWAY GRATING SPLICE)



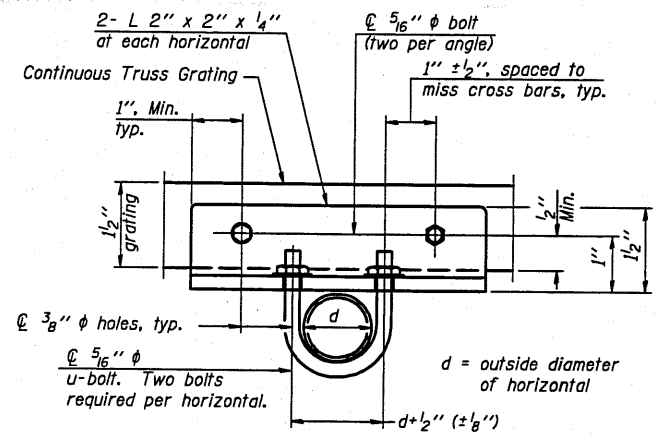
SECTION T'-T'



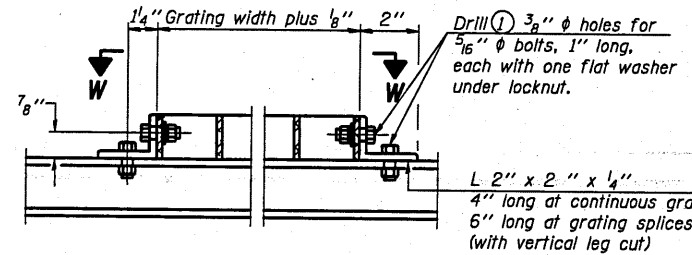
DETAIL T'
(Truss grating splice)
Details not shown same as Detail T. Alternate materials may be used subject to the Engineer's review and approval.



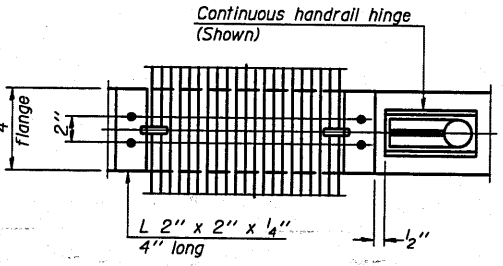
DETAIL C



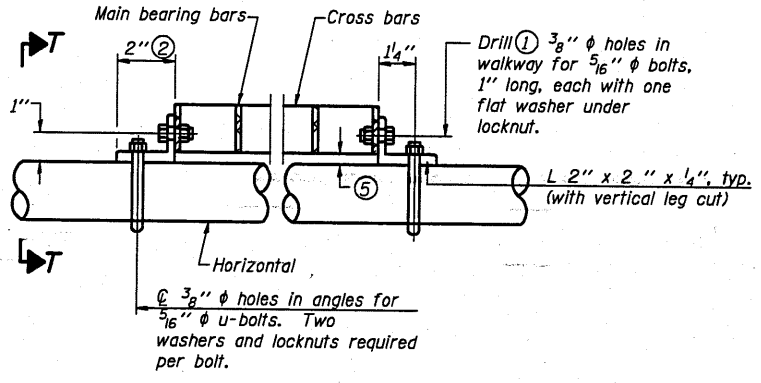
SECTION T-T



DETAIL W
(Walkway grating)



(CONTINUOUS WALKWAY GRATING)
SECTION W-W



DETAIL T
(Continuous Truss grating)

- ① Drilling holes in grating may be done in shop or field, based on Contractor's preference and subject to accurate alignment.
- ② If Handrail Joint present, weld angle to W6x9 and 1/4" extension bars. (See Base Sheet TRI-S-7.)
- ③ 1/8" x 1/2" x 2" welded to handrail posts to protect locations that contact grating.
- ④ For projects that don't require walkway and lighting.
- ⑤ Tube to grating gap may vary from 0 to 1/2", max. to align walkway, allow for camber, etc.
- ⑥ Based on actual height of tallest sign given on TRI-S-1.

BARS SIZES FOR STANDARD STEEL GRATING

WALKWAY GRATING Main bearing bars 3/8" x 1/2" on 1 3/16" centers. Cross bars 3/8" x 1/2" on 4" centers. All intersects welded.

Structure Number	Station	A	⑥ B	⑥ D*
5 S 010 I074 R185.40	39+46	4 5/16"	2'-9"	8'-3" & VAR.
* See also "Sign Truss Mounting Details" sheets 7&8 for the information needed to determine the variable walkway support & sign support lengths.				

NUMBER	REVISION	DATE

TRI-S-7 6-1-09