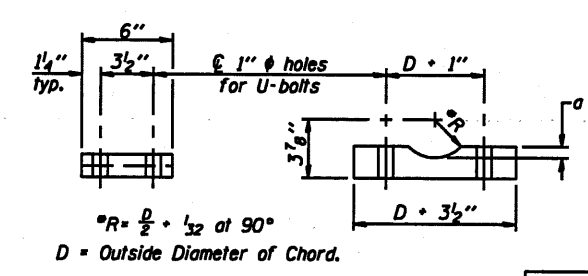
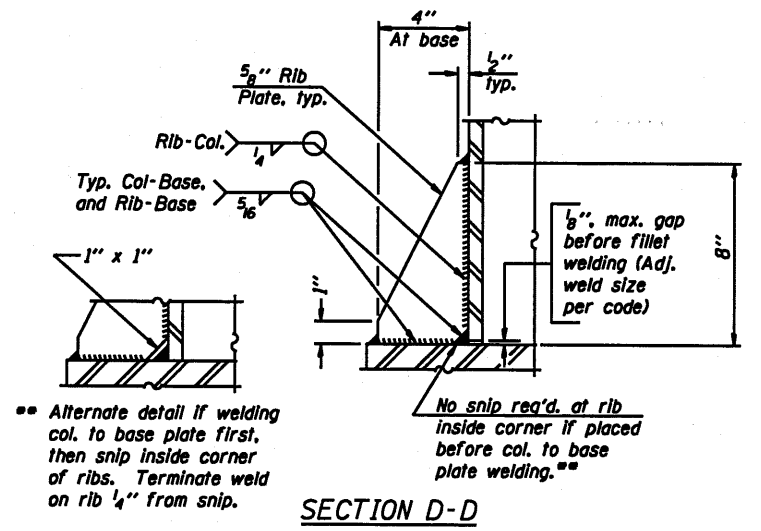
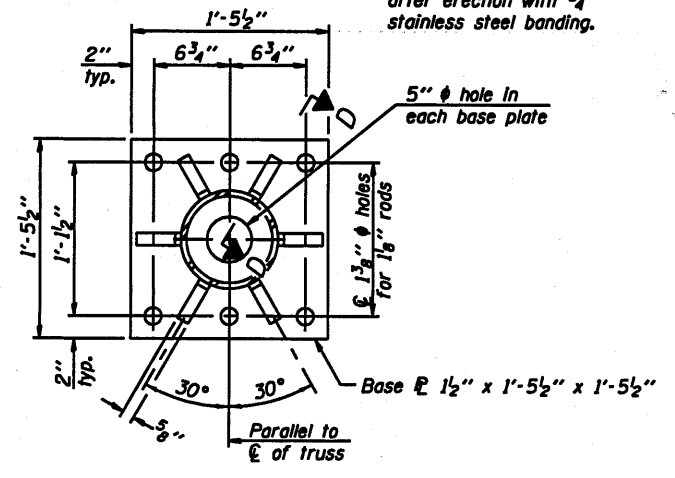
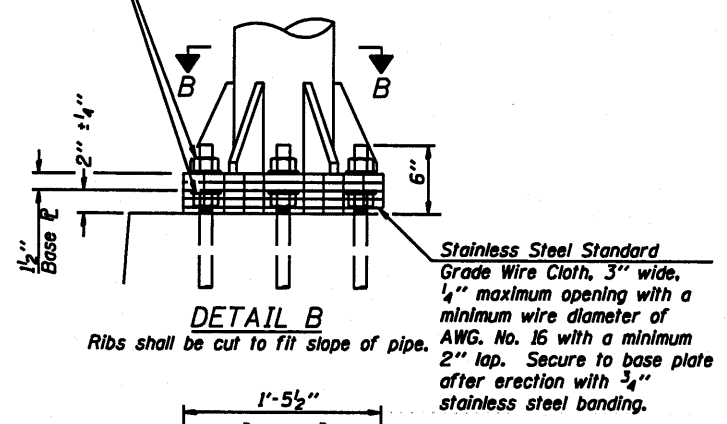
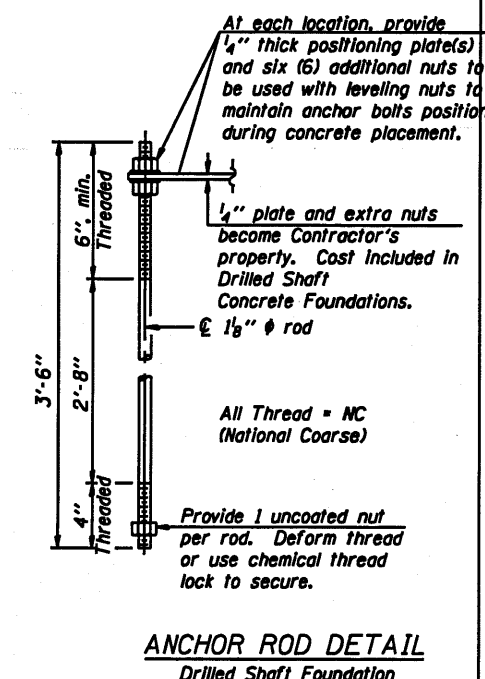
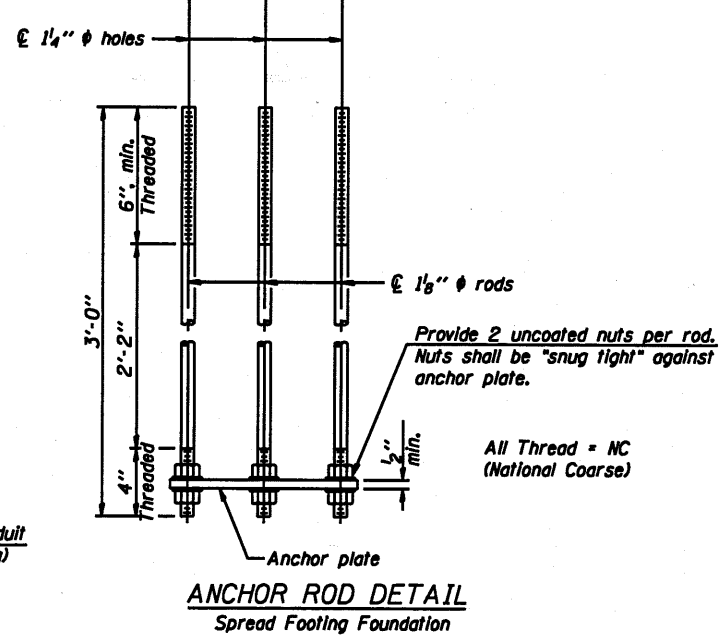
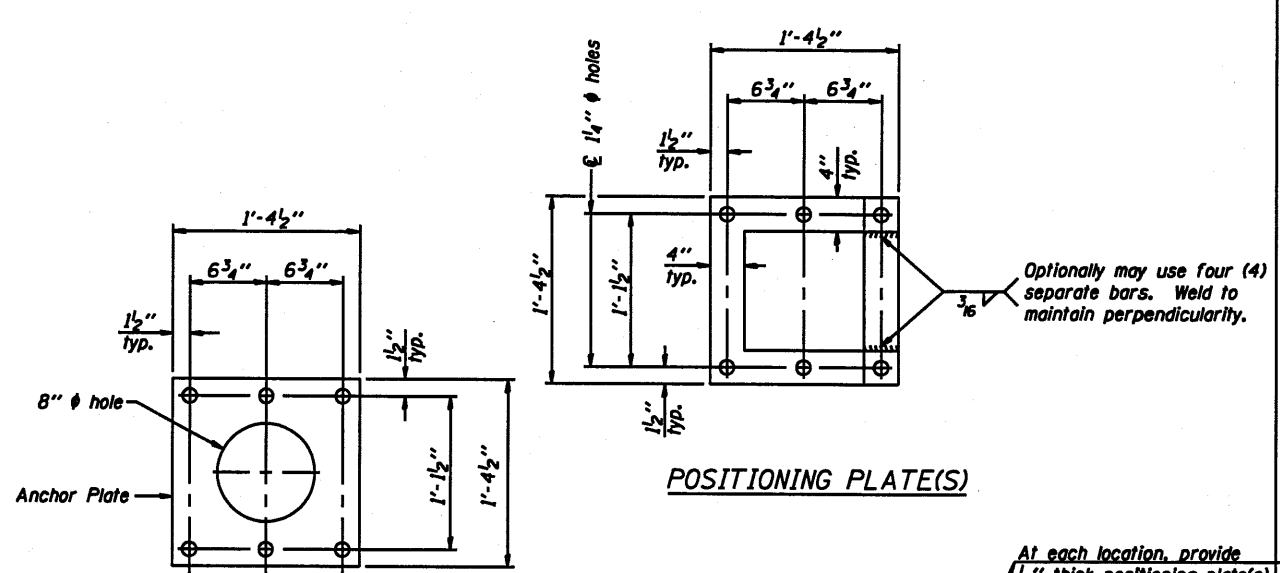
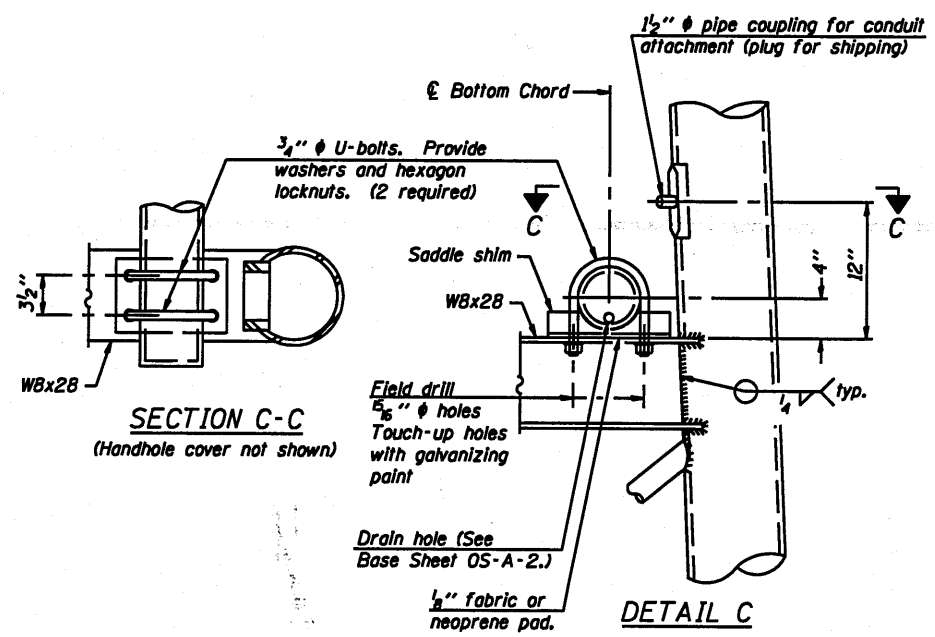


Hexagon locknut and washer (top), leveling nut and washer (bottom). Galvanize per AASHTO M232. Nuts shall each be tightened against base plate with 200 lb.-ft. minimum torque.



Truss Chord Nominal Dia.	a
5"	3/4"
5 1/2"	1 1/8"
6"	7/8"
6 1/2"	1 1/4"



Anchor rods shall conform to AASHTO M314 Grade 36 or 55 and meet Charpy V-Notch (CVN) energy of 15 lb.-ft. at 40° F. Galvanize upper 12" per AASHTO M232. No welding shall be permitted on rods.

TYPE I-A TRUSS
8" ϕ PIPE SUPPORT FRAME DETAILS

OS-A-4A 7-1-10

FILE NAME	USER NAME	DESIGNED	REVISIONS
		---	---
		CHECKED	REVISIONS
		---	---
		DRAWN	REVISIONS
		---	---
		CHECKED	REVISIONS
		---	---

STATE OF ILLINOIS
DEPARTMENT OF TRANSPORTATION

OVERHEAD SIGN STRUCTURES
SUPPORT FRAME DETAILS - ALUMINUM TRUSS

F.A. RTE.	SECTION	COUNTY	TOTAL SHEETS	SHEET NO.
Var	DI OVD SIM STR REPL11-30	Various	8	26
			CONTRACT NO.	46153
ILLINOIS FED. AID PROJECT				