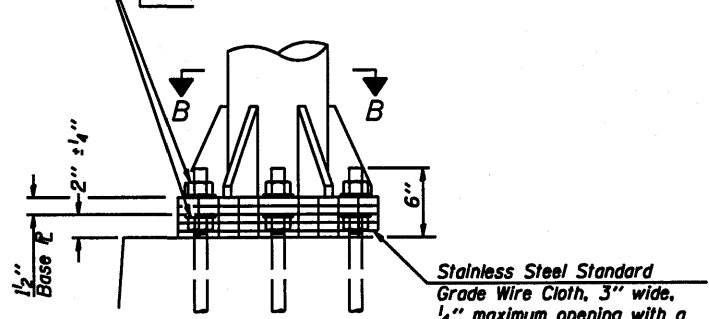
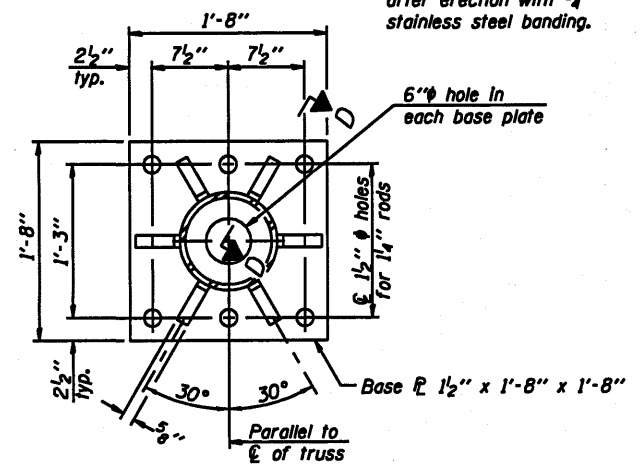


Hexagon locknut and washer (top), leveling nut and washer (bottom). Galvanize per AASHTO M232. Nuts shall each be tightened against base plate with 200 lb.-ft. minimum torque.

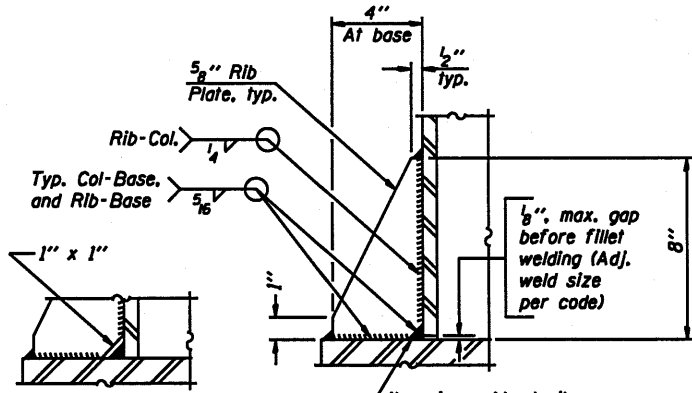


DETAIL B

Ribs shall be cut to fit slope of pipe.
Stainless Steel Standard Grade Wire Cloth, 3" wide, 1/4" maximum opening with a minimum wire diameter of AWG. No. 16 with a minimum 2" lap. Secure to base plate after erection with 3/4" stainless steel banding.

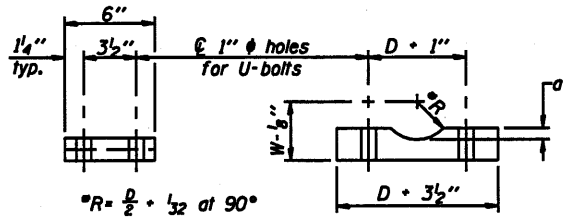


SECTION B-B



SECTION D-D

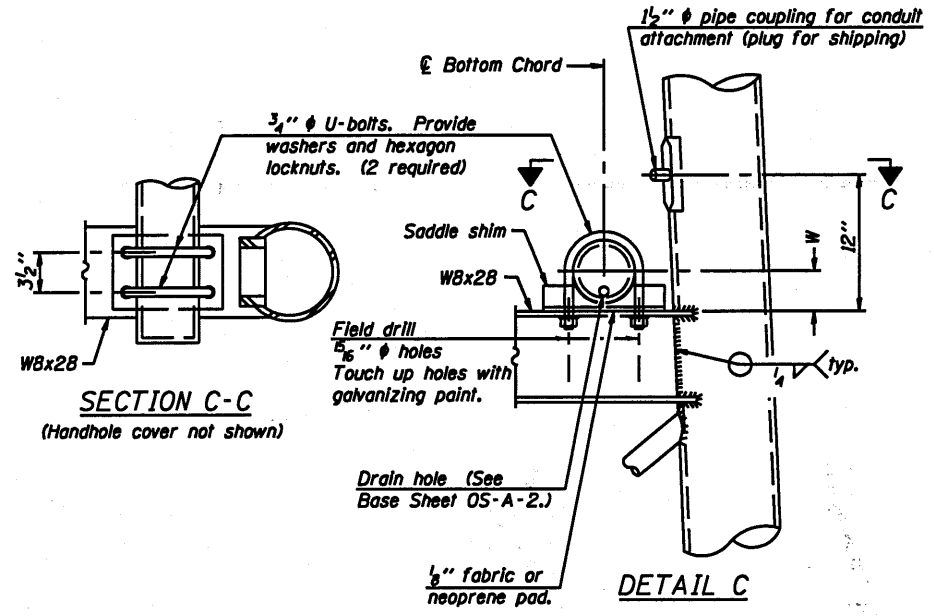
Alternate detail if welding col. to base plate first, then snip inside corner of ribs. Terminate weld on rib 1/4" from snip.
No snip req'd. at rib inside corner if placed before col. to base plate welding.



SADDLE SHIM DETAIL

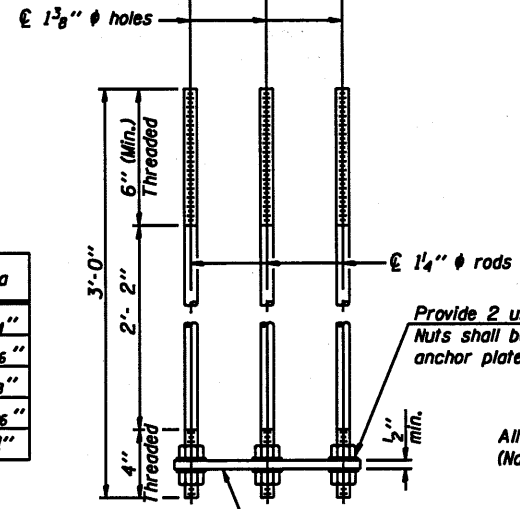
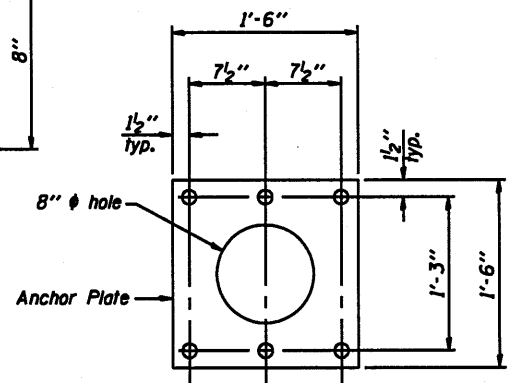
ASTM B26 Alloy 356-F or ASTM B209 Alloy 6061-T651 (4 required per sign truss)

Truss Chord Nominal Dia.	a
5"	3/4"
5 1/2"	13/16"
6"	7/8"
6 1/2"	15/16"
7"	1"



SECTION C-C
(Handhole cover not shown)

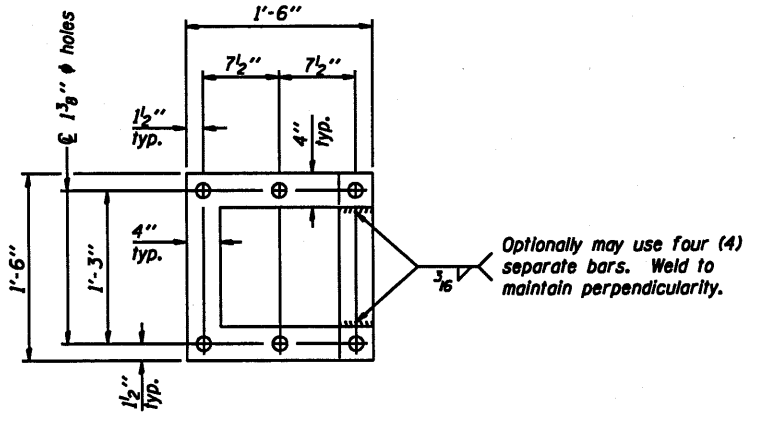
DETAIL C



ANCHOR ROD DETAIL
Spread Footing Foundation

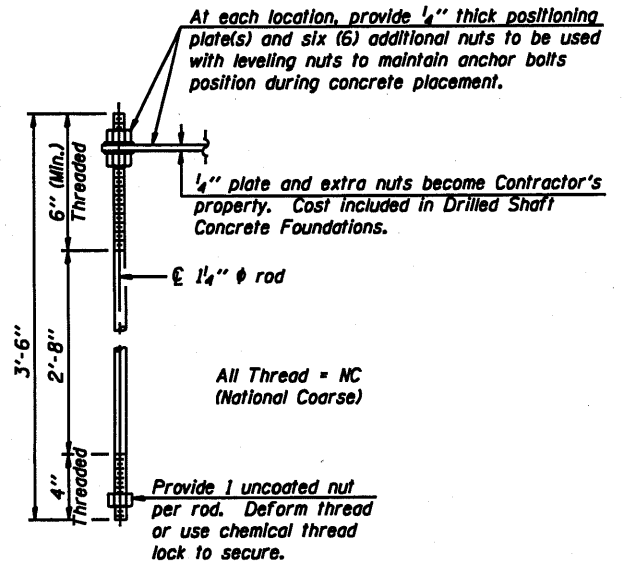
All Thread = NC (National Coarse)

Provide 2 uncoated nuts per rod. Nuts shall be "snug tight" against anchor plate.



POSITIONING PLATE(S)

Optionally may use four (4) separate bars. Weld to maintain perpendicularity.



ANCHOR ROD DETAIL
Drilled Shaft Foundation

All Thread = NC (National Coarse)

At each location, provide 1/4" thick positioning plate(s) and six (6) additional nuts to be used with leveling nuts to maintain anchor bolts position during concrete placement.

1/4" plate and extra nuts become Contractor's property. Cost included in Drilled Shaft Concrete Foundations.

Provide 1 uncoated nut per rod. Deform thread or use chemical thread lock to secure.

Anchor rods shall conform to AASHTO M314 Grade 36 or 50 and meet Charpy V-Notch (CVN) energy of 15 lb.-ft. at 40° F. Galvanize upper 12" per AASHTO M232. No welding shall be permitted on rods.

10" Ø PIPE SUPPORT FRAME DETAILS

OS-A-6A 7-1-10

FILE NAME	USER NAME	DESIGNED	REVISIONS	STATE OF ILLINOIS DEPARTMENT OF TRANSPORTATION	OVERHEAD SIGN STRUCTURES SUPPORT FRAME DETAILS - ALUMINUM TRUSS	SHEET NO. 9 OF 26 SHEETS	CONTRACT NO. 46153
		CHECKED	REVISIONS				
		DRAWN	REVISIONS				
		CHECKED	REVISIONS				
				SHEET NO. ... OF ... SHEETS		ILLINOIS FED. AID PROJECT	