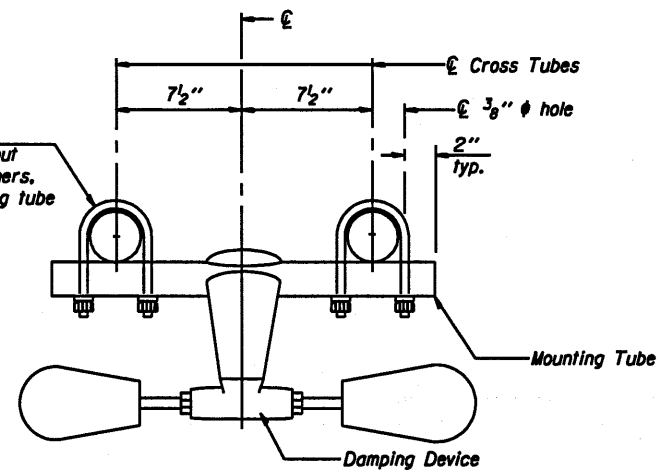
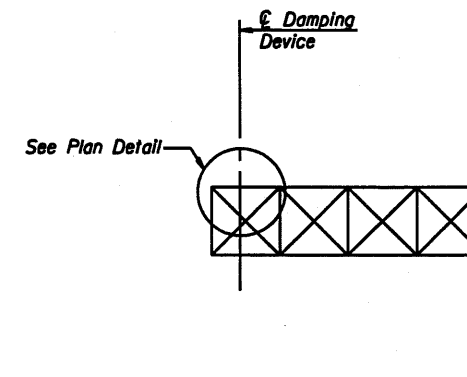


PLAN DETAIL



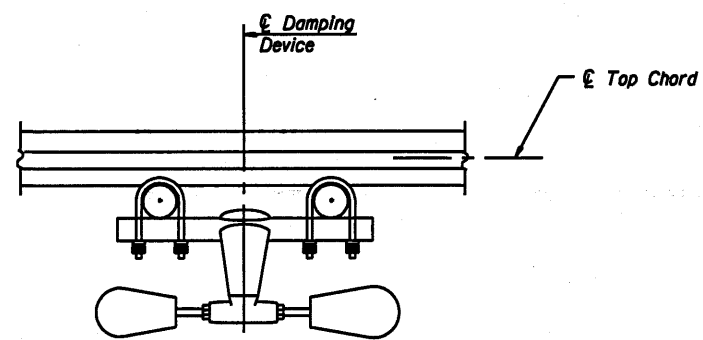
TRUSS DAMPING DEVICE CONNECTION DETAIL



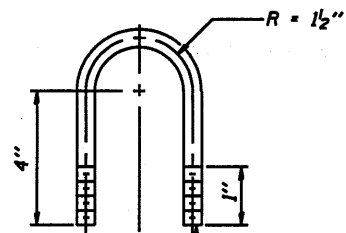
ELEVATION  
Aluminum Cantilever  
Sign Structure

GENERAL NOTES

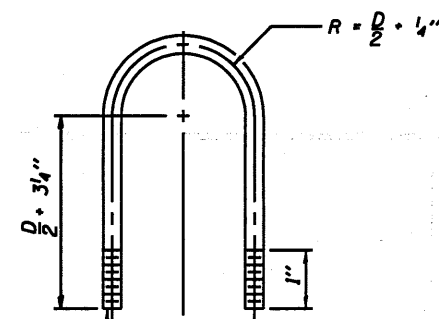
- Damper: One damper per truss. (31 lbs. Stockbridge-Type Aluminum-29" minimum between ends of weights)
- Materials: Aluminum tubes shall be ASTM B221 alloy 6061 temper T6



SECTION A-A



DAMPING DEVICE MOUNTING  
TUBE U-BOLT DETAIL  
(Typical)



TOP CHORD TO CROSS TUBE  
U-BOLT DETAIL  
(Typical)

OSC-A-D

7-1-10

FILE NAME *	USER NAME *	DESIGNED -	REVISD -
		CHECKED -	REVISD -
PLOT SCALE *		DRAWN -	REVISD -
PLOT DATE *		CHECKED -	REVISD -

STATE OF ILLINOIS  
DEPARTMENT OF TRANSPORTATION

CANTILEVER SIGN STRUCTURE  
DAMPING DEVICE

SHEET NO. \_\_\_ OF \_\_\_ SHEETS

F.A. RTE.	SECTION	COUNTY	TOTAL SHEETS	SHEET NO.
Var	01 OVD SIN STR REPL11-30	Various	17	26
			CONTRACT NO. 46153	
ILLINOIS FED. AID PROJECT				