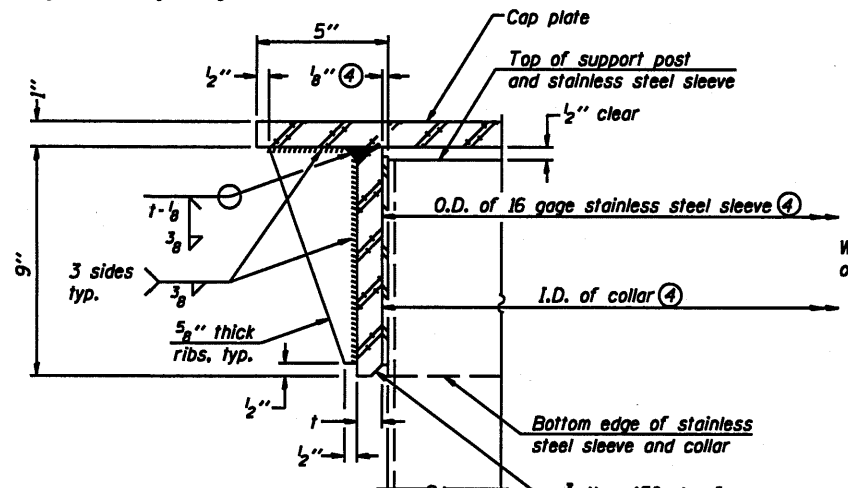
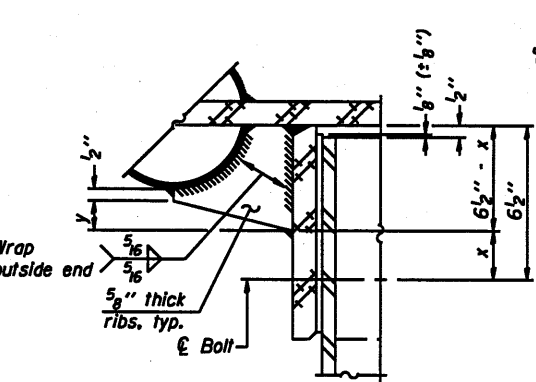


④ Collar I.D. shall be manufactured to correspond to O.D. of actual galvanized post and stainless steel sleeve plus 1/8" (±1/16"). Maximum gap between post and collar at any location equals 1/8" before tightening bolts.

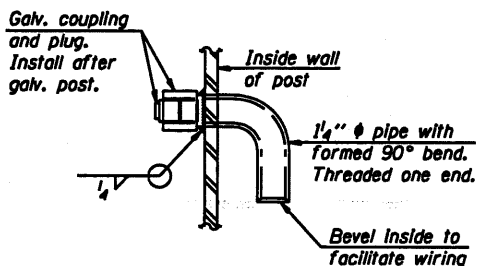
SECTION B-B
Bolts, washers (including contoured washers), and locknuts shall be stainless steel.



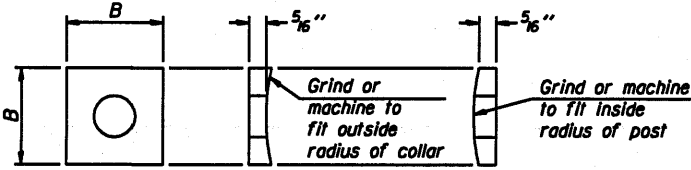
DETAIL A
(Two locations)



DETAIL B
Two locations
(For details not shown, see Detail C)



DETAIL D

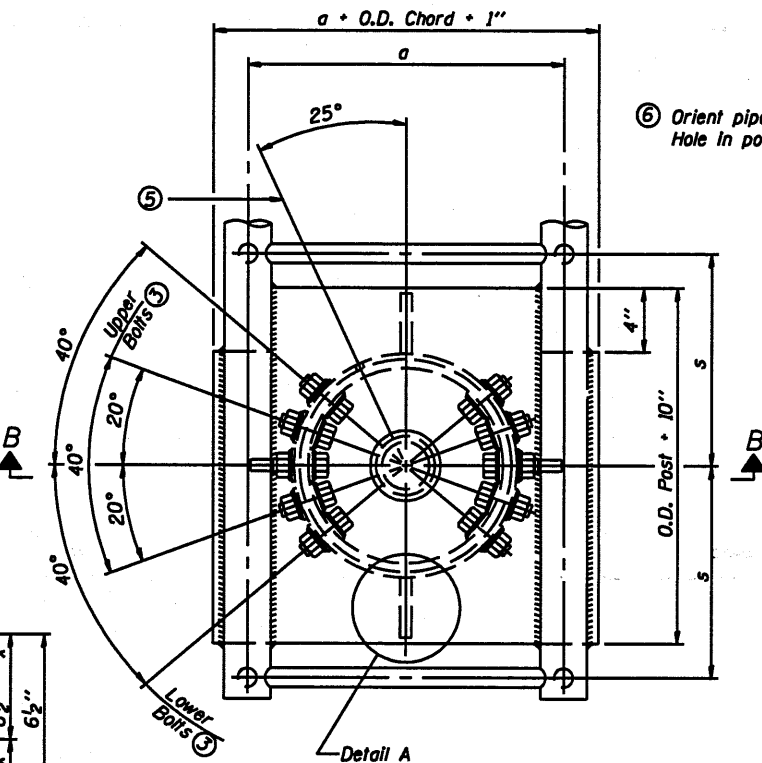


CONTOURED WASHERS

Bolt Size	Contoured Washers	
	Hole Dia.	B
7/8"	1"	2 1/2"
1"	1 1/8"	3"
1 1/4"	1 3/8"	3 1/4"

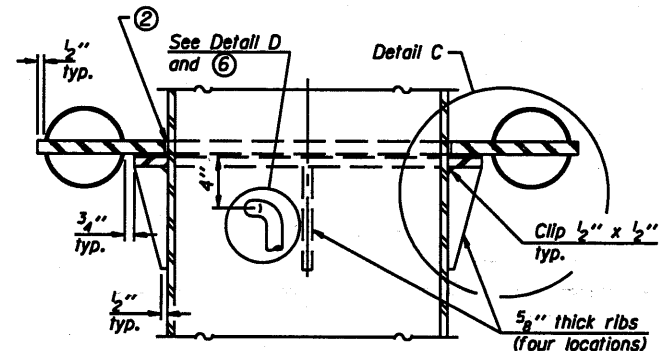
DETAIL OF STAINLESS STEEL SLEEVE

Weld to post after galvanizing. (Prepare post surface to insure tight, uniform fit and allow welding.) Welds to be 1/2" long at 6" cts. along top edge and at 1/4" opening.

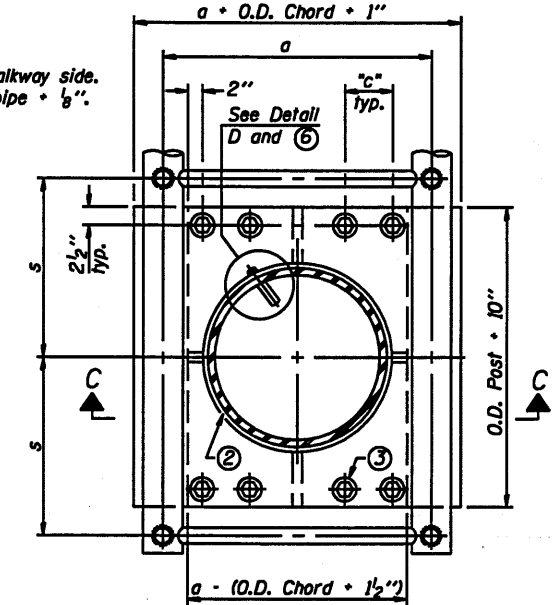


PLAN VIEW - TOP OF COLUMN

⑤ Optional full penetration weld in collar. (Two locations maximum....(180° apart)....X-ray or UT 100%)

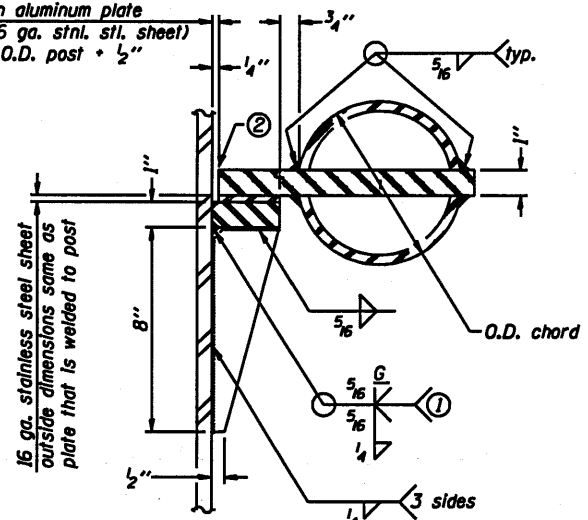


SECTION C-C



SECTION THRU POST ABOVE LOWER CHORDS

Hole in aluminum plate (and 16 ga. stnl. stl. sheet) to be O.D. post + 1/2"



DETAIL C

- ① Grind top if required to fully seat aluminum plate and stainless steel sheet.
- ② After tightening lower connection bolts, fill gap with non-hardening, silicone caulk suitable for exterior exposure and acceptable to the Engineer. Cost is included in Overhead Sign Structure Cantilever.
- ③ Upper and lower connection bolts in collar and bolts at lower chord connection shall be high strength with matching locknuts. Connection bolts shall have 2 stainless steel flat washers each.

Truss Type	Post Size	Upper & Lower Connection Bolt Diameter ③	Lower Juncture Bolt Spacing Dimension "c" ③	Opening in Cap Plate "HH"	Collar Thickness (t)	Side Ribs
						x y
I-C-A	1 1/2" φ (83#1)	7/8"	3 1/4"	8"	5/8"	1 3/4" 2 1/4"
II-C-A	2 1/4" φ (125#1)	1"	3 1/2"	12"	7/8"	2" 1 1/4"
III-C-A (35° max.)	2 1/4" φ (125#1)	1 1/4"	3 1/2"	12"	7/8"	2" 1"
III-C-A (>35° to 40°)	2 1/4" φ (171#1)	1 1/4"	3 1/2"	12"	7/8"	2" 1"

OSC-A-3 7-1-10

FILE NAME	USER NAME	DESIGNED	REVISIONS
		---	---
		---	---
		---	---
		---	---

STATE OF ILLINOIS
DEPARTMENT OF TRANSPORTATION

CANTILEVER SIGN STRUCTURES - JUNCTURE DETAILS
ALUMINUM TRUSS & STEEL POST
SHEET NO. ___ OF ___ SHEETS

F.A. RTE.	SECTION	COUNTY	TOTAL SHEETS	SHEET NO.
Var	D1 OVD SIN STR REPL11-30	Var'lous	18	26
			CONTRACT NO. 46153	
ILLINOIS FED. AID PROJECT				