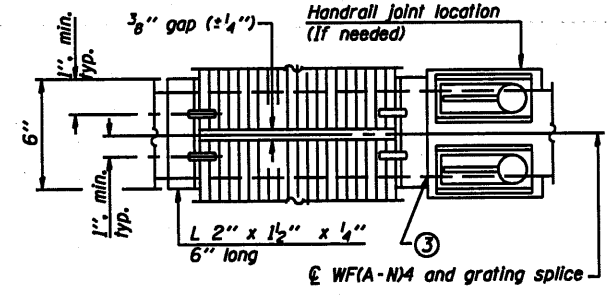
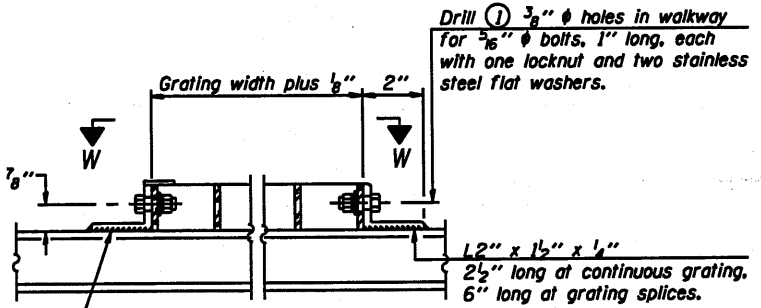


(CONTINUOUS WALKWAY GRATING)

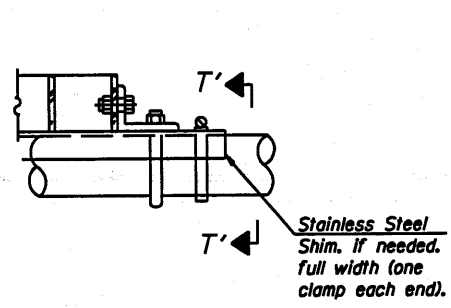


SECTION W-W

(AT WALKWAY GRATING SPLICE)

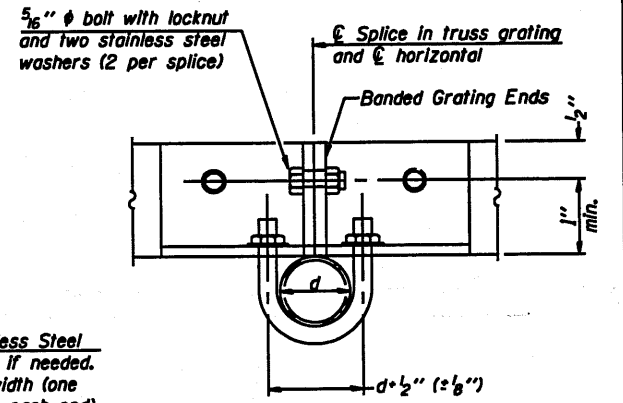


DETAIL W  
(Walkway grating)

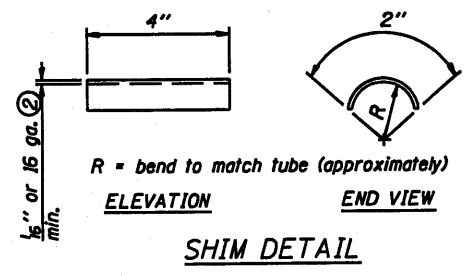


DETAIL T'  
(Truss grating splice)

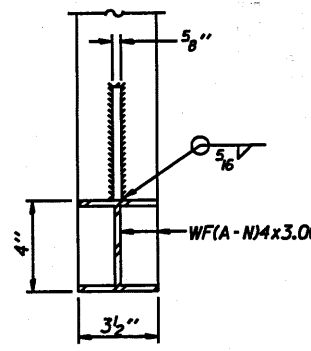
Details not shown same as Detail T. Alternate materials may be used subject to the Engineer's review and approval.



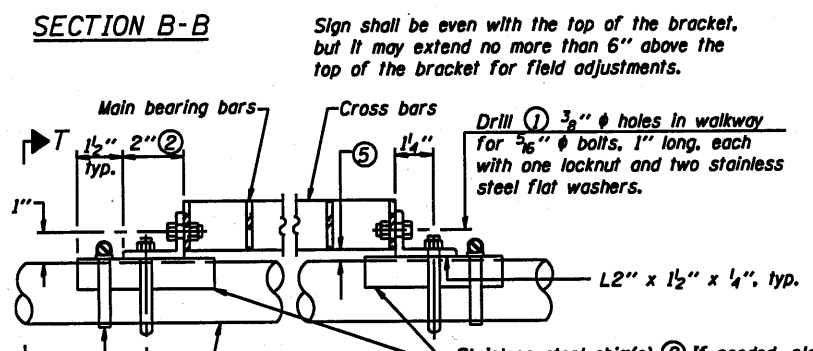
SECTION T'-T'



SHIM DETAIL

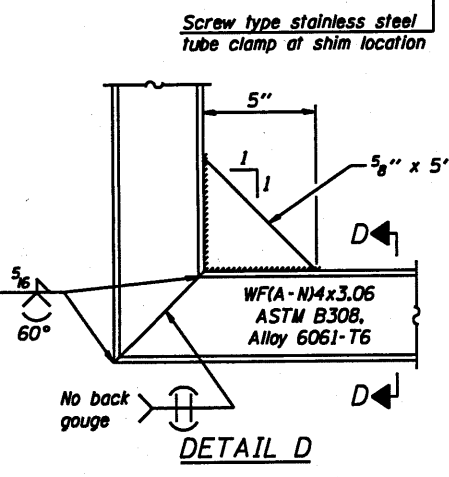


SECTION D-D

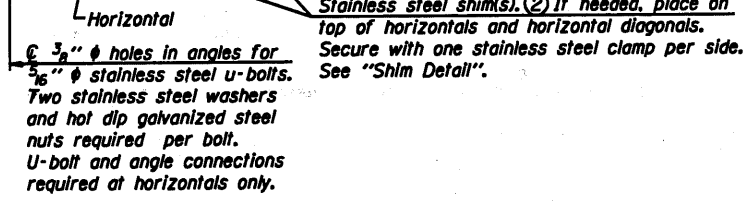


SECTION B-B

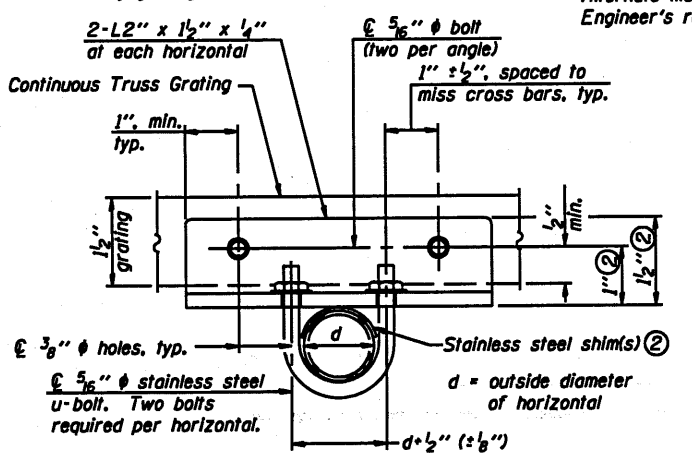
Sign shall be even with the top of the bracket, but it may extend no more than 6" above the top of the bracket for field adjustments.



DETAIL D



DETAIL T  
(Continuous Truss grating)



SECTION T-T

**SPECIFICATIONS FOR STANDARD ALUMINUM GRATING**  
Main Bearing Bars (MBB) shall be 3/16" x 1 1/2" on 1 3/16" centers and conform to ASTM B211 Alloy 6061-T6.  
Cross bars (CB) shall be 3/16" x 1 1/2" on 4" centers and conform to ASTM B221 Alloy 6063-T5 or 6061-T6.

OR  
Aluminum Grating with modified "I" sections for main bearing bars shall meet the following requirements:  
Main bars shall conform to ASTM B221 Alloy 6061-T6 and have a minimum section modulus equal to 0.0705 in.<sup>3</sup> per bar, a depth of 1 1/2", spaced on 1 3/16" centers.  
Cross bars shall conform to ASTM B221 Alloy 6063-T5 or T-42 and spaced on 4" centers.

- ① Drilling holes in grating may be done in shop or field, based on Contractor's preference and subject to accurate alignment.
- ② Stainless steel shims shall be placed as shown in Detail T if needed to compensate for alignment variations between horizontal and diagonal pipes beyond adjustment provided by angles. Thicker shims may be used subject to shims performing properly.
- ③ If Handrail Joint present, weld angle to WF(A-N)4 and 1/4" extension bars. (See Base Sheet OSC-A-8.)
- ④ L 1/2" x 1/2" x 2" welded to handrail posts to protect locations that contact grating.
- ⑤ Tube to grating gap may vary from 0 to 1/2", max. to align walkway, allow for camber, etc.
- ⑥ Based on actual sign height, D<sub>s</sub>, given on OSC-A-1.

Structure Number	Station	A	⑥ B	C	⑥ D
1C0161094R034.0-000		7 1/2"	3'-6"	7'-0"	11'-0"

OSC-A-7 7-1-10

FILE NAME	USER NAME	DESIGNED	REVISIONS
		CHECKED	REVISIONS
		DRAWN	REVISIONS
		CHECKED	REVISIONS

STATE OF ILLINOIS  
DEPARTMENT OF TRANSPORTATION

CANTILEVER SIGN STRUCTURES - WALKWAY DETAILS  
ALUMINUM TRUSS & STEEL POST  
SHEET NO. ... OF ... SHEETS

F.A. RTE.	SECTION	COUNTY	TOTAL SHEETS	SHEET NO.
Var	DI DVD SIN STR REPL11-30	Var-Ious	21	26
CONTRACT NO. 46153			ILLINOIS FED. AID PROJECT	