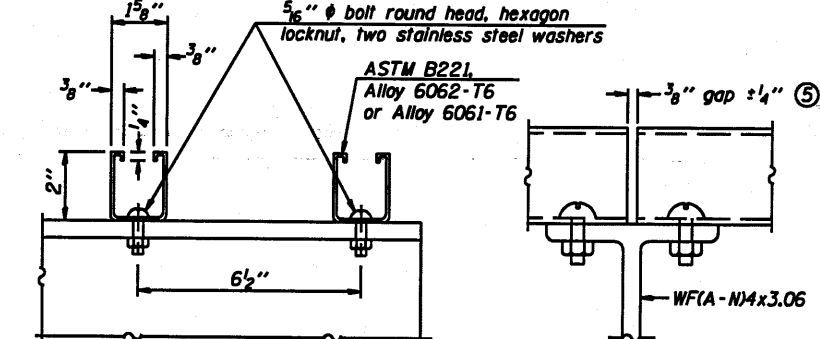
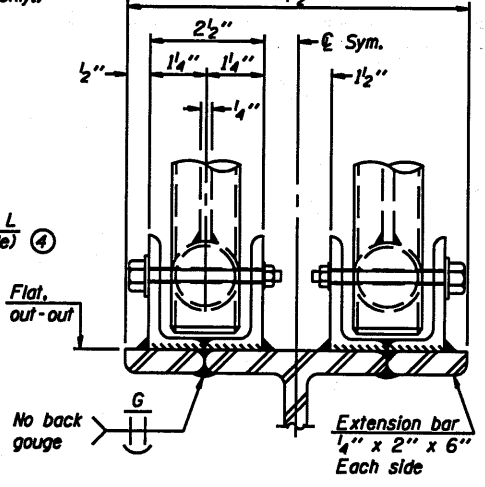
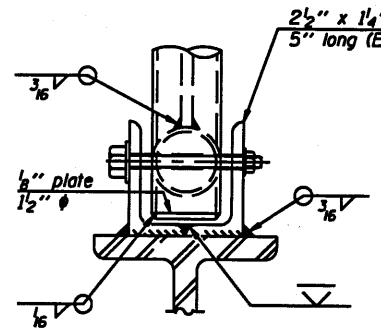
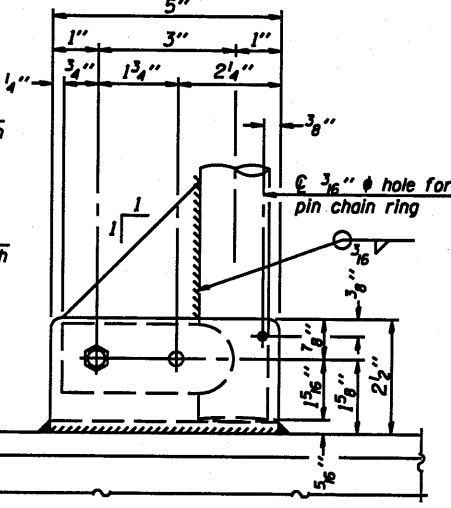
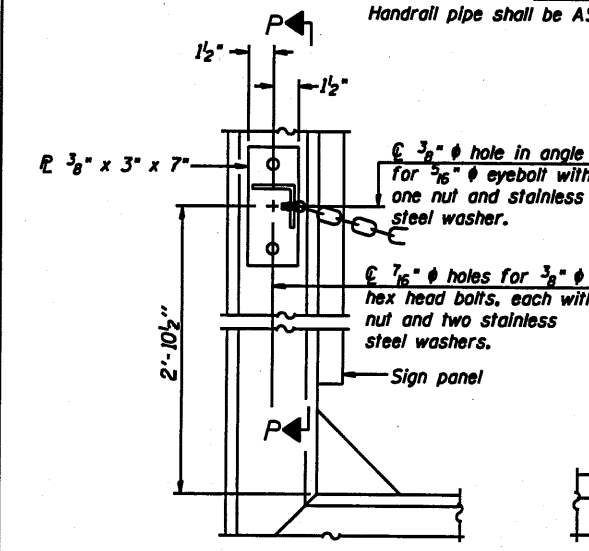


HANDRAIL DETAILS

Handrail pipe shall be ASTM B241 or B429, Alloy 6063-T6 or Alloy 6061-T6.

① Install standard force-fit end caps or weld 1/8" end plates with 1/8" c.f.w. and grind smooth. (All roll ends)
② Horizontal handrail member shall be continuous thru fitting. Provide 1/16" hole in fitting for 3/8" bolt. Field drill 7/16" hole in horizontal rail member. Provide locknut and two stainless steel washers for bolt. (Use 5/16" eyebolts in 7/16" holes on top rail at ends only.)

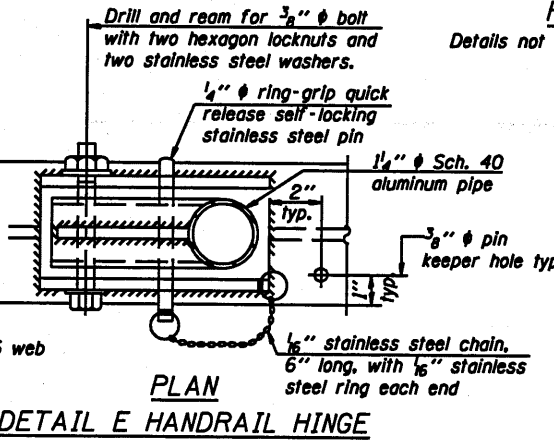
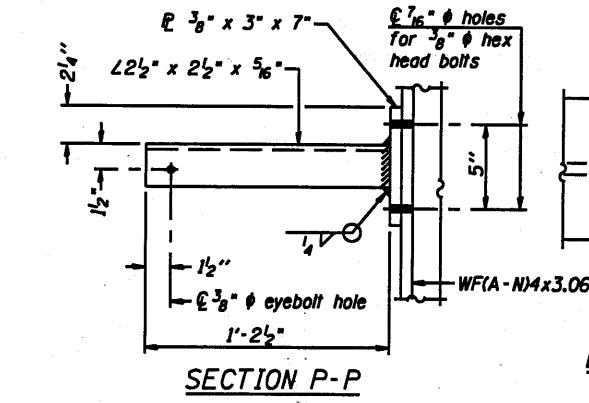


LIGHTING FIXTURE MOUNTS (IF REQUIRED)

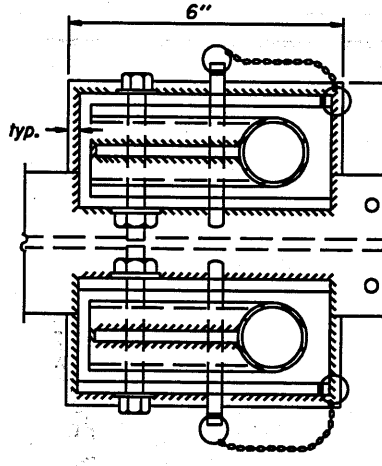
⑤ Field cut ends of light support channels shall be free of burrs or hazardous projections and coated with zinc-rich primer or equivalent.

ALTERNATE SAFETY CHAIN ATTACHMENT (With Sign Present)

Items not shown same as "Side Elevation" of "Handrail Details"

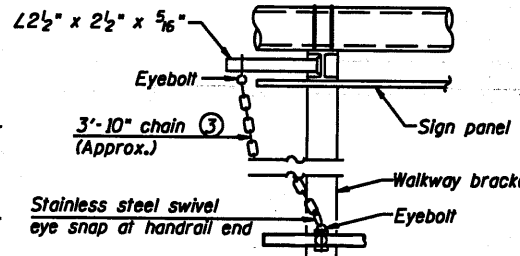


FRONT ELEVATION
Details not shown same as "ELEVATION" at right.



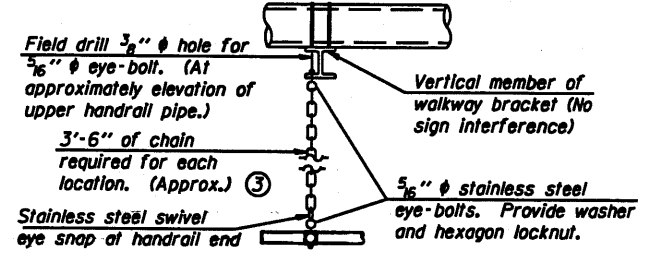
PLAN AT HANDRAIL JOINT
Details not shown same as "PLAN"

ELEVATION AT HANDRAIL JOINT
Details not shown same as "FRONT ELEVATION"



ALTERNATE SAFETY CHAIN ATTACHMENT
Details not shown similar to "Safety Chain" Details (Walkway omitted for clarity)

③ 3/16" Type 304L stainless steel chain, approximately 12 links per foot.
④ Extrusions may be used in lieu of the details shown, with approval of the Engineer.



SAFETY CHAIN
One required for each end of each walkway.

OSC-A-B

7-1-10

FILE NAME	USER NAME	DESIGNED	REVISIONS
		---	---
PLOT SCALE	DRAWN	---	---
PLOT DATE	CHECKED	---	---

STATE OF ILLINOIS
DEPARTMENT OF TRANSPORTATION

CANTILEVER SIGN STRUCTURES - HANDRAIL DETAILS
ALUMINUM TRUSS & STEEL POST

SHEET NO. ... OF ... SHEETS

F.A. RTE.	SECTION	COUNTY	TOTAL SHEETS	SHEET NO.
Var	DI DVD SIN STR REPL11-30	Various	22	26
			CONTRACT NO. 46153	
ILLINOIS FED. AID PROJECT				