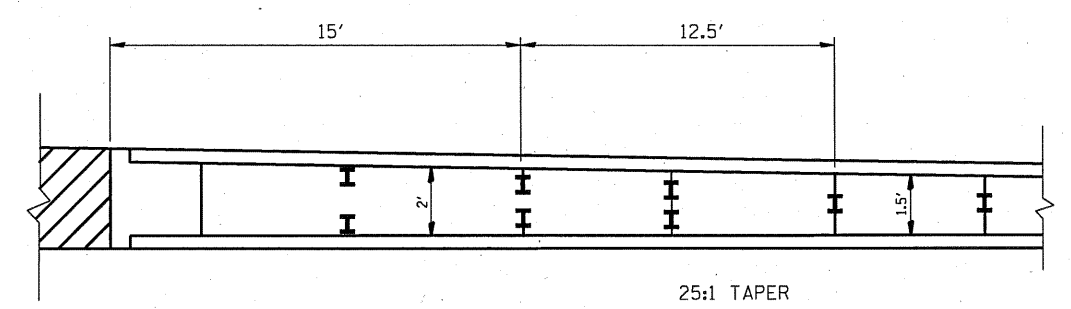
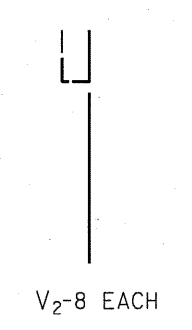
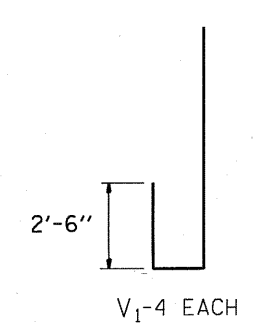
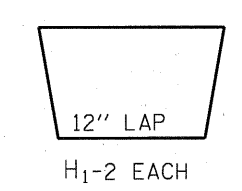
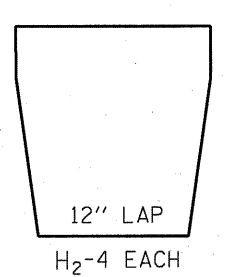
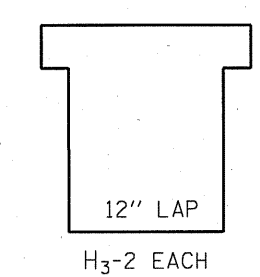


#6 DOWEL BARS  
DRILL AND GROUT ON ROW OF THREE BARS



GUARD RAIL TRANSITIONS

NOTES: CLASS SI CONCRETE SHALL BE USED THROUGHOUT  
REINFORCEMENT TO BE SIZE #4 UNLESS OTHERWISE  
NOTED

FILE NAME =	USER NAME = midyja	DESIGNED -	REVISED -	<b>STATE OF ILLINOIS DEPARTMENT OF TRANSPORTATION</b>	<b>TYPICAL DETAILS FOR STEEL PLATE BEAM GUARDRAIL ANCHORAGE REPAIR</b>	F.A. RTE.	SECTION	COUNTY	TOTAL SHEETS	SHEET NO.
Plot SCALE = 1/8" = 1'-0"	CHECKED -	REVISED -	VAR			2010-058 GRR	VARIOUS	21	8	
Plot DATE = 8/27/2018	DATE -	REVISED -	CONTRACT NO. 60L36							
			FED. ROAD DIST. NO. [ILLINOIS] FED. AID PROJECT							
		SCALE:			SHEET NO. OF SHEETS		STA. TO STA.			