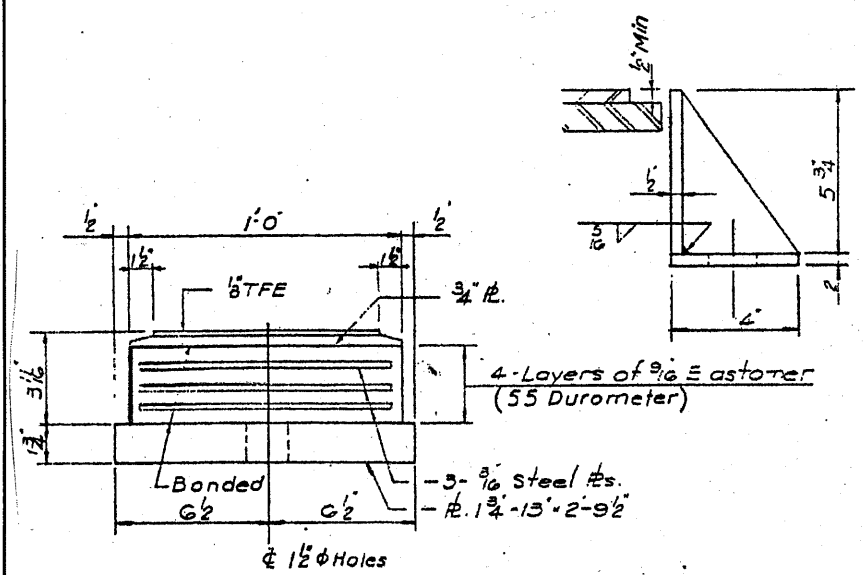
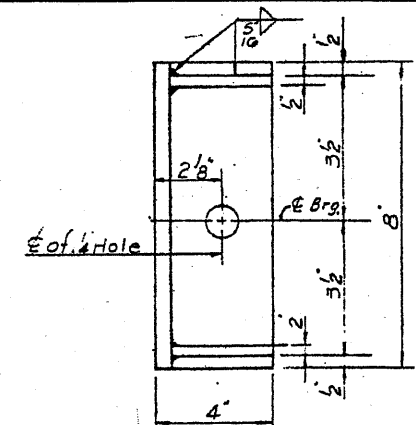


ROUTE VARIOUS	SECTION 2010-088-BP	COUNTY COOK AND LAKE	TOTAL SHEETS 25	SHEET NUMBER 23
------------------	------------------------	-------------------------	--------------------	--------------------

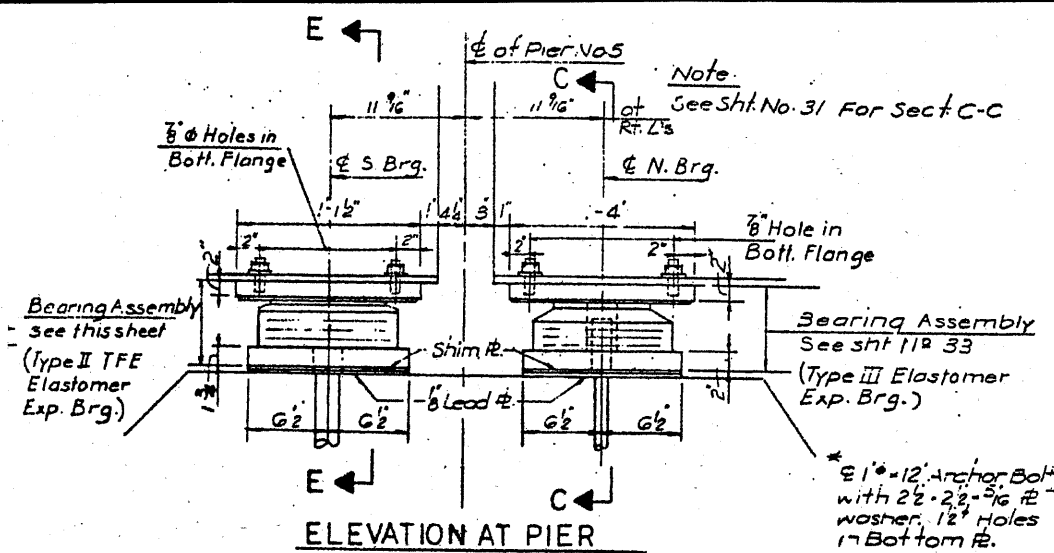
CONTRACT NO. 60L84



BOTTOM BEARING ASSEMBLY
BEARING ASSEMBLY AT PIER NO. 5 (S.B.) & 15 (N.B.)

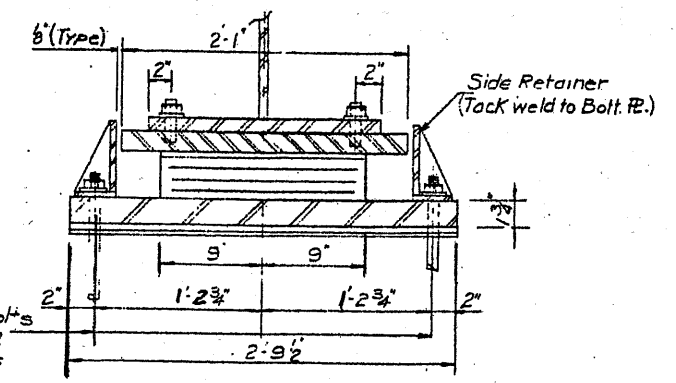


SIDE RETAINER

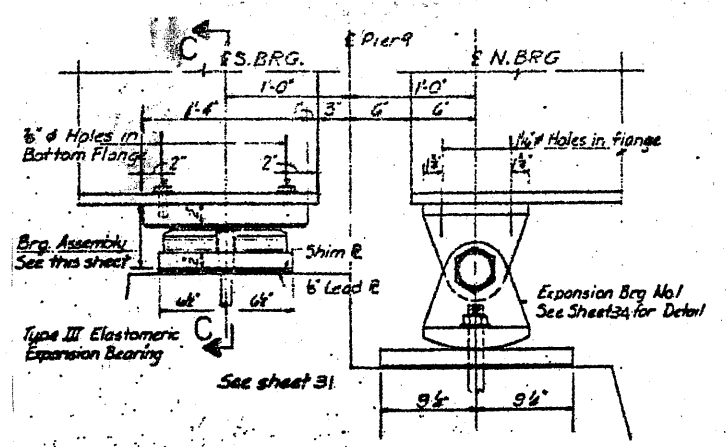


ELEVATION AT PIER

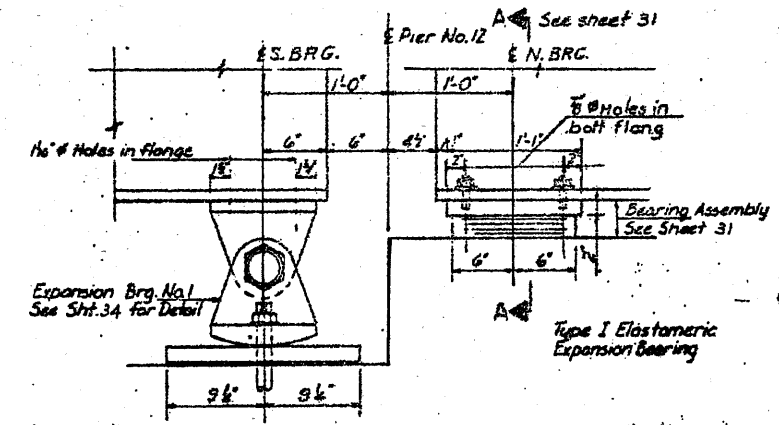
EXPANSION BEARING PIER NO. 5



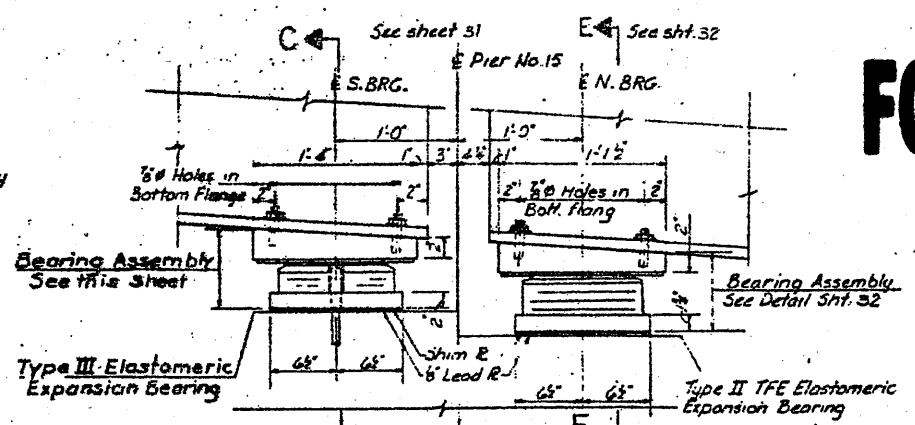
SECTION E-E



ELEVATION AT PIER
EXPANSION BEARINGS
AT PIER NO. 9

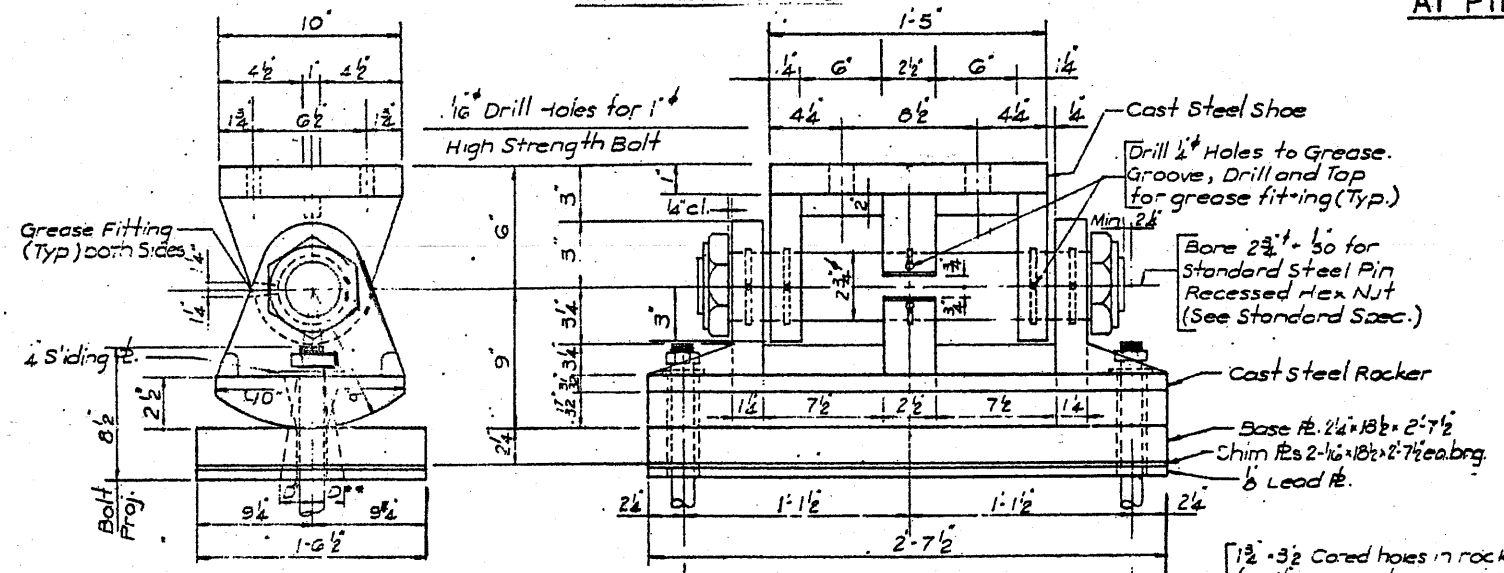


ELEVATION AT PIER
EXPANSION BEARINGS
AT PIER NO. 12

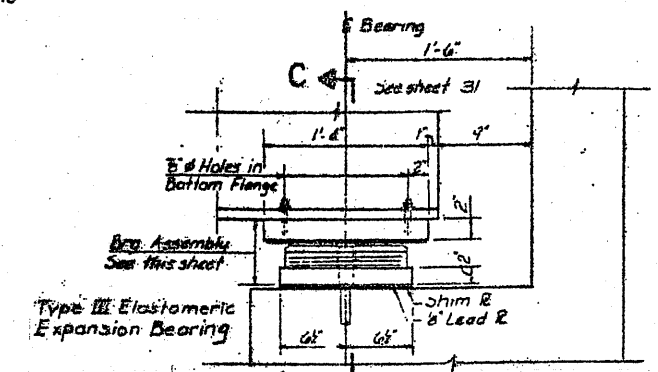


ELEVATION AT PIER
EXPANSION BEARINGS
AT PIER NO. 15

FOR INFORMATION ONLY



EXPANSION BEARING NO. 1
AT PIER NO. 9 (N.B.) AND NO. 12 (S.B.)



ELEVATION
EXPANSION BEARING
AT NORTH ABUTMENT

ILLINOIS DEPARTMENT OF
TRANSPORTATION

EXISTING BRIDGE PLAN
LOCATION 2: SN 016-2504