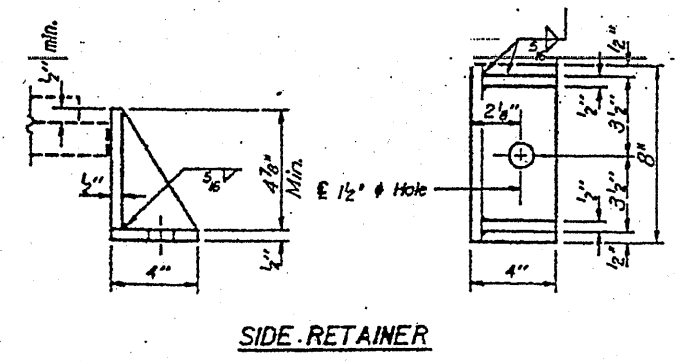
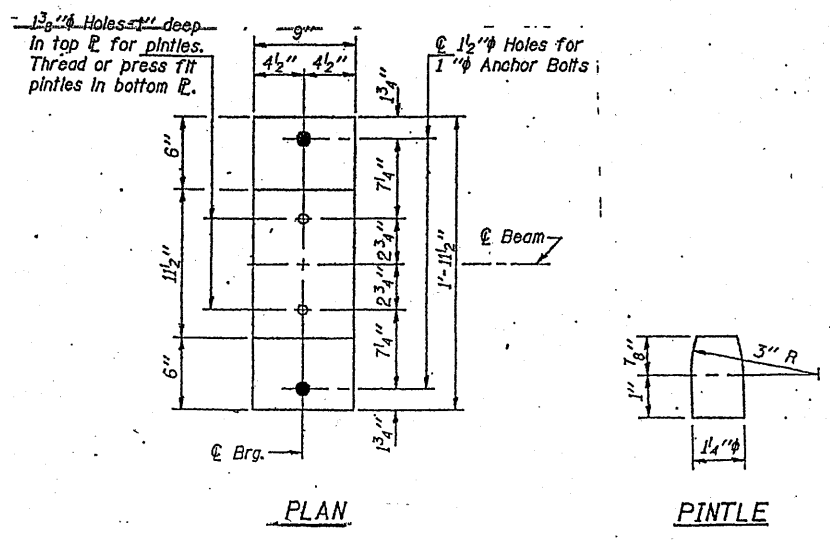
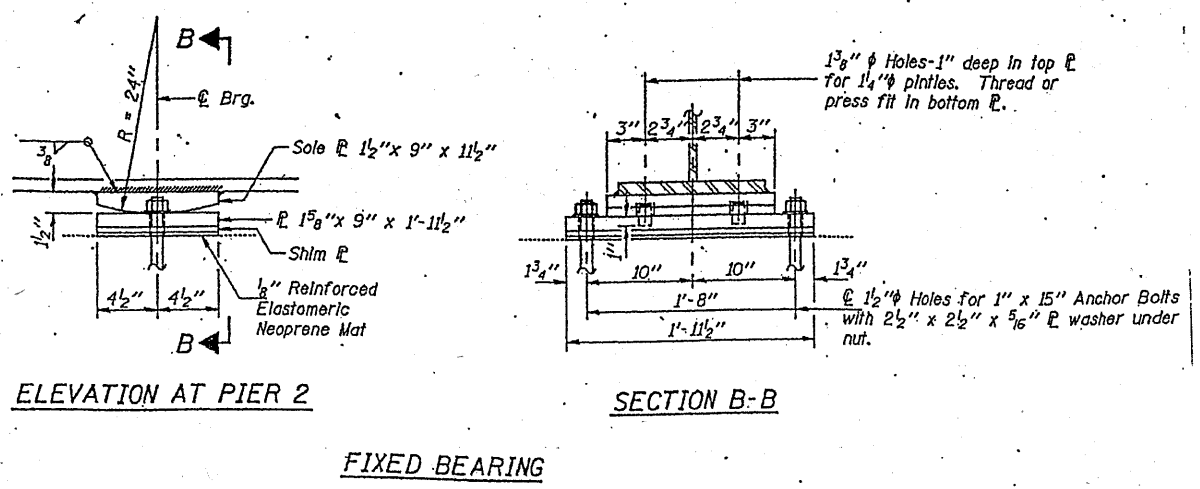
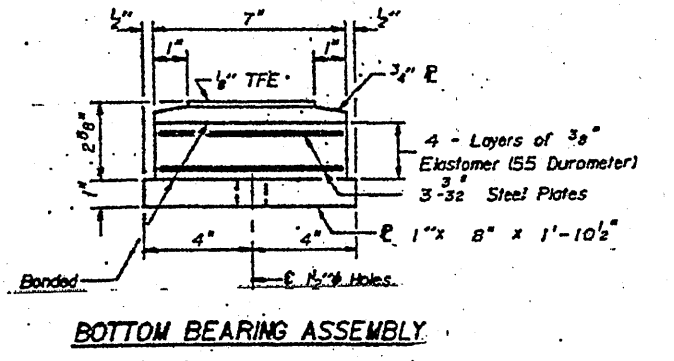
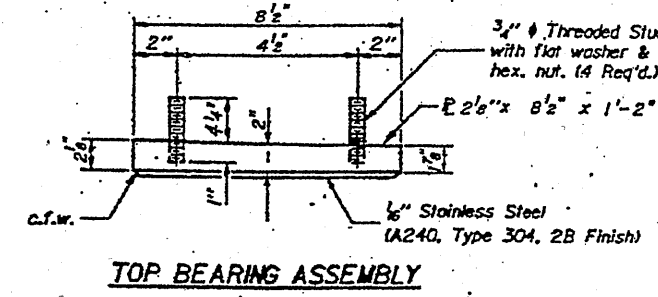
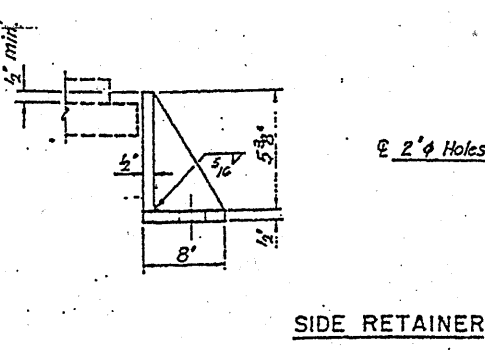
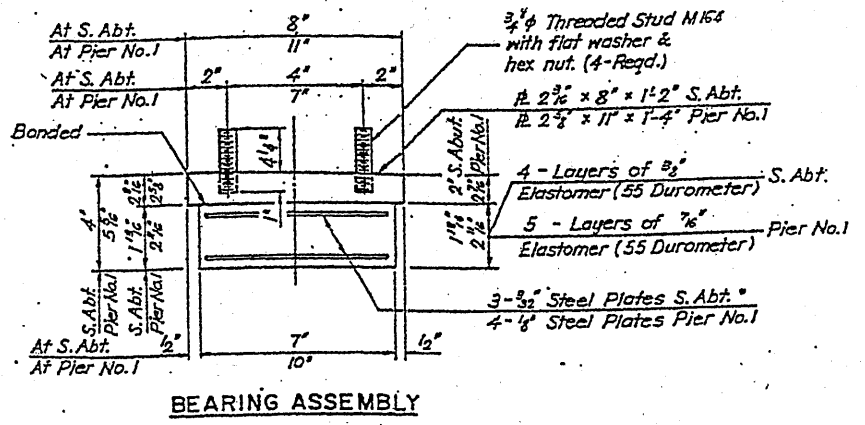
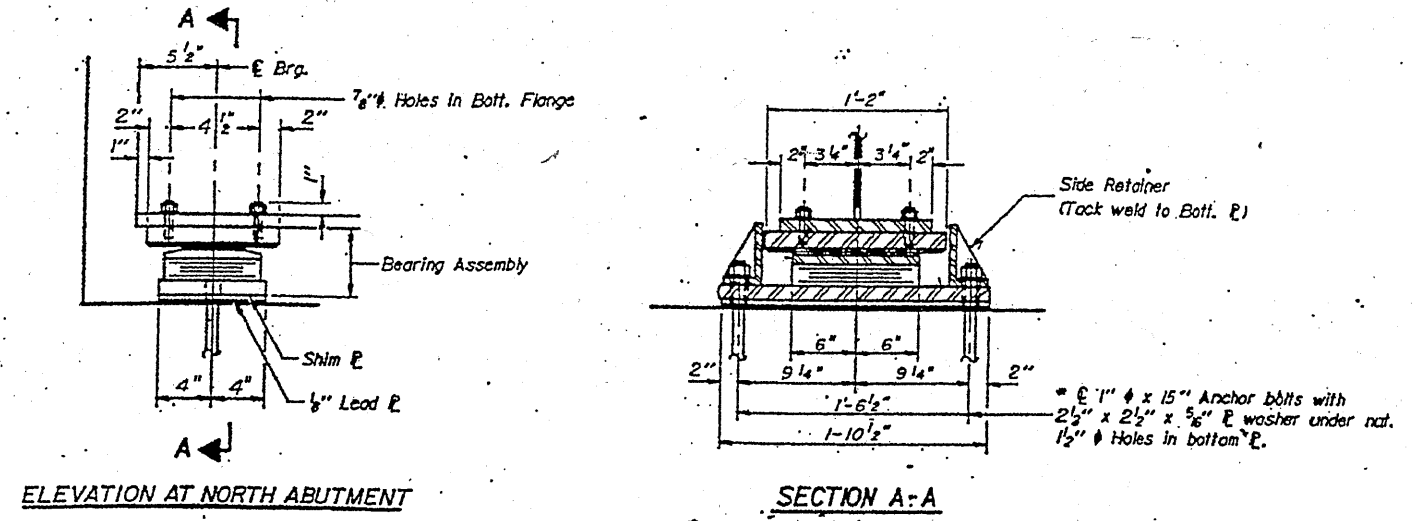
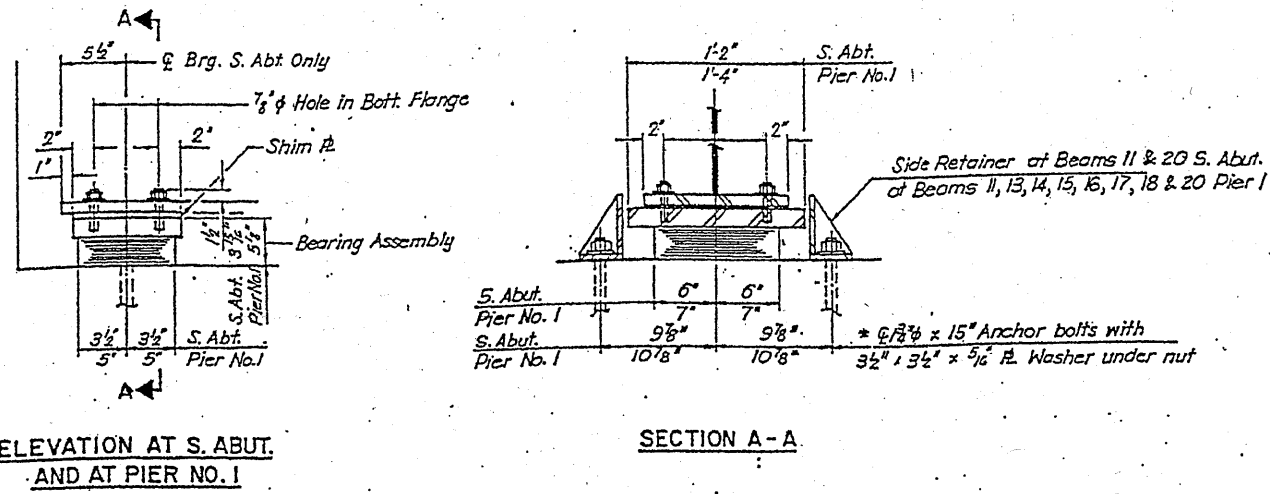


ROUTE FAI 94	SECTION 2010-089-BP	COUNTY COOK	TOTAL SHEETS 35	SHEET NUMBER 21
-----------------	------------------------	----------------	--------------------	--------------------

CONTRACT NO. 60L85



ILLINOIS DEPARTMENT OF
TRANSPORTATION

EXISTING BRIDGE PLAN
SN 016-0161 (BRIDGE 4)