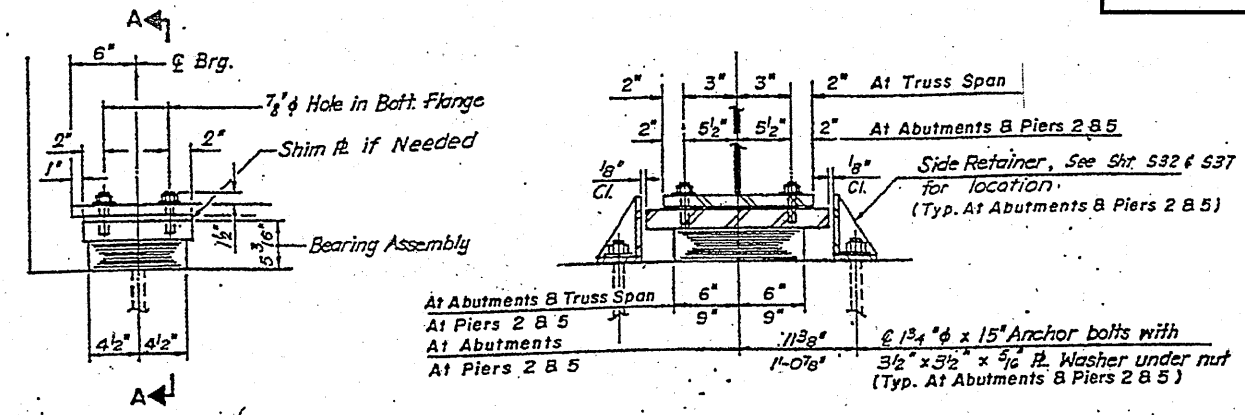


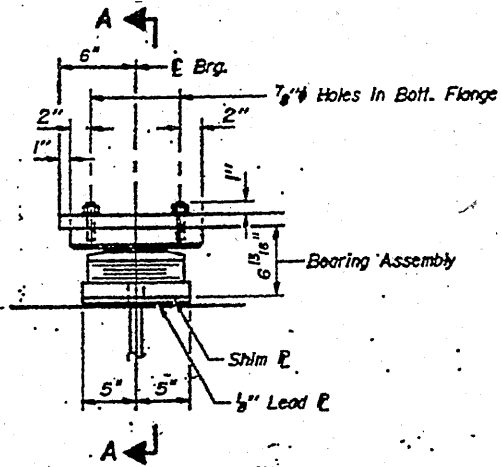
ROUTE FAI 94	SECTION 2010-089-BP	COUNTY COOK	TOTAL SHEETS 35	SHEET NUMBER 24
-----------------	------------------------	----------------	--------------------	--------------------

CONTRACT NO. 60L85



ELEVATION AT ABUT.  
3/32" REQUIRED

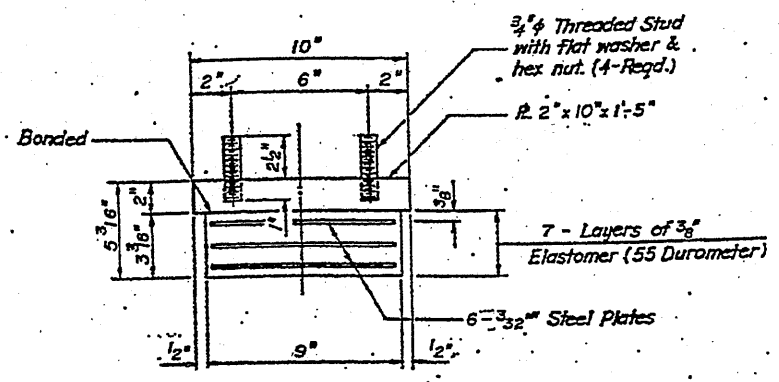
SECTION A-A



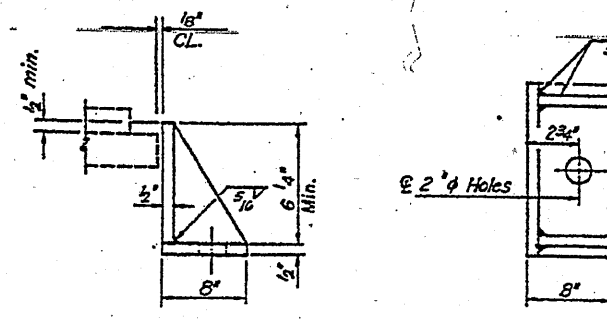
ELEVATION AT PIER NOS. 3 & 4

SECTION A-A

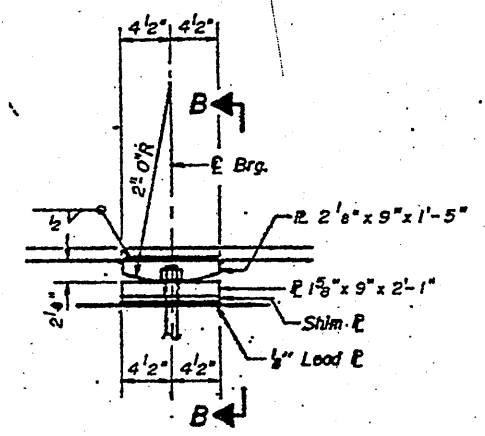
TYPE II TFE ELASTOMERIC EXP. BRG.



BEARING ASSEMBLY  
AT ABUTMENTS

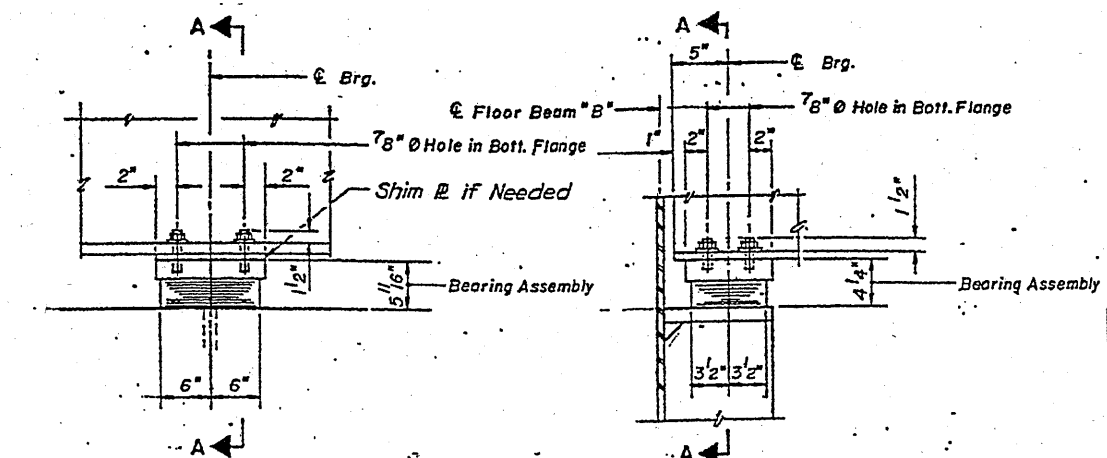


SIDE RETAINER  
AT ABUTMENTS & PIERS 2 & 5



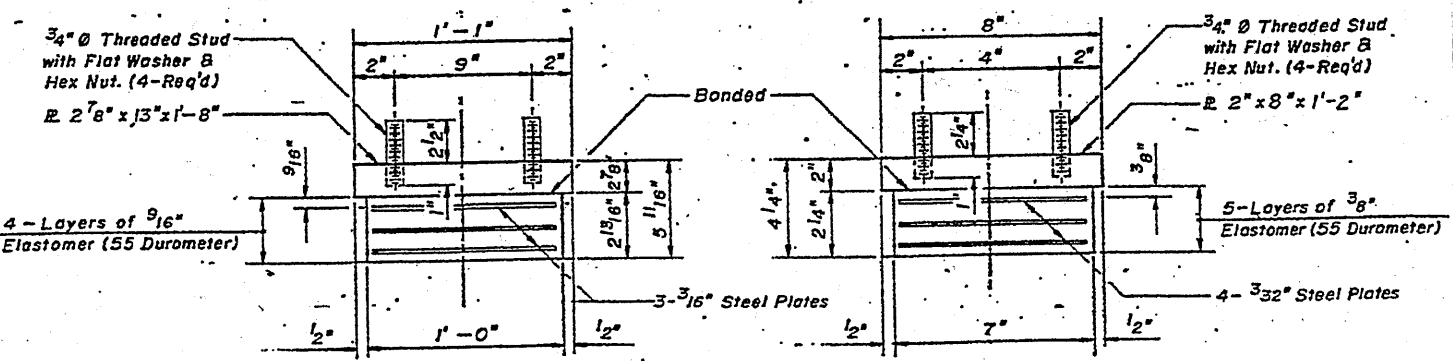
ELEVATION AT PIER NOS 1 & 6

SECTION B-B



ELEVATION AT PIER 2 & 5

TRUSS SPAN - STRINGER BEARING



BEARING ASSEMBLY  
AT PIER 2 & 5

BEARING ASSEMBLY  
AT TRUSS SPAN

SHEET 3 OF 6

ILLINOIS DEPARTMENT OF  
TRANSPORTATION  
  
EXISTING BRIDGE PLAN  
SN 016-0158, -159 (BRIDGE 5 & 6)