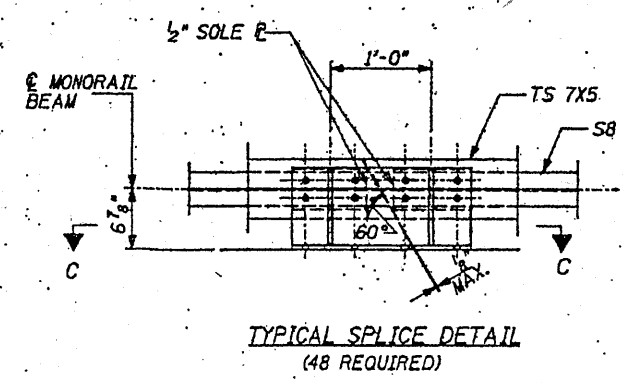
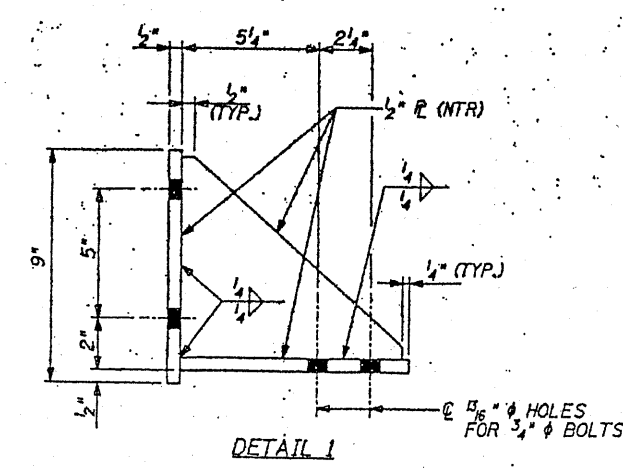
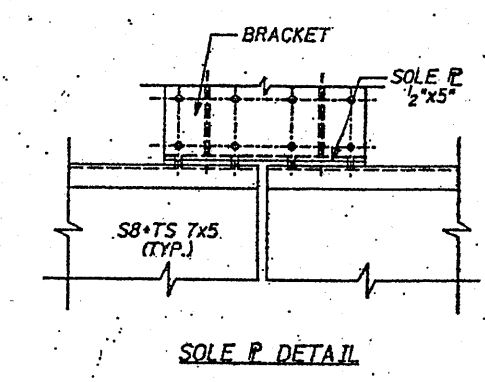
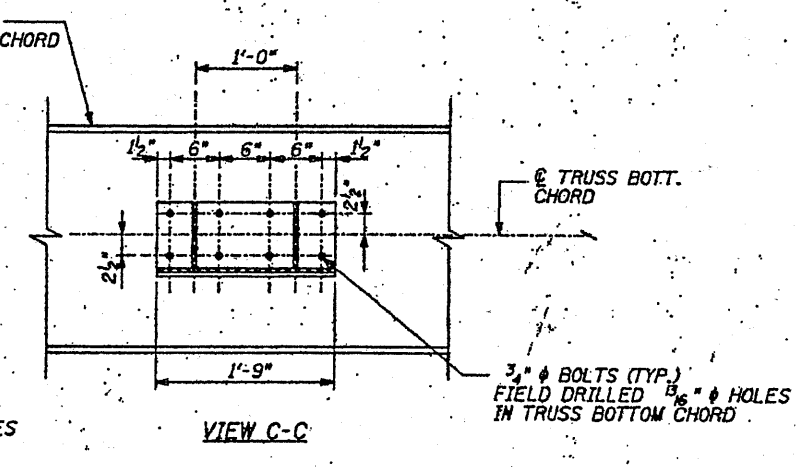
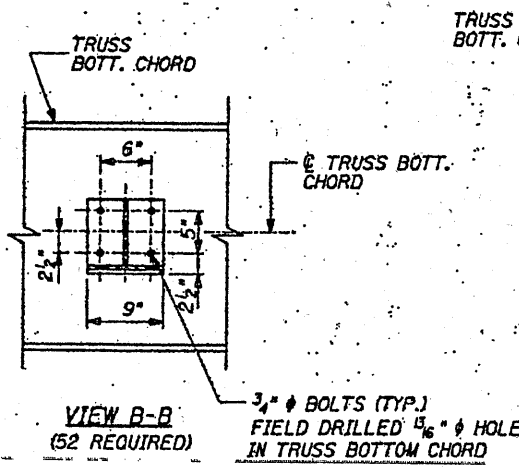
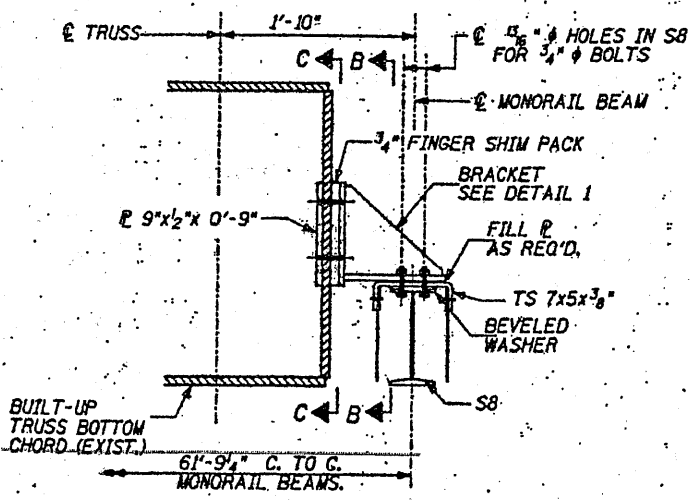
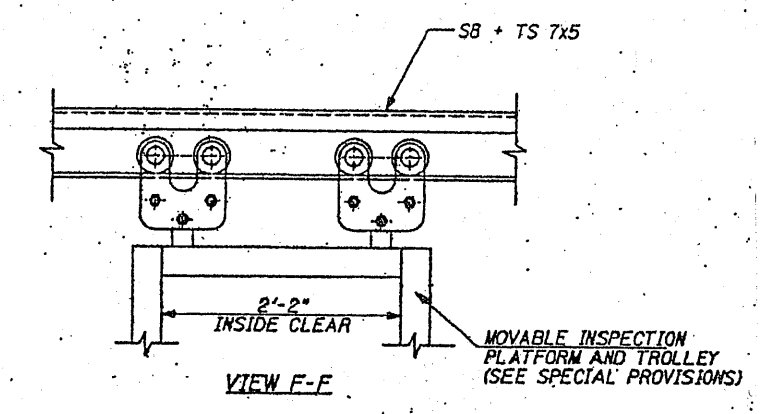
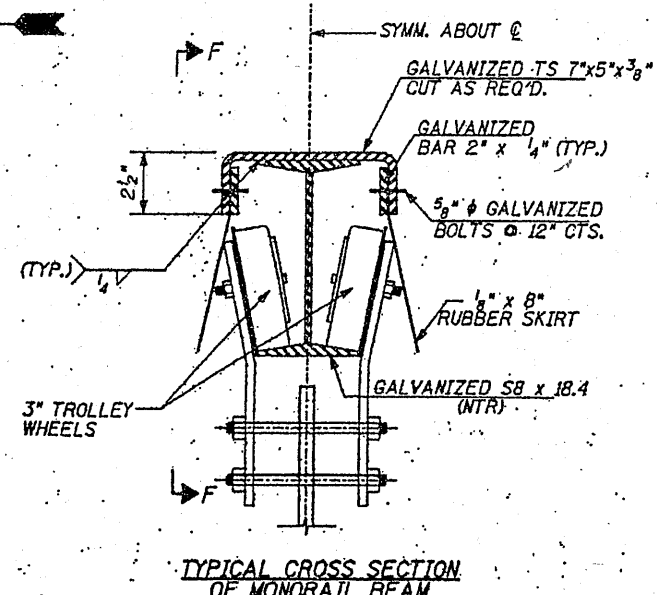
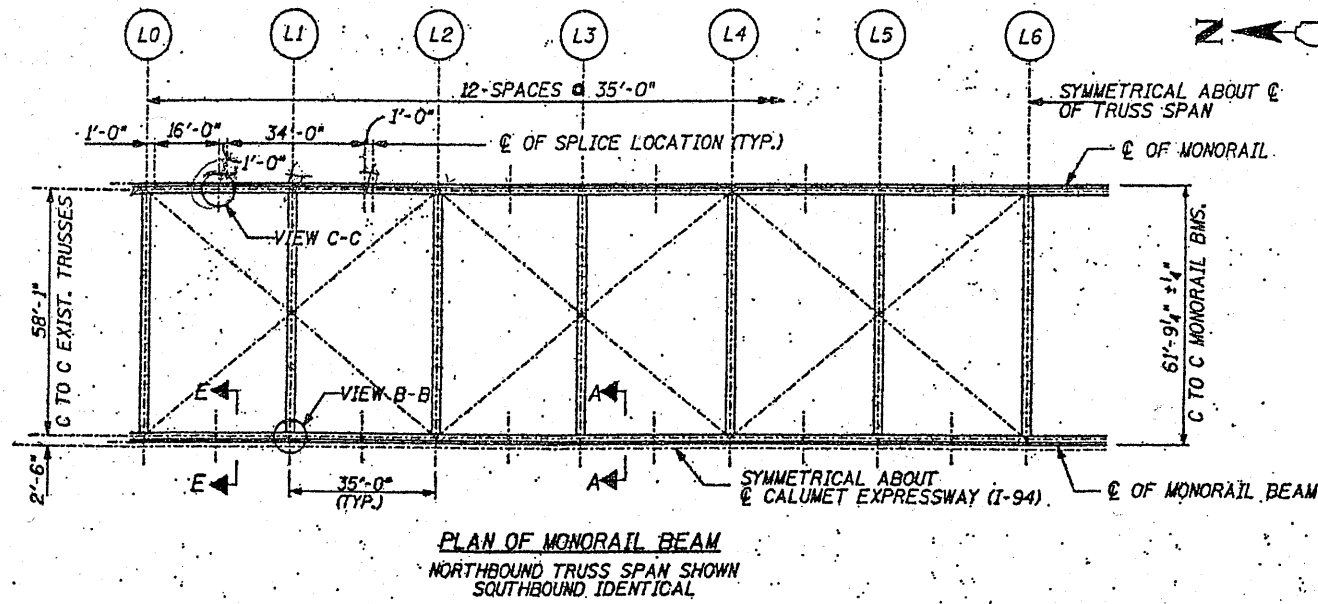


ROUTE FAI 94	SECTION 2010-089-BP	COUNTY COOK	TOTAL SHEETS 35	SHEET NUMBER 26
-----------------	------------------------	----------------	--------------------	--------------------

CONTRACT NO. 60L85



SHEET 5 OF 6

ILLINOIS DEPARTMENT OF
TRANSPORTATION

EXISTING BRIDGE PLAN
SN 016-0158, -159 (BRIDGE 5 & 6)