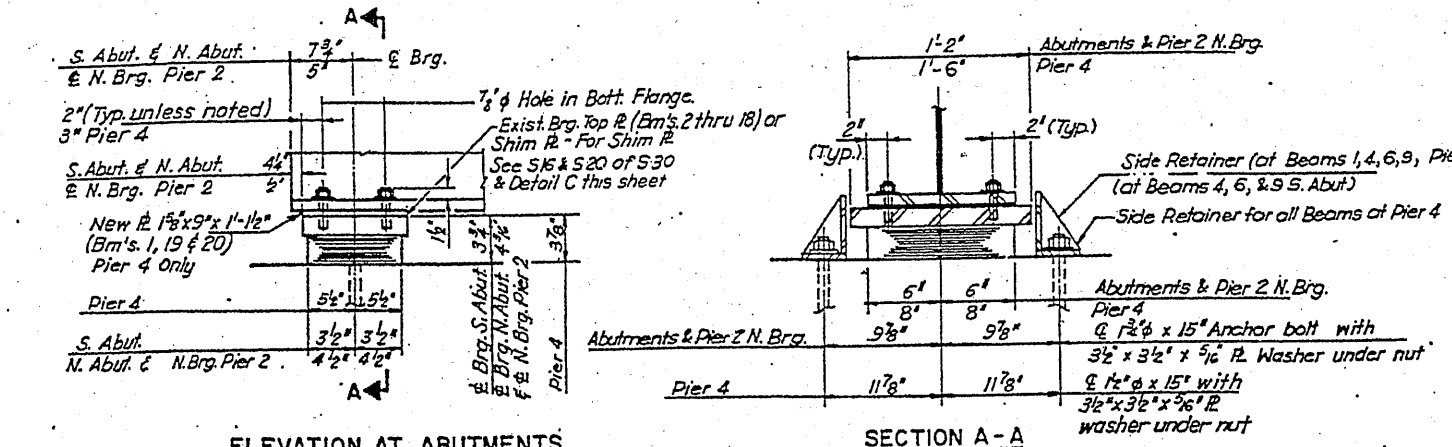
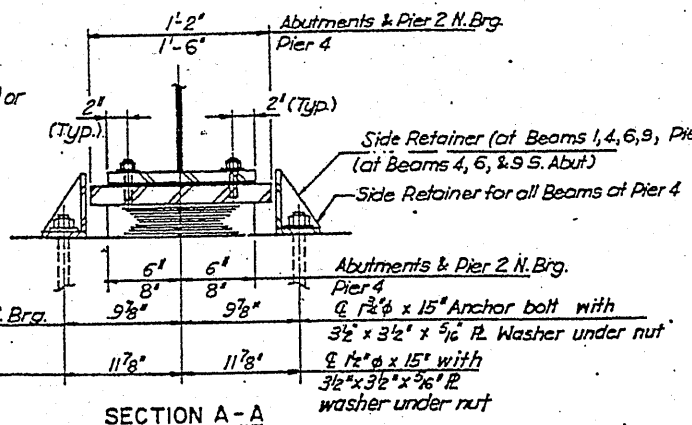


ROUTE FAI 94	SECTION 2010-089-BP	COUNTY COOK	TOTAL SHEETS 35	SHEET NUMBER 37
-----------------	------------------------	----------------	--------------------	--------------------

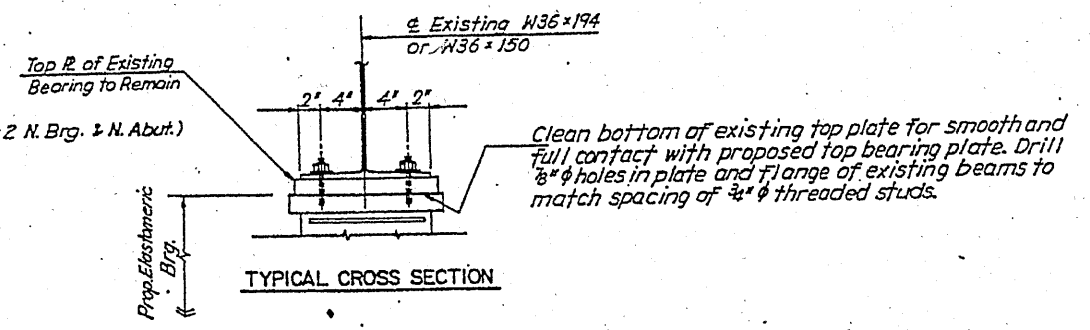
CONTRACT NO. 60L85



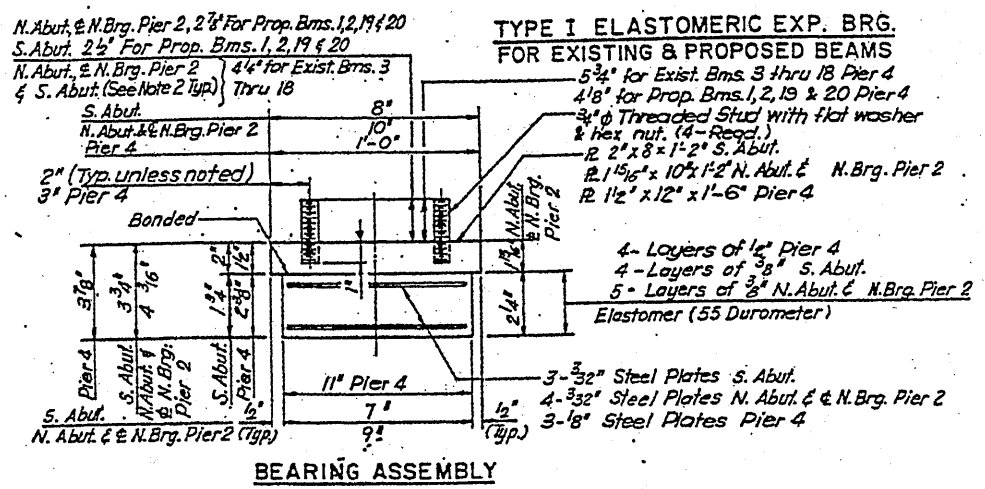
ELEVATION AT ABUTMENTS & PIER 2 - N. BEARING & PIER 4



SECTION A-A

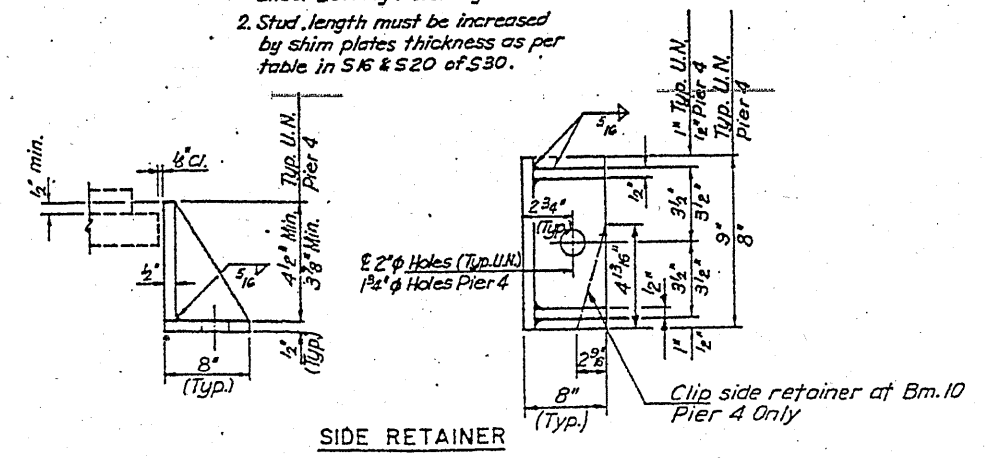


TYPICAL CROSS SECTION

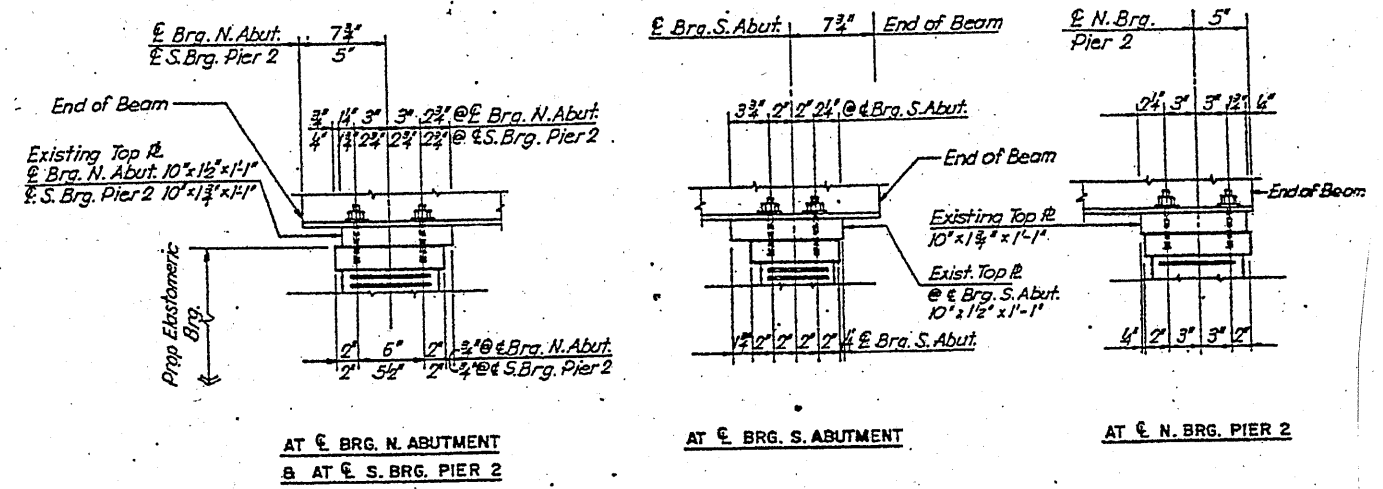


BEARING ASSEMBLY

Note: 1. Shim plates shall not be placed under Bearing Assembly.  
2. Stud length must be increased by shim plates thickness as per table in S16 & S20 of S30.



SIDE RETAINER



PROPOSED ELASTOMERIC BEARING ASSEMBLY CONNECTION TO EXISTING BEAM TOP BEARING PLATES

DETAIL C

SHEET 4 OF 4

ILLINOIS DEPARTMENT OF TRANSPORTATION  
EXISTING BRIDGE PLAN  
SN 016-0160 (BRIDGE 7)