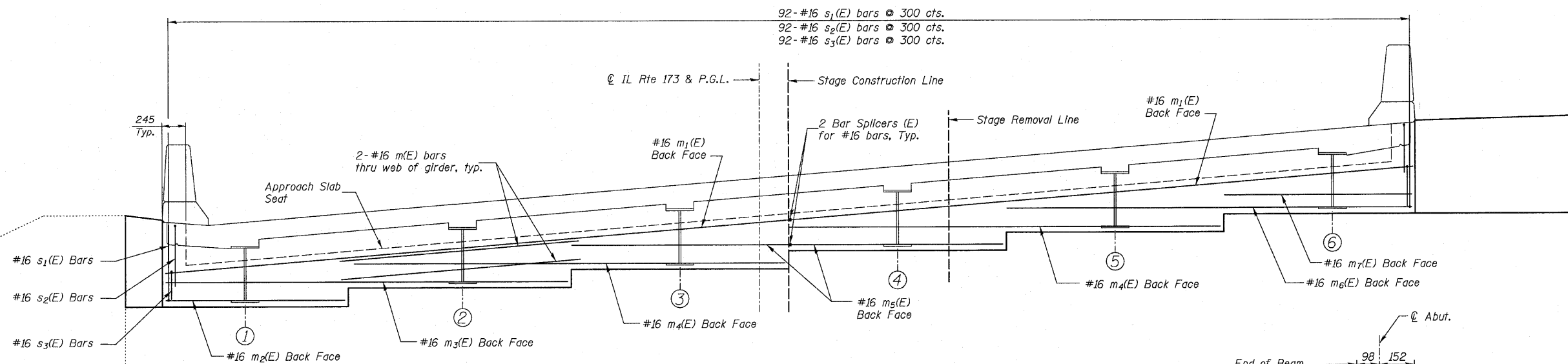


STATE OF ILLINOIS  
DEPARTMENT OF TRANSPORTATION

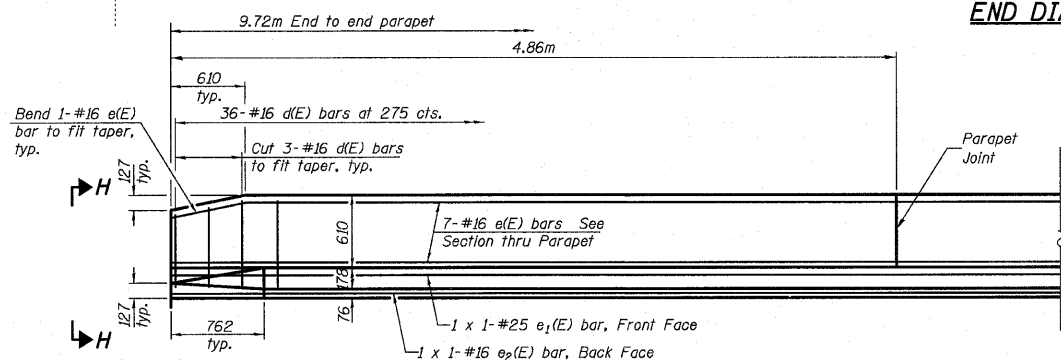
ROUTE NO.	SECTION	COUNTY	TOTAL SHEETS	SHEET NO.
FAP 303 IL. 173	134(B&B-2)R-1	LAKE	137	71
FED. ROAD DIST. NO. 7	ILLINOIS	FED. AID PROJECT-		

SHEET NO. 8  
17 SHEETS

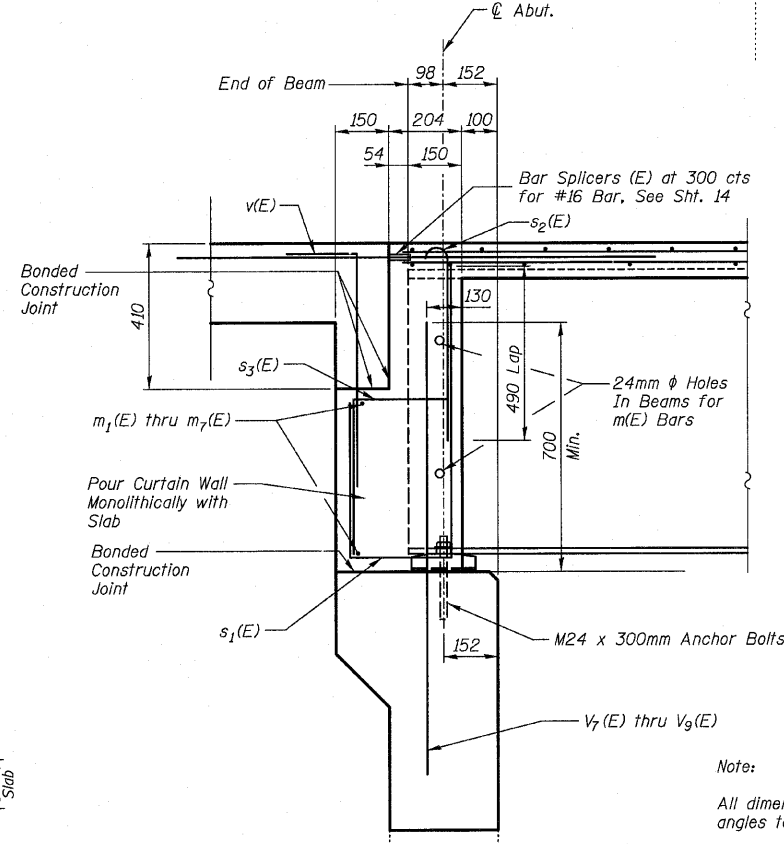


**END DIAPHRAGM AT ABUTMENT**

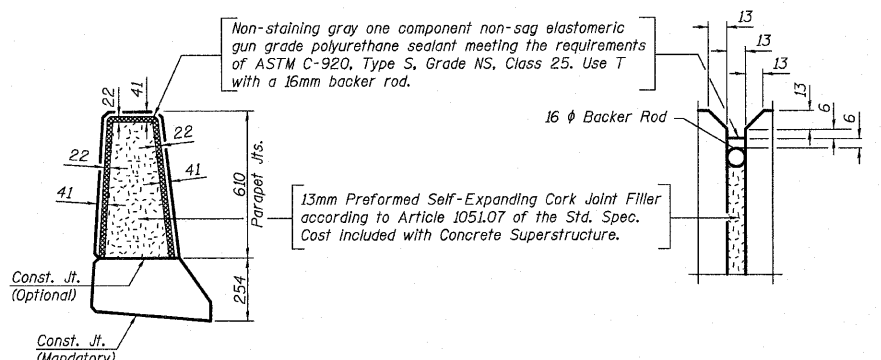
Looking East  
East Abutment Shown  
West Abutment Similar



**INSIDE ELEVATION OF PARAPET**

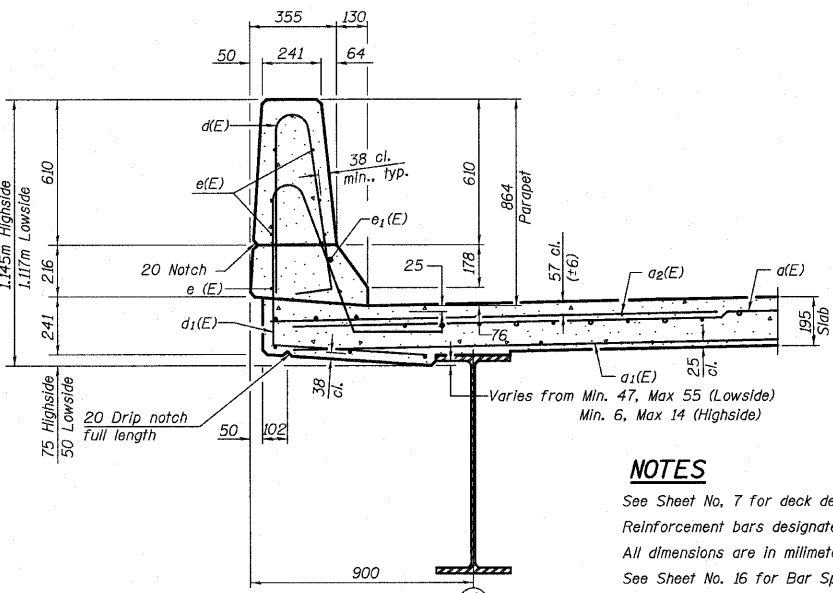


Note:  
All dimensions at right angles to abutment.



**PARAPET JOINT DETAILS**

DESIGNED	PAT2
CHECKED	RCJ/JRF
DRAWN	RDS
CHECKED	PAT2



**SECTION THRU PARAPET**

Lowside Shown  
Highside Similar

**NOTES**

See Sheet No. 7 for deck details and Bill of Material.  
Reinforcement bars designated (E) shall be epoxy coated.  
All dimensions are in millimeters (mm) except as noted.  
See Sheet No. 16 for Bar Splicer Details.  
See Sheet No. 10 for View H-H

**SUPERSTRUCTURE DETAILS**  
FAP 303 IL. ROUTE 173  
OVER WEST BOAT CHANNEL  
SECTION 134(B&B-2)R-1  
LAKE COUNTY  
STATION 25+098.390  
STRUCTURE NO. 049-0055

**SECTION A-A**

3117-04-9-02095.DGN